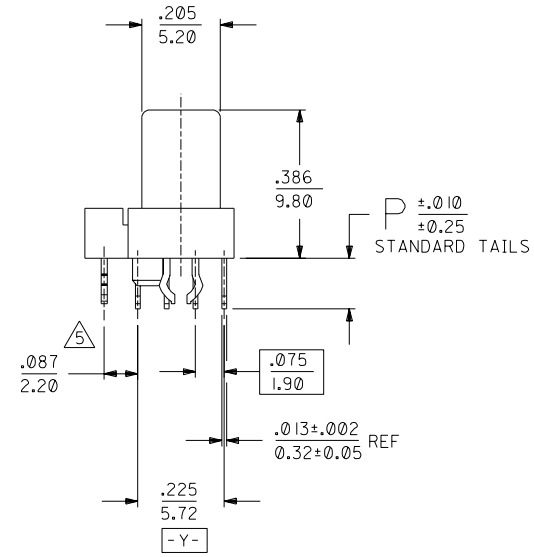
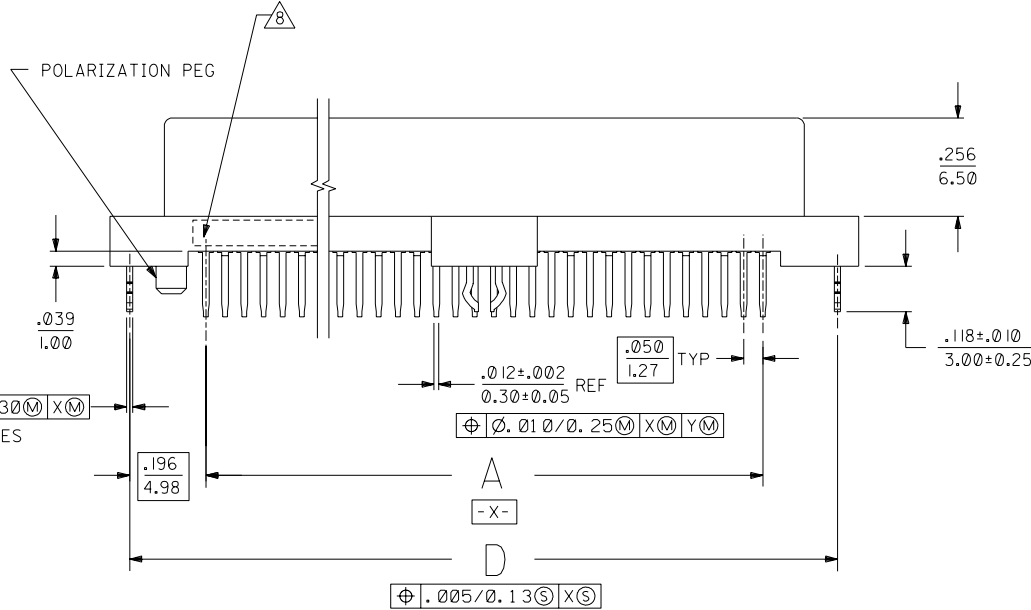
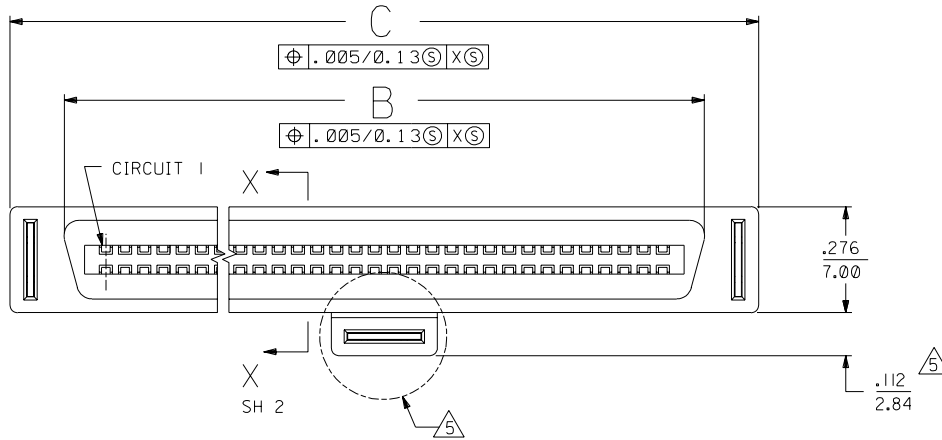


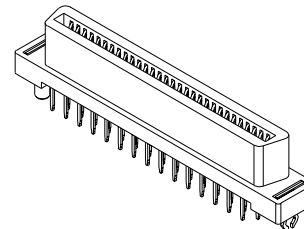
NOTES:

- 1) MATERIALS:  
HOUSING- LCP, GLASS FILLED, 94V-0, BLACK.  
TERMINALS- COPPER ALLOY  
METAL PEGS- COPPER ALLOY
- 2) FINISH:  
TERMINALS:  
.000030/(0.00076) MINIMUM GOLD IN CONTACT AREA OVER  
.000050/(0.00127) MINIMUM TIN IN TAIL AREA OVER  
.000075/(0.00191) MINIMUM NICKEL UNDERPLATE OVERALL.
- 3) ASSEMBLY MATES WITH MOLEX P/N SDA-71661-\*\*\*\*.
- 4) CONFORMS TO PRODUCT SPECIFICATION PS-71660.
- 5 CENTER PEG IS ONLY ON 120 AND 130 CIRCUIT ASSEMBLIES.
- 6 RECOMMENDED P.C. BOARD THICKNESS IS .062 (1.6).
- 7 CONNECTOR WILL ACCEPT MATING TO A P.C. BOARD WITH A THICKNESS OF .062±.003.
- 8 FOUR DIGIT DATE CODE (WK YR), EXAMPLE => 26 96 LOCATED IN AREA INDICATED.
- 9 PRODUCT TO BE PACKAGED IN TUBES



NOTE FOR LEAD FREE CONVERSION:

THE PRIMARY SHIPPING CARTON WILL BE LABELED "COMPLIANT TO RoHS DIRECTIVE 2002/95/EC AND ELV ANNEX II OF DIRECTIVE 2000/53/EC". CARTONS WITHOUT THIS LABEL MAY CONTAIN PRODUCT WITH LEAD.



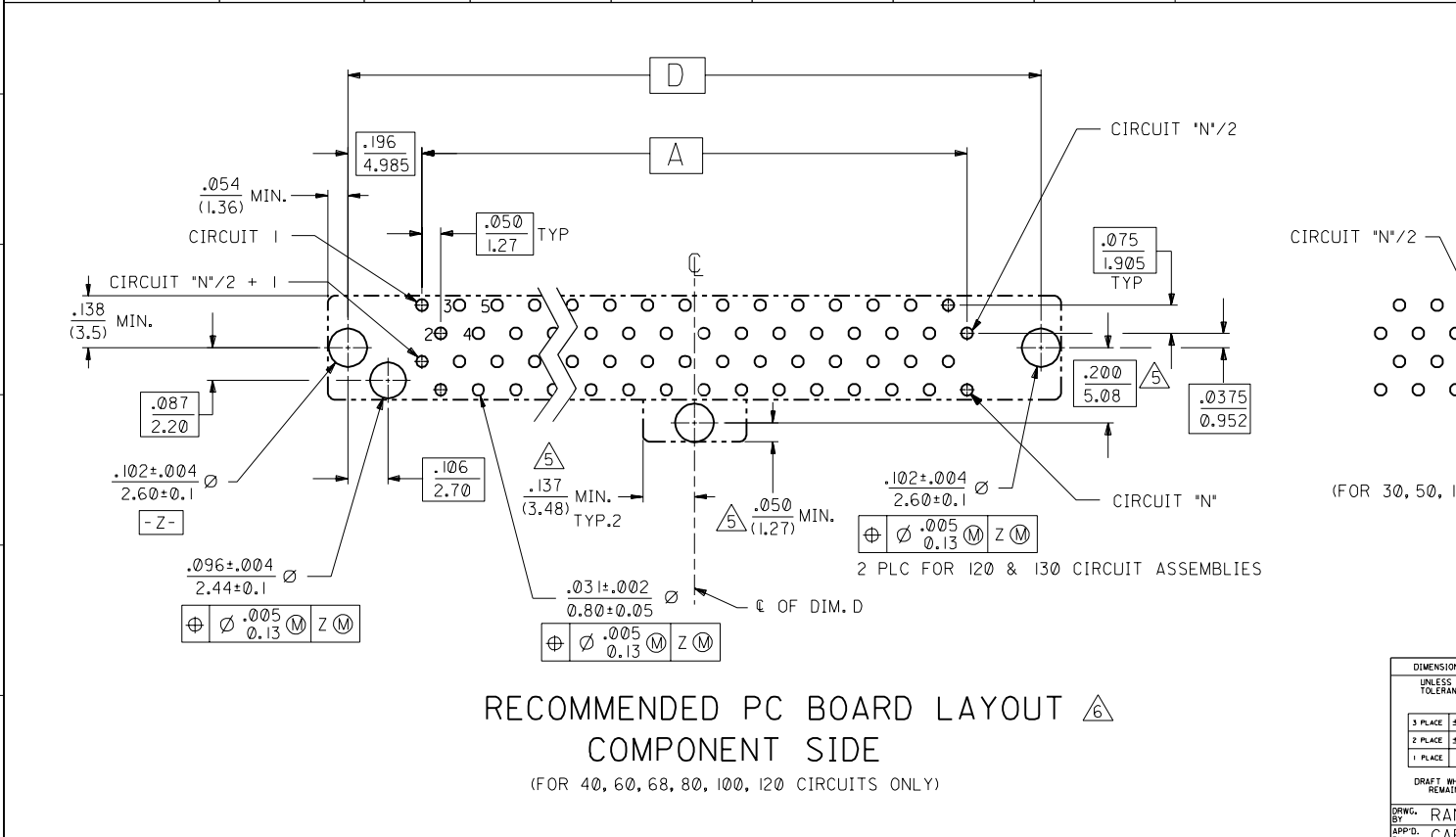
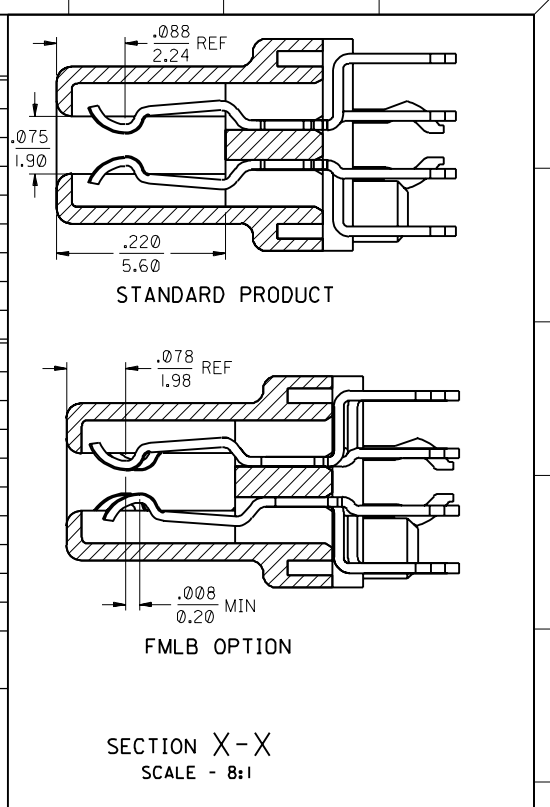
60 CIRCUIT ASSEMBLY SHOWN  
SCALE 2:1

M	LEAD FREE CONV ECN UCP2004-2096 RKADAMS 04/04/29
L	REVISED PER UDT 2000-1231 ACHAMMER 00/06/07
K1	REVISED PER ECN UDT1980199 STANISLA 98/4/21
K	REVISED PER ECN U81353 ACHAMMER 97-12-16
J	REVISED PER ECN U10802 WHETSTON 97-1-16
I	REVISED PER ECN U70090 ACHAMMER 96/7/26
H	REVISED PER ECN U60641 11-29-95 DRS
G	REVISED PER ECN U40506 4-15-94 RAN
F	REVISED PER ECN U30614 5-27-93 RAN
E	REVISED PER ECN U30129 2-26-93 RAN
D	REVISED PER ECN U21449 10-12-92 RAN
C	REVISED PER ECN U21311 9-15-92 RAN
B	REVISED PER ECN U21138 8-7-92 RAN
A	INITIAL RELEASE PER ECN U20866 6-20-92 RAN

2	K1			
1	M			
MFG.	SH.	REV.	LTR.	REVISIONS

DIMENSIONS SHOWN (METRIC) INCH UNLESS OTHERWISE SPECIFIED TOLERANCES: ANGULAR ± 1/2°		▽ = 0		= 0		REVISE ONLY ON CAD SYSTEM	
3 PLACE	± .005	---	---	TITLE SALES ASSEMBLY MOLEX EBBI 50D VERTICAL RECEPTACLE CONNECTOR			
2 PLACE	± .01	± 0.13	---	MOLEX INCORPORATED SHEET NO. DATE U.S.A. 1 OF 2 6/15/92			
1 PLACE	---	± 0.25	---	PART NO. DRWG. NO. SEE TABLE SDA-71660-1***			
DRWG. BY	RAN	CHK'D. BY	RAN	FILE NAME	THIS DRAWING CONTAINS INFORMATION THAT IS PROPRIETARY TO MOLEX INC. AND SHOULD NOT BE USED WITHOUT WRITTEN PERMISSION		
APP'D. BY	CAB	SCALE	4: 1	ST1660X1	SIZE	C	C

ENGINEERING NUMBER	EDP NUMBER	CKT ('N')	A	B	C	D	P	ADVANCED TERMINALS / CKTS SEE SECTION X-X "FMLB OPT"
SDA-71660-1030	015-92-1030	30	.700 (17.78)	.918 (23.32)	1.199 (30.45)	1.092 (27.75)	.134 (3.40)	N/A
SDA-71660-1040	015-92-1040	40	.950 (24.13)	1.168 (29.67)	1.449 (36.80)	1.342 (34.10)	.134 (3.40)	N/A
SDA-71660-1050	015-92-1050	50	1.200 (30.48)	1.418 (36.02)	1.699 (43.15)	1.592 (40.45)	.134 (3.40)	N/A
SDA-71660-1060	015-92-1060	60	1.450 (36.83)	1.668 (42.37)	1.949 (49.50)	1.842 (46.80)	.134 (3.40)	N/A
SDA-71660-1068	015-92-1068	68	1.650 (41.91)	1.868 (47.45)	2.149 (54.58)	2.042 (51.88)	.134 (3.40)	N/A
SDA-71660-1080	015-92-1080	80	1.950 (49.53)	2.168 (55.07)	2.449 (62.20)	2.342 (59.50)	.134 (3.40)	N/A
SDA-71660-1100	015-92-1100	100	2.450 (62.23)	2.668 (67.77)	2.949 (74.90)	2.842 (72.20)	.134 (3.40)	N/A
SDA-71660-1120	015-92-1120	120	2.950 (74.93)	3.168 (80.47)	3.449 (87.60)	3.342 (84.90)	.134 (3.40)	N/A
SDA-71660-1130	015-92-1130	130	3.200 (81.28)	3.418 (86.82)	3.699 (93.95)	3.592 (91.25)	.134 (3.40)	N/A
SDA-71660-1330	015-92-1430	30	.700 (17.78)	.918 (23.32)	1.199 (30.45)	1.092 (27.75)	.110 (2.79)	N/A
SDA-71660-1340	015-92-1440	40	.950 (24.13)	1.168 (29.67)	1.449 (36.80)	1.342 (34.10)	.110 (2.79)	N/A
SDA-71660-1350	015-92-1450	50	1.200 (30.48)	1.418 (36.02)	1.699 (43.15)	1.592 (40.45)	.110 (2.79)	N/A
SDA-71660-1360	015-92-1460	60	1.450 (36.83)	1.668 (42.37)	1.949 (49.50)	1.842 (46.80)	.110 (2.79)	N/A
SDA-71660-1368	015-92-1468	68	1.650 (41.91)	1.868 (47.45)	2.149 (54.58)	2.042 (51.88)	.110 (2.79)	N/A
SDA-71660-1380	015-92-1480	80	1.950 (49.53)	2.168 (55.07)	2.449 (62.20)	2.342 (59.50)	.110 (2.79)	N/A
SDA-71660-1400	015-92-1500	100	2.450 (62.23)	2.668 (67.77)	2.949 (74.90)	2.842 (72.20)	.110 (2.79)	N/A
SDA-71660-1401	015-92-1501	100	2.450 (62.23)	2.668 (67.77)	2.949 (74.90)	2.842 (72.20)	.110 (2.79)	N/A
SDA-71660-1420	015-92-1520	120	2.950 (74.93)	3.168 (80.47)	3.449 (87.60)	3.342 (84.90)	.110 (2.79)	N/A
SDA-71660-1430	015-92-1530	130	3.200 (81.28)	3.418 (86.82)	3.699 (93.95)	3.592 (91.25)	.110 (2.79)	N/A
SDA-71660-1550	015-92-1550	50	1.200 (30.48)	1.418 (36.02)	1.699 (43.15)	1.592 (40.45)	.134 (3.40)	2-4, 8-11, 14, 17, 20, 23, 26-29, 31, 32, 34, 36, 39, 42, 45, 48, 49



71660

CIRCUIT "N/2"

CIRCUIT "N"

(FOR 30, 50, 130 CIRCUITS ONLY)

MFG.	SH.	REV.	LTR.	REVISIONS
				SEE SHEET 1

DIMENSIONS SHOWN (METRIC) INCH		UNLESS OTHERWISE SPECIFIED TOLERANCES ANGULAR ± 1/2°	
INCH	METRIC	INCH	METRIC
3 PLACE ± .005	---	---	---
2 PLACE ± .01	± 0.13	---	---
1 PLACE ---	± 0.25	---	---

SALES ASSEMBLY  
MOLEX EBBI 500 VERTICAL  
RECEPTACLE CONNECTOR

MOLEX INCORPORATED  
1151E, ILL. 60532 U.S.A.

SHEET NO. 2 DATE 6/15/92

SEE TABLE SDA-71660-1

DRWG. NO. SDA-71660-1

FILE NAME 571660X1

THIS DRAWING CONTAINS INFORMATION THAT IS PROPRIETARY TO MOLEX INC. AND SHOULD NOT BE USED WITHOUT WRITTEN PERMISSION.