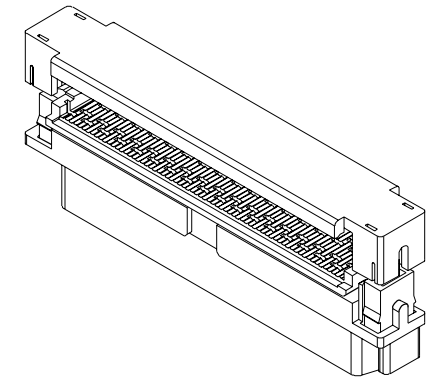
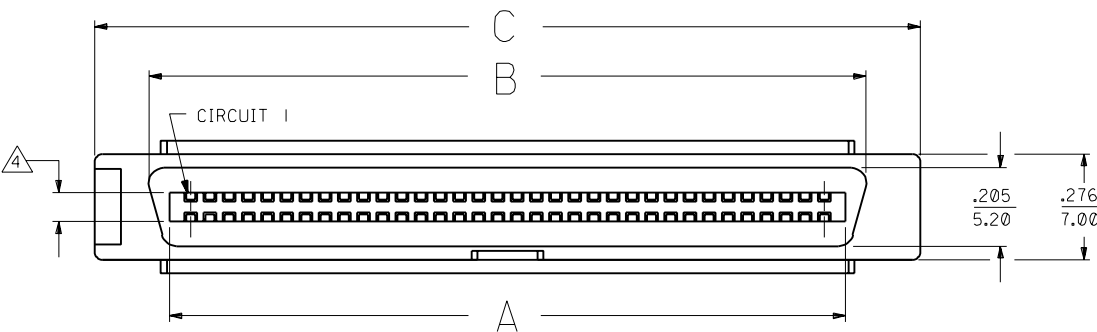
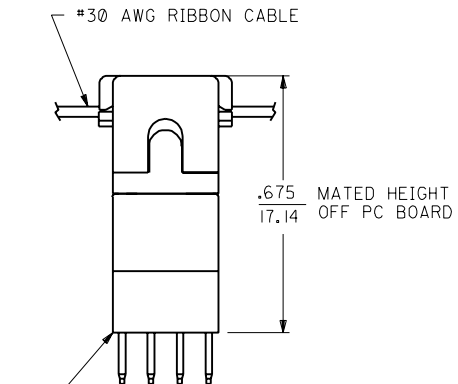
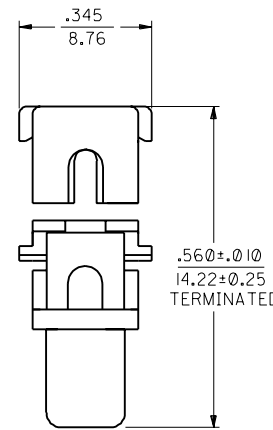
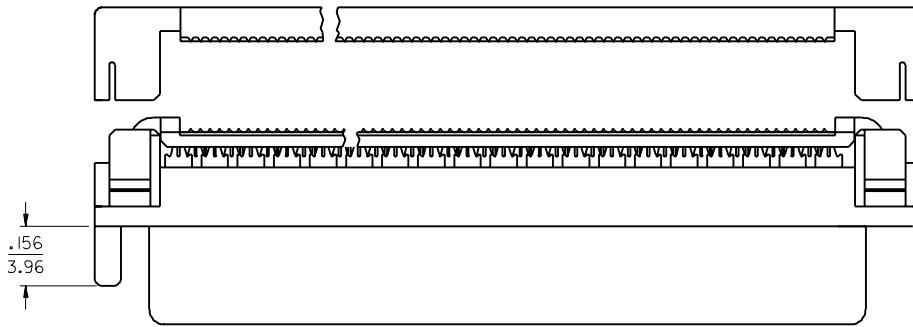


NOTES:

- 1) MATERIALS:  
HOUSING- LCP, GLASS FILLED, 94V-0, BLACK.  
ALIGNER, TERMINATION COVER- POLYESTER, GLASS FILLED, 94V-0, BLACK.  
TERMINALS- COPPER ALLOY
- 2) PLATING:  
.000030 IN. GOLD IN SELECTIVE CONTACT AREA OVER  
.000050-.000100 IN. NICKEL IN CONTACT AREA.  
.000100-.000200 IN. TIN-LEAD IN SOLDER TAIL AREA.
- 3) ASSEMBLY MATES WITH MOLEX P/N SDA-71661-\*\*\*\*.  
CONFORMS TO PRODUCT SPECIFICATION PS-71660.
- 4) CONNECTOR WILL ACCEPT MATING TO A P.C. BOARD WITH  
A THICKNESS OF .062±.003.
- 5) CONNECTOR WILL TERMINATE .025 C FLAT RIBBON CABLE,  
#30 AWG STRANDED OR SOLID, PVC INSULATION.
- 6) PRODUCT IS SHIPPED AS A KIT. THE HOUSING/ALIGNER SUB-ASSEMBLY  
IS SHIPPED TRAY PACKED. THE TERMINATION COVER IS  
SHIPPED BULK PACKED.



68 CIRCUIT AS SHOWN  
SCALE- 2:1



2.445 (62.10)	2.166 (55.02)	2.025 (51.43)	80	015-92-3080	SDA-71660-3080
2.145 (54.48)	1.866 (47.40)	1.725 (43.81)	68	015-92-3068	SDA-71660-3068
1.945 (49.40)	1.666 (42.32)	1.525 (38.74)	60	015-92-3060	SDA-71660-3060
1.695 (43.05)	1.416 (35.97)	1.275 (32.38)	50	015-92-3050	SDA-71660-3050
1.445 (36.70)	1.166 (29.62)	1.025 (26.04)	40	015-92-3040	SDA-71660-3040
1.195 (30.35)	.916 (23.27)	.775 (19.68)	30	015-92-3030	SDA-71660-3030
C	B	A	CKT	EDP NUMBER	ENGINEERING NUMBER

I	REVISE IDT GEOMETRY ECON UDT 2002-1013 DMORGAN 02/02/15
H	REVISED PER UDT 2000-1231 ACHAMMER 00/06/07
G	REVISED PER ECON U51587 6-19-96 DGA
F	REVISED PER ECON U60008 7-10-95 RAN
E	REVISED PER ECON U51108 5-5-95 RAN
D	REVISED PER ECON U50872 2-28-95 RAN
C	REVISED PER ECON U50793 2-10-95 RAN
B	REVISED PER ECON U50158 9-4-94 RAN
A	REVISED PER ECON U21513 10-27-92 RAN
I	X-RELEASE PER ECON U21493 10-9-92 RAN

DIMENSIONS SHOWN (METRIC) INCH		REVISIONS	
UNLESS OTHERWISE SPECIFIED TOLERANCES: ANGULAR ± 1/2°		MFG. SH. REV. LTR.	
INCH METRIC		REVISE ONLY ON CAD SYSTEM	
3 PLACE ± .005	---	TITLE	
2 PLACE ± .01	± 0.13	SALES ASSEMBLY EBBI VERTICAL IDT RECEPTACLE CONNECTOR	
1 PLACE ---	± 0.25	PART NO. SHEET NO. DATE	
DRAFT WHERE APPLICABLE MUST REMAIN WITHIN DIMENSIONS		MOLEX INCORPORATED U.S.A. 1 OF 1 8/15/92	
DRAWN BY: RAN		DRAWG. NO. SDA-71660-3	
CHECKED BY: CAB		FILE NAME: S71660X3	
APPROVED BY: CAB		SCALE: 4: 1	
		THIS DRAWING CONTAINS INFORMATION THAT IS PROPRIETARY TO MOLEX INC. AND SHOULD NOT BE USED WITHOUT WRITTEN PERMISSION.	