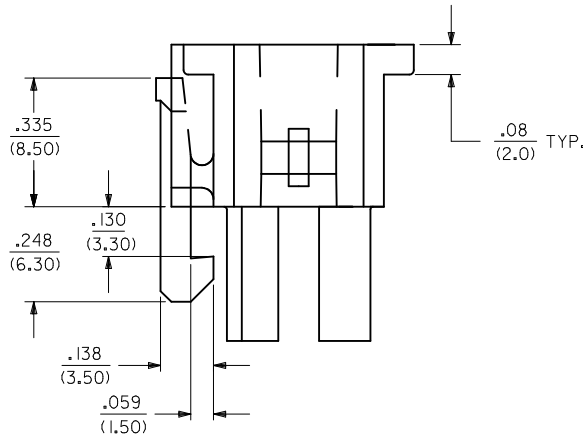
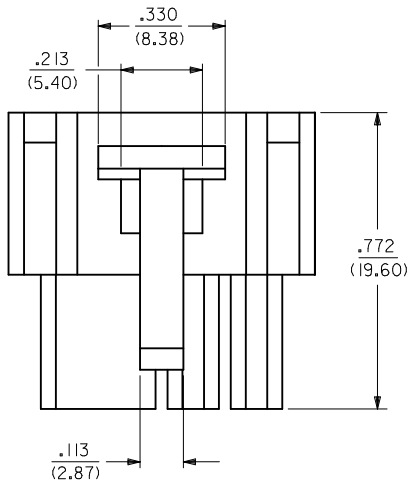
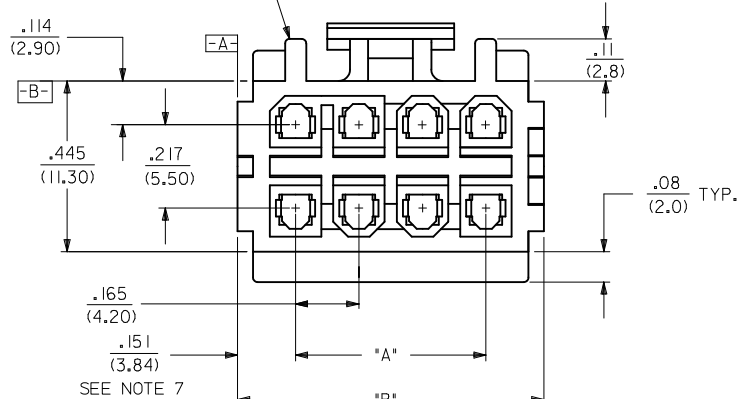


PROTECTIVE SIDES AVAILABLE ON ALL CIRCUITS EXCEPT TWO AND FOUR CIRCUITS.

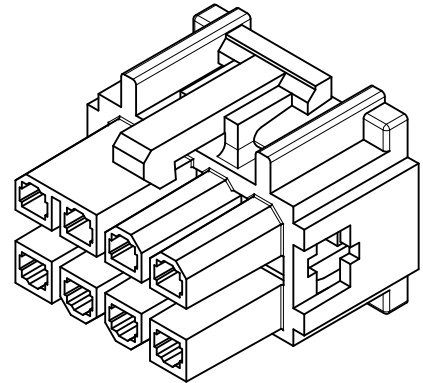
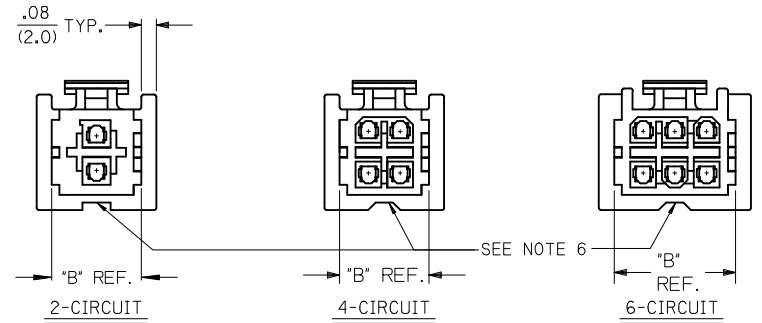
SEE NOTE 8



PROTECTIVE SIDES AVAILABLE ON ALL CIRCUITS EXCEPT TWO AND FOUR CIRCUITS.



SEE NOTE 7

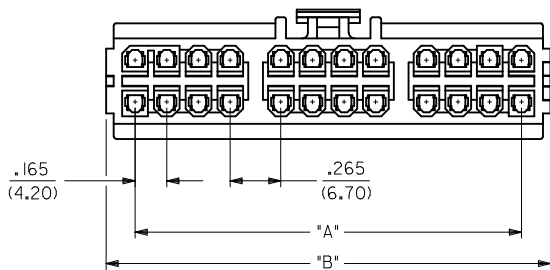


NOTES:

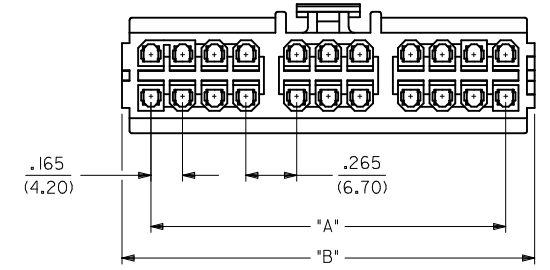
1. MATERIAL: UNFILLED POLYESTER, U.L. 94V-0. HOUSING COLOR: SEE CHART
2. FINISH: N/A
3. PRODUCT SPECIFICATION: PS-5556-003
4. PACKAGING SPECIFICATION: PK-30067-001.
5. HOUSING TO BE USED WITH TERMINAL #5556. AND T.P.A. LOCK #30072-\*, RECEPTACLE HOUSING TO MATE WITH PLUG HOUSING #30068, ST. HEADER #30069, AND RT. ANGLE HEADERS #30070 & #44483. HOUSING ACCEPTS CONNECTOR POSITIONING ASSURANCE (C.P.A.) LOCK #30071.
6. RELIEF NOTCH IS OPTIONAL AND MAY OR MAY NOT APPEAR ON 2, 4, 6, 10 & 12 CIRCUIT HOUSINGS ONLY.
7. FOR 2 CKT HOUSING, DIMENSION IS .231/5.88
8. FOR 2 & 4 CKT HOUSINGS, DIMENSION IS .070/1.78
9. THIS PART CONFORMS TO CLASS B REQUIREMENTS OF COSMETIC SPEC PS-45499-002.
10. CHAMFERS ARE OPTIONAL AND MAY OR MAY NOT BE PRESENT ON 16 CIRCUIT HOUSINGS.

<b>ADDED NOTE 10</b> EC NO: UCP2011-0234 DRWN: JAGUILAR 2010/08/25 CHKD: BELL 2010/08/25 APPR: FSMITH 2010/10/25	QUALITY SYMBOLS 	GENERAL TOLERANCES (UNLESS SPECIFIED)		DIMENSION STYLE <b>IN/MM</b>	SCALE <b>4:1</b>	DESIGN UNITS <b>INCH</b>	THIRD ANGLE PROJECTION
		4 PLACES ± --- ± --- 3 PLACES ± --- ± .010 2 PLACES ± .025 ± .014 1 PLACE ± 0.36 ± ---	DRAWN BY RJF DATE 09/23/91	CHECKED BY GEP DATE 09/23/91	APPROVED BY FSMITH DATE 2010/10/25	TITLE <b>2-24 CKT. RECPT. HSG. MINI-FIT T.P.A. SERIES</b>	<b>MOLEX INCORPORATED</b>
<b>H1</b>	DESCRIPTION <b>REVI</b>	DRAFT WHERE APPLICABLE MUST REMAIN WITHIN DIMENSIONS		MATERIAL NO. <b>SEE CHART</b>	THIS DRAWING CONTAINS INFORMATION THAT IS PROPRIETARY TO MOLEX INCORPORATED AND SHOULD NOT BE USED WITHOUT WRITTEN PERMISSION		

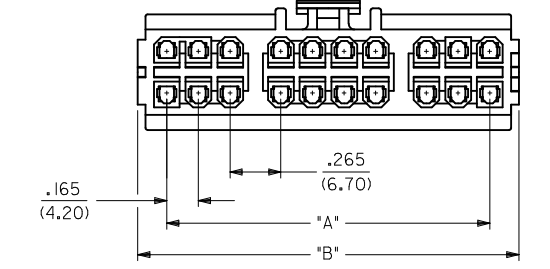
	13	12	11	10	9	8	7	6	5	4	3	2	1
	BLACK		NATURAL										
J	CKT. SIZE	ENG. NO.	EDP. NO.	ENG. NO.	EDP. NO.	DIM. "A"	DIM. "B"						
	02	30067-02A2	I5-97-502I	30067-0212	30067-0212	—	.467 (11.86)						
	04	30067-04A2	I5-97-504I	30067-0412	30067-0412	.165 (4.20)	.467 (11.86)						
I	06	30067-06A2	I5-97-506I	30067-0612	30067-0612	.331 (8.40)	.633 (16.08)						
	08	30067-08A2	I5-97-508I	30067-0812	30067-0812	.496 (12.60)	.798 (20.27)						
	10	30067-10A2	I5-97-510I	30067-1012	30067-1012	.661 (16.80)	.963 (24.46)						
H	12	30067-12A2	I5-97-512I	30067-1212	30067-1212	.827 (21.00)	1.129 (28.68)						
	14	30067-14A2	NOT TOOLED	30067-1412	NOT TOOLED	.992 (25.20)	1.294 (32.87)						
	16	30067-16A2	I5-97-516I	30067-1612	30067-1612	1.157 (29.40)	1.459 (37.06)						
G	18	30067-18A2	NOT TOOLED	30067-1812	NOT TOOLED	1.520 (38.60)	1.822 (46.28)						
	20	30067-20A2	NOT TOOLED	30067-2012	NOT TOOLED	1.685 (42.80)	1.987 (50.46)						
	22	30067-22A2	NOT TOOLED	30067-2212	NOT TOOLED	1.850 (47.00)	2.152 (54.66)						
F	24	30067-24A2	NOT TOOLED	30067-2412	NOT TOOLED	2.016 (51.20)	2.318 (58.88)						



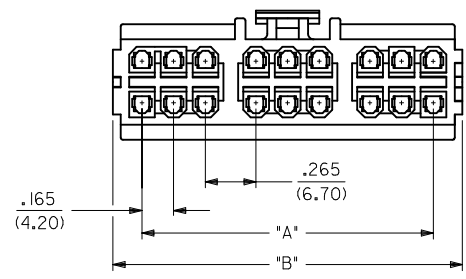
24 CIRCUIT



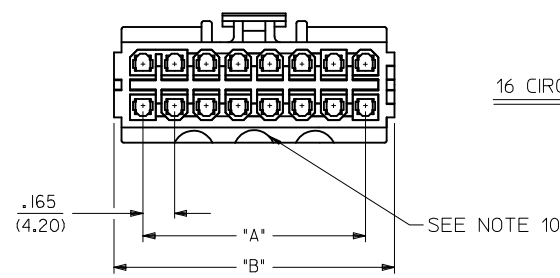
22 CIRCUIT



20 CIRCUIT



18 CIRCUIT



16 CIRCUITS

**LEGEND:**

30067 - \*\* \* 2

CIRCUIT SIZE (02-24)

HOUSING COLOR  
A = BLACK  
1 = NATURAL

<b>SEE SHEET 1</b> EC NO: UCP2011-0234 DRWN: JAGUILAR 2010/08/25 CHKD: BELL 2010/08/25 APPR: FSMITH 2010/10/25 H1	QUALITY SYMBOLS 	GENERAL TOLERANCES (UNLESS SPECIFIED) <table border="1"> <thead> <tr> <th></th> <th>mm</th> <th>INCH</th> </tr> </thead> <tbody> <tr> <td>4 PLACES</td> <td>± .010</td> <td>± .0004</td> </tr> <tr> <td>3 PLACES</td> <td>± .015</td> <td>± .0006</td> </tr> <tr> <td>2 PLACES</td> <td>± 0.25</td> <td>± .010</td> </tr> <tr> <td>1 PLACE</td> <td>± 0.36</td> <td>± .014</td> </tr> </tbody> </table>		mm	INCH	4 PLACES	± .010	± .0004	3 PLACES	± .015	± .0006	2 PLACES	± 0.25	± .010	1 PLACE	± 0.36	± .014	DIMENSION STYLE <b>IN/MM</b> DRAWN BY: RJF DATE: 09/23/91 CHECKED BY: GEP DATE: 09/23/91 APPROVED BY: FSMITH DATE: 2010/10/25	SCALE <b>2:1</b> DESIGN UNITS <b>INCH</b> THIRD ANGLE PROJECTION	TITLE <b>2-24 CKT. RECP. HSG. MINI-FIT T.P.A. SERIES</b>
		mm	INCH																	
	4 PLACES	± .010	± .0004																	
	3 PLACES	± .015	± .0006																	
2 PLACES	± 0.25	± .010																		
1 PLACE	± 0.36	± .014																		
DRAFT WHERE APPLICABLE MUST REMAIN WITHIN DIMENSIONS		MATERIAL NO. <b>SEE CHART</b>	MOLEX INCORPORATED	DOCUMENT NO. <b>SD-30067-*</b>	SHEET NO. <b>2 OF 2</b>															
THIS DRAWING CONTAINS INFORMATION THAT IS PROPRIETARY TO MOLEX INCORPORATED AND SHOULD NOT BE USED WITHOUT WRITTEN PERMISSION																				