

PLEASE CHECK WWW.MOLEX.COM FOR LATEST PART INFORMATION

Part Number: [0015976041](#)
Status: **Active**
Overview:
Description: 4.20mm (.165") Pitch Mini-Fit TPA™ Plug Housing, Dual Row With Secondary Terminal Retention, 4 Circuits

Documents:

[3D Model](#) [Product Specification PS-5556-003 \(PDF\)](#)
[Packaging Specification \(PDF\)](#) [RoHS Certificate of Compliance \(PDF\)](#)
[Drawing \(PDF\)](#)

General

Product Family Crimp Housings
 Series [30068](#)
 Overview Mini-Fit TPA™#153;
 Product Name Mini-Fit TPA™

Physical

Circuits (maximum) 4
 Color - Resin Black
 Flammability 94V-0
 Gender Male
 Glow-Wire Compliant No
 Material - Resin Polyester
 Number of Rows 2
 Packaging Type Bag
 Panel Mount No
 Panel Mount Yes
 Pitch - Mating Interface (in) 0.165 In
 Pitch - Mating Interface (mm) 4.20 mm
 Stackable No
 Temperature Range - Operating -40°C to +105°C

Electrical

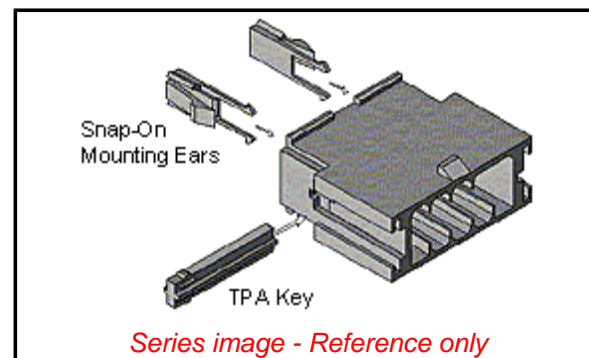
CSA LR19980
 UL E29179

Material Info

Old Part Number 30068-04

Reference - Drawing Numbers

Product Specification PS-5556-003
 Sales Drawing SD-30068-*



EU RoHS

**ELV and RoHS
 Compliant
 REACH SVHC
 Contains SVHC: No
 Halogen-Free
 Status**

China RoHS



**Not Halogen-Free
 Need more information on product
 environmental compliance?**

Email productcompliance@molex.com
 Please visit the Contact Us section for any
 non-product compliance questions.

Search Parts in this Series

[30068](#) Series

Mates With

[30067](#)

Use With

[30072](#) Mini-Fit TPA™ Receptacle Housing .
[43130](#) Mini-Fit TPA™ Plug Housing