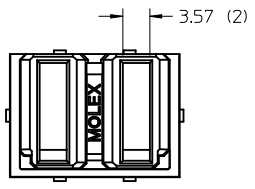
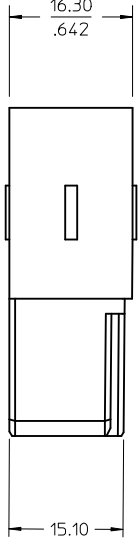
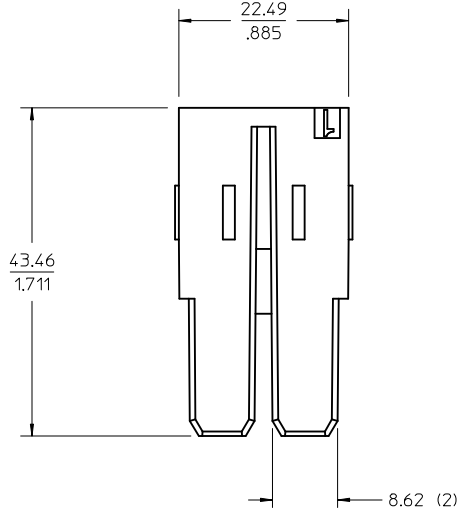
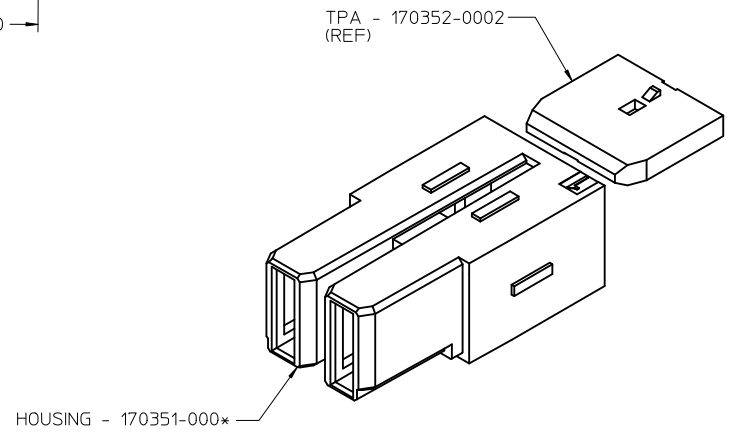


ITEM NO	PART NUMBER	DESCRIPTION
1	170351-0002	FOR 8-10 AWG WIRE
2	170351-0003	FOR 6 AWG WIRE

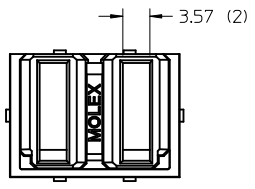
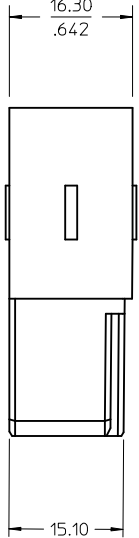
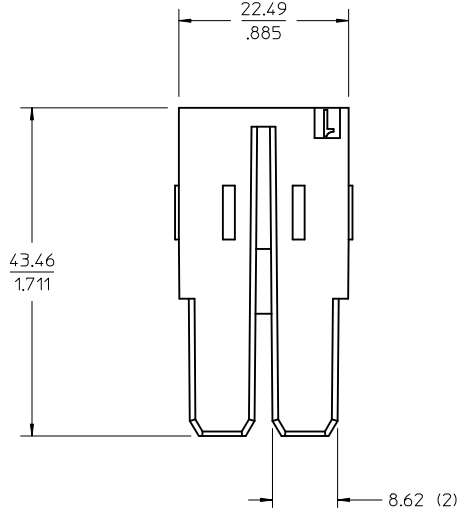


- NOTES:
1. MATERIAL: PBT UNFILLED 89992-0074
COLOR: BLACK
 2. HOUSING FOR USE WITH TERMINAL SERIES 46819
AND CABLE ASSEMBLY SERIES 68790.
 3. REQUIRES TPA SD-170352-0002 TO SECURE TERMINALS
 4. HOUSING IS ROHS COMPLIANT
 5. TPA MUST BE USED WITH HOUSING
 6. TPA IS TO BE ORDERED SEPARATELY
 7. DO NOT INSERT THE TPA INTO CRIMP HOUSING UNTIL THE
CRIMP TERMINAL WITH WIRES HAS BEEN INSERTED

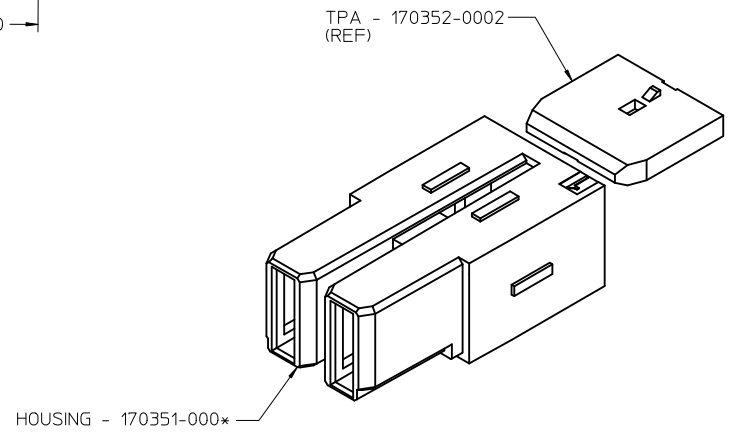


ADD NOTES/REV VIEW EC NO: UCP2012-3786 DRWN: JUILLES 2012/05/22 CHKD: MKARADIMAS 2012/05/22 APPR: APATEL 2012/06/01	DESCRIPTION REV	QUALITY SYMBOLS	GENERAL TOLERANCES (UNLESS SPECIFIED)		DIMENSION STYLE MM ONLY		SCALE 2:1	DESIGN UNITS METRIC	THIRD ANGLE PROJECTION	
		▽=0	mm	INCH	DRAWN BY MKARADIMAS	DATE 2011/08/10	GUARDIAN CRIMP RECEPTACLE HOUSING 2 CKT MOLEX INCORPORATED			
		▽=0	4 PLACES ± ---	± ---	CHECKED BY APATEL	DATE 2011/08/10				
		▽=0	3 PLACES ± ---	± ---	APPROVED BY APATEL	DATE 2012/01/09				
		1 PLACE ± ---	± ---	ANGULAR ±1/2°		MATERIAL NO. SEE CHART	DOCUMENT NO. SD-170351-0002	SHEET NO. 1 OF 1		
DRAFT WHERE APPLICABLE MUST REMAIN WITHIN DIMENSIONS			THIS DRAWING CONTAINS INFORMATION THAT IS PROPRIETARY TO MOLEX INCORPORATED AND SHOULD NOT BE USED WITHOUT WRITTEN PERMISSION							

ITEM NO	PART NUMBER	DESCRIPTION
1	170351-0002	FOR 8-10 AWG WIRE
2	170351-0003	FOR 6 AWG WIRE



- NOTES:
1. MATERIAL: PBT UNFILLED 89992-0074
COLOR: BLACK
 2. HOUSING FOR USE WITH TERMINAL SERIES 46819
AND CABLE ASSEMBLY SERIES 68790.
 3. REQUIRES TPA SD-170352-0002 TO SECURE TERMINALS
 4. HOUSING IS ROHS COMPLIANT
 5. TPA MUST BE USED WITH HOUSING
 6. TPA IS TO BE ORDERED SEPARATELY
 7. DO NOT INSERT THE TPA INTO CRIMP HOUSING UNTIL THE
CRIMP TERMINAL WITH WIRES HAS BEEN INSERTED



ADD NOTES/REV VIEW EC NO: UCP2012-3786 DRAWN: JUILLES 2012/05/22 CHKD: MKARADIMAS 2012/05/22 APPR: APATEL 2012/06/01	QUALITY SYMBOLS ▽=0 ▽=0 ▽=0	GENERAL TOLERANCES (UNLESS SPECIFIED)		DIMENSION STYLE MM ONLY		SCALE 2:1	DESIGN UNITS METRIC	THIRD ANGLE PROJECTION		
				DRAWN BY MKARADIMAS	DATE 2011/08/10	GUARDIAN CRIMP RECEPTACLE HOUSING 2 CKT				
				CHECKED BY APATEL	DATE 2011/08/10					
				APPROVED BY APATEL		DATE 2012/01/09	MOLEX MOLEX INCORPORATED		SHEET NO. 1 OF 1	
REV D	DESCRIPTION	ANGULAR ±1/2°		MATERIAL NO. SEE CHART		DOCUMENT NO. SD-170351-0002		THIS DRAWING CONTAINS INFORMATION THAT IS PROPRIETARY TO MOLEX INCORPORATED AND SHOULD NOT BE USED WITHOUT WRITTEN PERMISSION		
DRAFT WHERE APPLICABLE MUST REMAIN WITHIN DIMENSIONS										