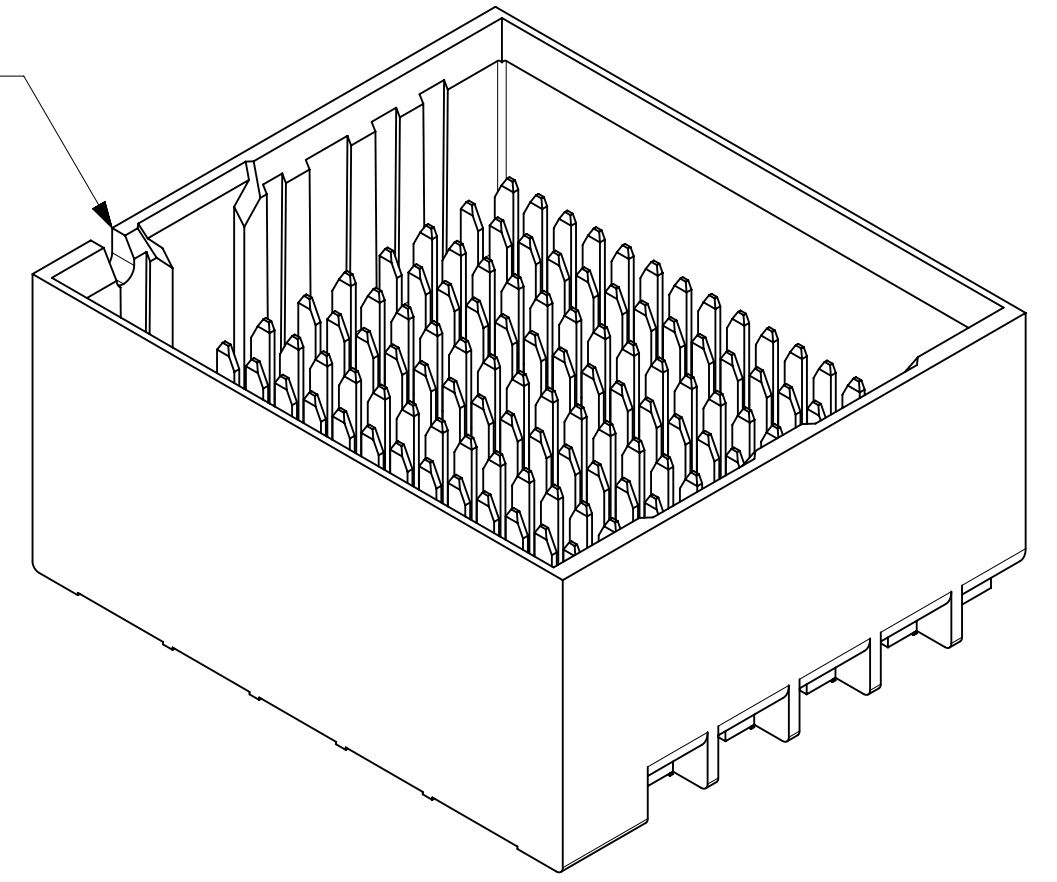


NOTCH DESIGNATES ROW A

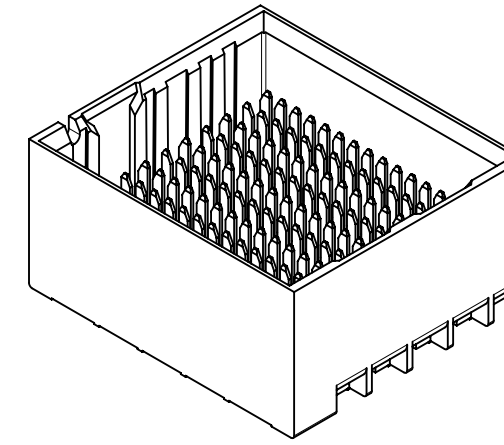


- NOTES:**
1. MATERIALS: HOUSING - LIQUID CRYSTAL POLYMER (LCP)
GLASS-FILLED, UL94V-0
TERMINALS - HIGH PERFORMANCE COPPER ALLOY
 2. FINISH: 30μ INCH MIN GOLD IN CONTACT AREA.
SELECTIVE MATTE TIN PCB TAILS, NICKEL OVERALL.
 3. REFER TO MOLEX PRODUCT SPECIFICATION PS-170540-999
FOR PERFORMANCE SPECIFICATIONS AND ADDITIONAL PCB INFORMATION.
 4. THIS PART CONFORMS TO CLASS B REQUIREMENTS OF
MOLEX COSMETIC SPEC PS-45499-002.
 5. PARTS PACKAGED PER PK-70873-7702.
 6. SEE SHEETS 2 & 3 FOR PART NUMBERS AND BOARD RELATIONSHIPS.
 7. REFER TO MOLEX PCB ROUTING GUIDE AS-76060-990 FOR ANTIPAD AND
ROUTING RECOMMENDATIONS.
 8. MINIMUM CIRCUIT BOARD THICKNESS: 1.0mm.
 9. "THESE DIMENSIONS REPRESENT THE AREA NEEDED TO ACCOMMODATE CONNECTOR
INSERTION AND REPAIR ON THE PC BOARD. THIS IS REFERRED TO AS THE
"CONNECTOR KEEP OUT ZONE" AND DOES NOT REPRESENT THE ACTUAL PERIMETER
OF THE CONNECTOR. WHEN LAYING OUT A PC BOARD FOR CONNECTORS STACKED
TOGETHER, USE THE 1.9mm PROGRESSION."

THIS DRAWING CONTAINS INFORMATION THAT IS PROPRIETARY TO MOLEX ELECTRONIC TECHNOLOGIES, LLC AND SHOULD NOT BE USED WITHOUT WRITTEN PERMISSION											
MIGRATED TO NX EC NO: 168852 DRWN: NVELUSAMY CHKD: CD REV / APPR: GGA	GENERAL TOLERANCES (UNLESS SPECIFIED)		DIMENSION UNITS		SCALE						
	ANGULAR TOL ± 2.0 °		MM		4:1						
	4 PLACES ±		DRWN BY		DATE		IMPACT 5-PAIR 85-OHM UNGUIDED BACKPLANE SALES ASSEMBLY DRAWING				
	3 PLACES ±		JBINGHAM		2010/05/18						
	2 PLACES ± 0.13		CHKD BY		DATE		PRODUCT CUSTOMER DRAWING				
	1 PLACE ± 0.25		JLAURX		2010/05/18						
	0 PLACES ±		APPR BY		DATE		SERIES: 170475 MATERIAL NUMBER: SEE CHART CUSTOMER: GENERAL MARKET				
	DRAFT WHERE APPLICABLE MUST REMAIN WITHIN DIMENSIONS		JLAURX		2013/05/21						
	C3		DRAWING SIZE		THIRD ANGLE PROJECTION		DOCUMENT NUMBER: SD-170475-0001 DOC TYPE: PSD DOC PART: 001 SHEET NUMBER: 1 OF 3				
			C								

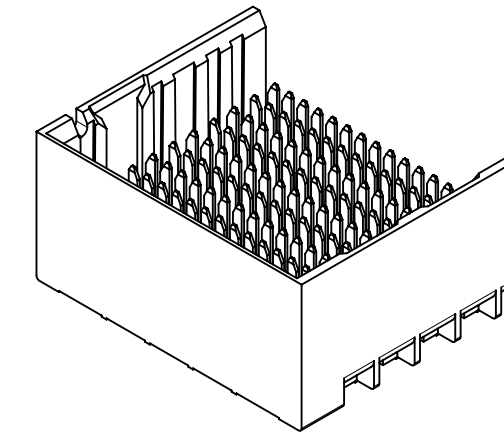
PART NUMBER TABLE

MATERIAL NUMBER	# OF COLUMNS	# OF DIFF PAIR	DIM. A	DIM. B	DUAL END WALL OPTION
170475-182*	8	40	17.9	13.30	
170475-112*	10	50	21.7	17.10	
170475-122*	12	60	25.5	20.90	
170475-162*	16	80	33.1	28.50	



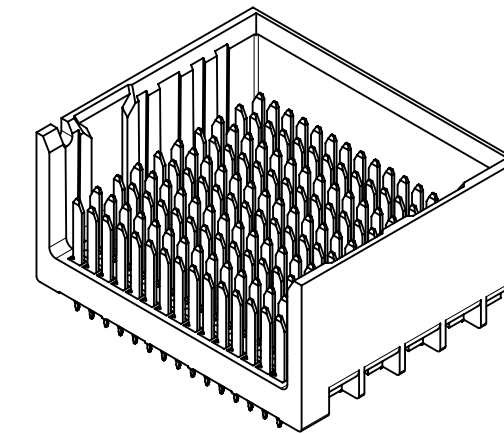
**DUAL END
WALL OPTION**

MATERIAL NUMBER	# OF COLUMNS	# OF DIFF PAIR	DIM. A	DIM. B	LEFT END WALL OPTION
170475-181*	8	40	16.5	13.30	
170475-111*	10	50	20.3	17.10	
170475-121*	12	60	24.1	20.90	
170475-161*	16	80	31.7	28.50	



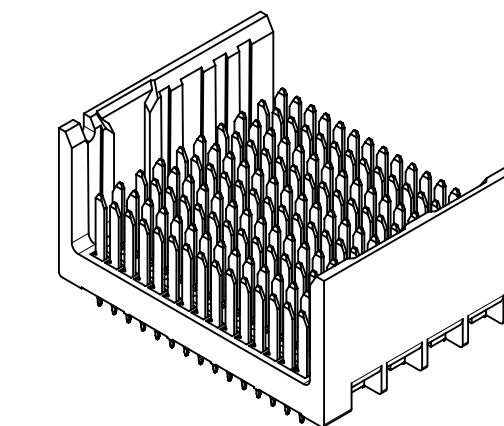
**LEFT END
WALL OPTION**

MATERIAL NUMBER	# OF COLUMNS	# OF DIFF PAIR	DIM. A	DIM. B	RIGHT END WALL OPTION
170475-183*	8	40	16.5	13.30	
170475-113*	10	50	20.3	17.10	
170475-123*	12	60	24.1	20.90	
170475-163*	16	80	31.7	28.50	



**RIGHT END
WALL OPTION**

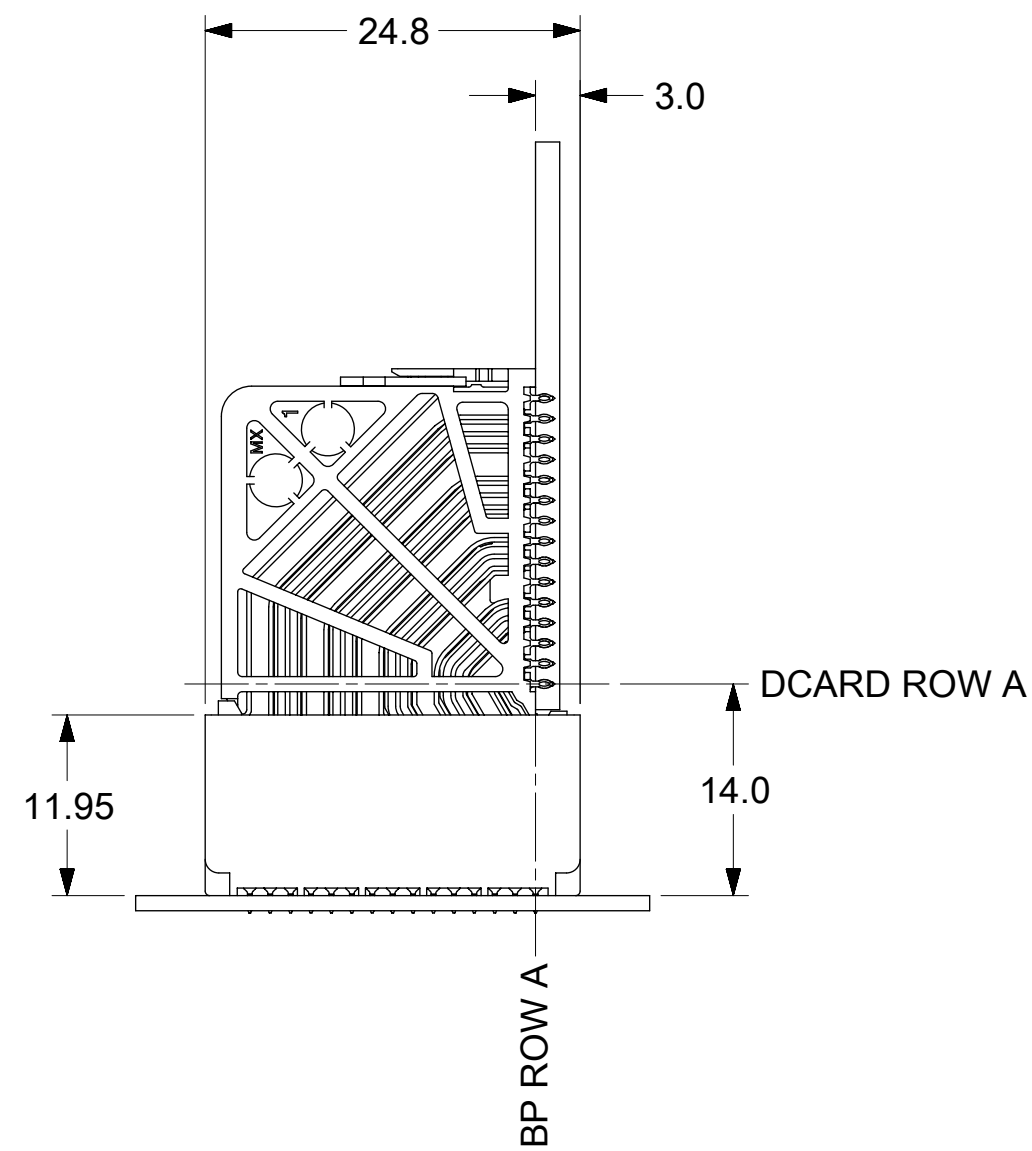
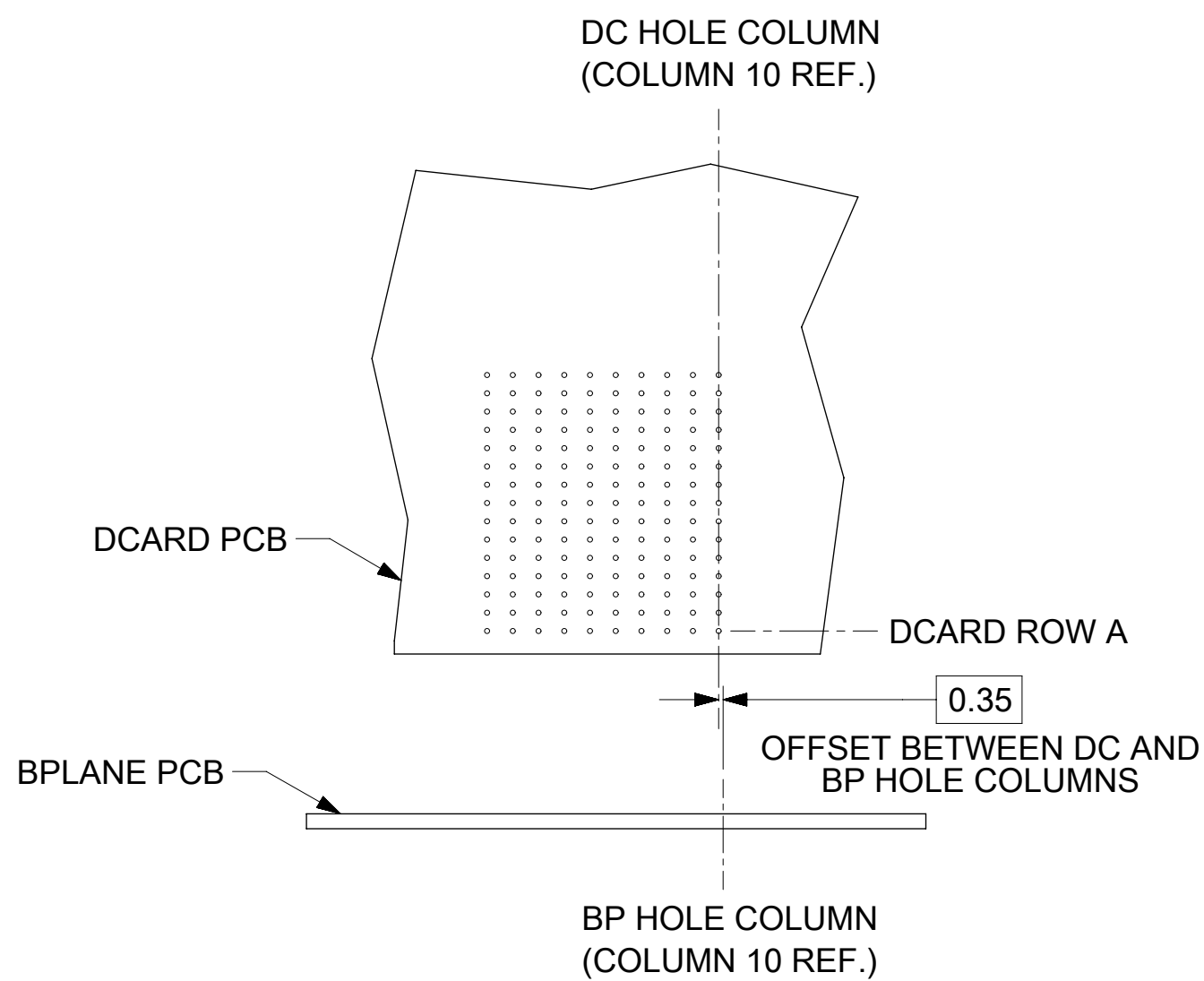
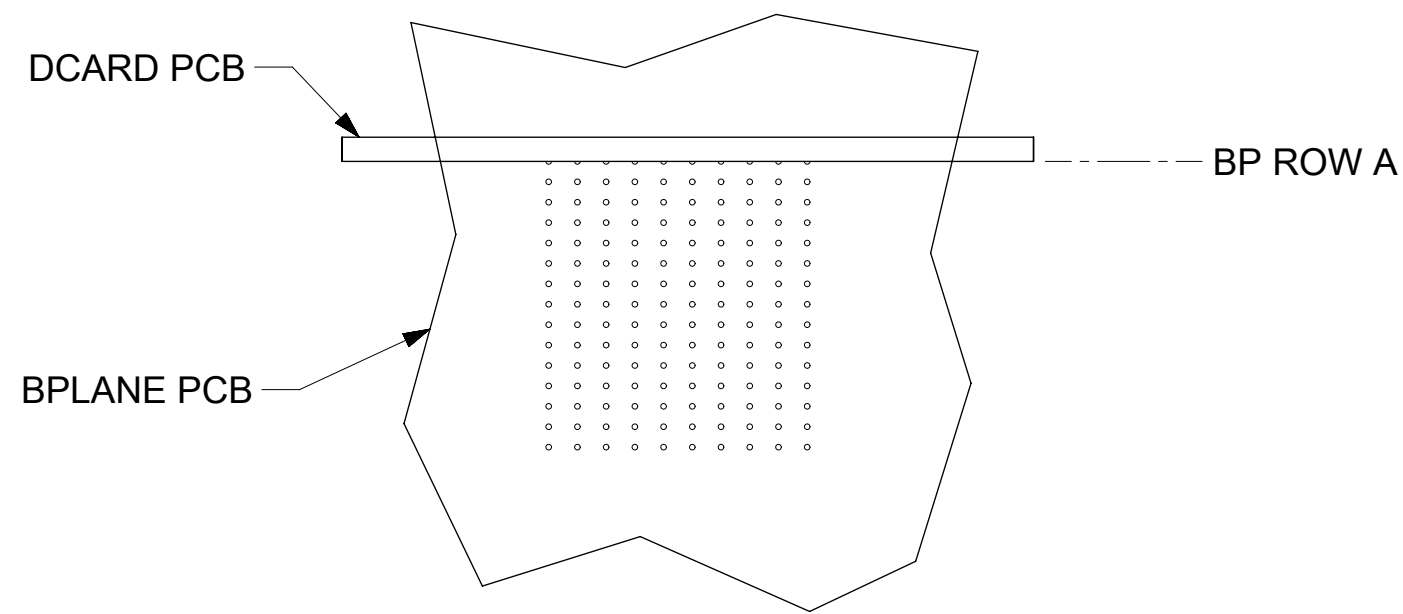
MATERIAL NUMBER	# OF COLUMNS	# OF DIFF PAIR	DIM. A	DIM. B	OPEN WALL OPTION
170475-180*	8	40	15.1	13.30	
170475-110*	10	50	18.9	17.10	
170475-120*	12	60	22.7	20.90	
170475-160*	16	80	30.3	28.50	



**OPEN
WALL OPTION**

THIS DRAWING CONTAINS INFORMATION THAT IS PROPRIETARY TO MOLEX ELECTRONIC TECHNOLOGIES, LLC AND SHOULD NOT BE USED WITHOUT WRITTEN PERMISSION												
MIGRATED TO NX EC NO: 168852 DRWN: NVELUSAMY CHKD: CD REV / APPR: GGA	2017/10/24	GENERAL TOLERANCES (UNLESS SPECIFIED)		DIMENSION UNITS	SCALE	molex IMPACT 5-PAIR 85-OHM UNGUIDED BACKPLANE SALES ASSEMBLY DRAWING						
	2017/11/30	ANGULAR TOL ± 2.0 °		MM	2:1							
	2017/12/01	4 PLACES ±	DRWN BY		DATE		PRODUCT CUSTOMER DRAWING					
	C3	3 PLACES ±	JBINGHAM		2010/05/18							
	REV	2 PLACES ± 0.13	CHKD BY		DATE							
APP	1 PLACE ± 0.25	JLAURX		2010/05/18								
R	0 PLACES ±	APPR BY		DATE								
DRAFT WHERE APPLICABLE MUST REMAIN WITHIN DIMENSIONS		DRAWING SIZE		THIRD ANGLE PROJECTION		C	SERIES	MATERIAL NUMBER	CUSTOMER			
							170475	SEE CHART		GENERAL MARKET		
							DOCUMENT NUMBER		DOC TYPE	DOC PART	SHEET NUMBER	
							SD-170475-0001		PSD	001	2 OF 3	

IMPACT 5 PAIR BOARD RELATIONSHIPS



PART NUMBER LOGIC

170475-****

MODULE TYPE
1 = UNGUIDED, MATTE TIN

OF COLUMNS
1 = 10 COL
2 = 12 COL
6 = 16 COL
8 = 8 COL

P=PIN LENGTH
3 = 4.50 (SHORT COMPLIANT, 0.46±0.05 PTH)
4 = 4.90 (SHORT COMPLIANT, 0.46±0.05 PTH)
5 = 5.50 (SHORT COMPLIANT, 0.46±0.05 PTH)
6 = 4.50 (MICRO COMPLIANT, 0.39±0.05 PTH)
7 = 4.90 (MICRO COMPLIANT, 0.39±0.05 PTH)
8 = 5.50 (MICRO COMPLIANT, 0.39±0.05 PTH)

ENDWALL OPTIONS
0 = OPEN ENDS
1 = LEFT END WALL
2 = DUAL END WALL
3 = RIGHT END WALL

THIS DRAWING CONTAINS INFORMATION THAT IS PROPRIETARY TO MOLEX ELECTRONIC TECHNOLOGIES, LLC AND SHOULD NOT BE USED WITHOUT WRITTEN PERMISSION

MIGRATED TO NX EC NO: 168852 DRWN: NVELUSAMY CHKD: CD REV / APPR: GGA	2017/10/24	2017/11/30	2017/12/01	GENERAL TOLERANCES (UNLESS SPECIFIED) ANGULAR TOL ± 2.0 ° 4 PLACES ± 3 PLACES ± 2 PLACES ± 0.13 1 PLACE ± 0.25 0 PLACES ± DRAFT WHERE APPLICABLE MUST REMAIN WITHIN DIMENSIONS	DIMENSION UNITS MM	SCALE 3:1			
	DRWN BY JBINGHAM	DATE 2010/05/18	CHK'D BY JLAURX		DATE 2010/05/18				
	APPR BY JLAURX	DATE 2013/05/21	PRODUCT CUSTOMER DRAWING		SERIES 170475	MATERIAL NUMBER SEE CHART	CUSTOMER GENERAL MARKET		
	DRAWING SIZE C	THIRD ANGLE PROJECTION	DOCUMENT NUMBER SD-170475-0001		DOC TYPE PSD	DOC PART 001	SHEET NUMBER 3 OF 3		