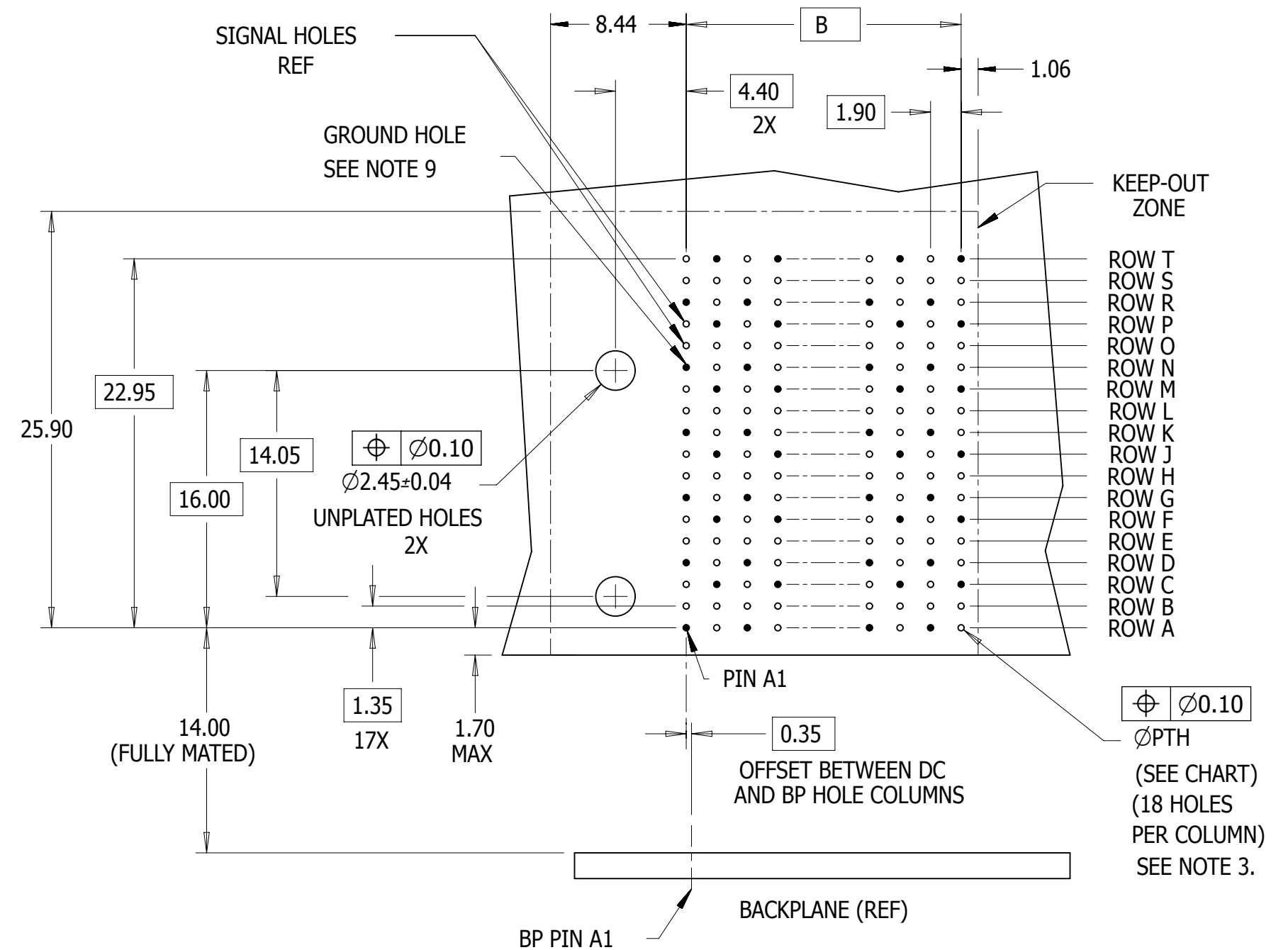


KEY SHOWN IN POSITION 'G'

- NOTES:
1. MATERIALS: HOUSING - LIQUID CRYSTAL POLYMER (LCP), GLASS-FILLED, UL94V-0  
TERMINALS - HIGH PERFORMANCE COPPER ALLOY
  2. FINISH: 30μIN MIN GOLD IN CONTACT AREA, SELECTIVE TIN ON PCB TAILS, NICKEL OVERALL.
  3. REFER TO MOLEX PRODUCT SPEC PS-170540-999 FOR PERFORMANCE SPECIFICATIONS AND ADDITIONAL PCB INFORMATION.
  4. EACH SIGNAL WAFER CONTAINS 2 COLUMNS OF TERMINALS.
  5. PRODUCT IS PACKAGED PER PK-70873-589.
  6. THIS PART CONFORMS TO CLASS B REQUIREMENTS OF COSMETIC SPEC PS-45499-002.
  7. REFER TO MOLEX SALES DRAWING SD-170535-0002 AND RSD-170532-XXXX FOR THE MATING HEADERS.
  8. REFER TO MOLEX ROUTING GUIDE AS-76060-990 FOR ANTIPAD AND ROUTING RECOMMENDATIONS.
  9. GROUND PATHS ARE NOT DISCRETE CIRCUITS WITHIN CONNECTOR DUE TO PRESENCE OF PLUS CLIP.
  10. PART NUMBER 170540-3720 SHOWN ON DRAWING. KEYING FEATURES WILL CHANGE WITH COLUMN SIZE.
  11. MINIMUM BOARD THICKNESS IS 1.0 mm FOR COMPLIANT PIN FUNCTIONALITY.
  12. WHEN USING MOLEX SUPPLIED #2-32 SCREW 73726-0000 (9.50 NOMINAL THREADABLE SCREW LENGTH), THE MAXIMUM BOARD THICKNESS IS 4.4 mm.
  13. MARKING: LOCATED APPROXIMATELY AS SHOWN, PART NUMBER, DATE CODE, AND SERIAL NUMBER.



DAUGHTERCARD HOLE PATTERN (CONNECTOR SIDE)

THIS DRAWING CONTAINS INFORMATION THAT IS PROPRIETARY TO MOLEX ELECTRONIC TECHNOLOGIES, LLC AND SHOULD NOT BE USED WITHOUT WRITTEN PERMISSION									
SYMBOLS		DIMENSION UNITS		SCALE		CURRENT REV DESC:			
▽ = 0	0	mm	4:1	EC NO: 611164					
▽ = 0	0	GENERAL TOLERANCES (UNLESS SPECIFIED)		DRWN: DMORGAN		2019/01/28			
▽ = 0	0	ANGULAR TOL ± 0.5°		CHK'D: TELO		2019/01/29			
▽ = 0	0	4 PLACES ±		APPR: TELO		2019/01/29			
▽ = 0	0	2 PLACES ± 0.13		INITIAL REVISION:					
▽ = 0	0	1 PLACE ± 0.25		DRWN: JLAURX		2010/09/29			
▽ = 0	0	0 PLACES ±		APPR: JLAURX		2010/10/19			
▽ = 0	0	DRAFT WHERE APPLICABLE MUST REMAIN WITHIN DIMENSIONS		THIRD ANGLE PROJECTION		DRAWING		SERIES	
				C-SIZE		170540			
				GENERAL MARKET		1 OF 2			

**molex**

IMPACT 6 PAIR PLUS 85OHM DAUGHTERCARD SIGNAL GUIDE LEFT SALES DWG

PRODUCT CUSTOMER DRAWING			
DOCUMENT NUMBER	DOC TYPE	DOC PART	REVISION
SD-170540-0002	PSD	001	C2

DOCUMENT STATUS	P1	RELEASE DATE	2019/01/29	02:36:16
12	11	10	9	8

MATERIAL NUMBER	# OF COLUMNS	# OF DIFF PAIR	DIM "A" MAX	DIM "B"	PTH $\phi$
170540-3*08	8	48	22.80	13.30	0.46 ±0.05
170540-3*10	10	60	26.60	17.10	
170540-3*16	16	96	38.00	28.50	
170540-3*38	8	48	22.80	13.30	0.39 ±0.05
170540-3*20	10	60	26.60	17.10	
170540-3*24	14	84	34.20	24.70	
170540-3*26	16	96	38.00	28.50	

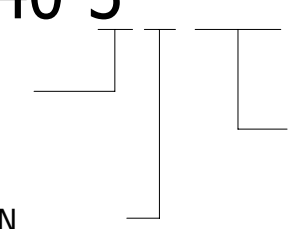
170540-3\*\*\*

MODULE & TAIL PLATING TYPE  
3 = LEFT GUIDED, LEAD-FREE

POLARIZATION KEY ORIENTATION

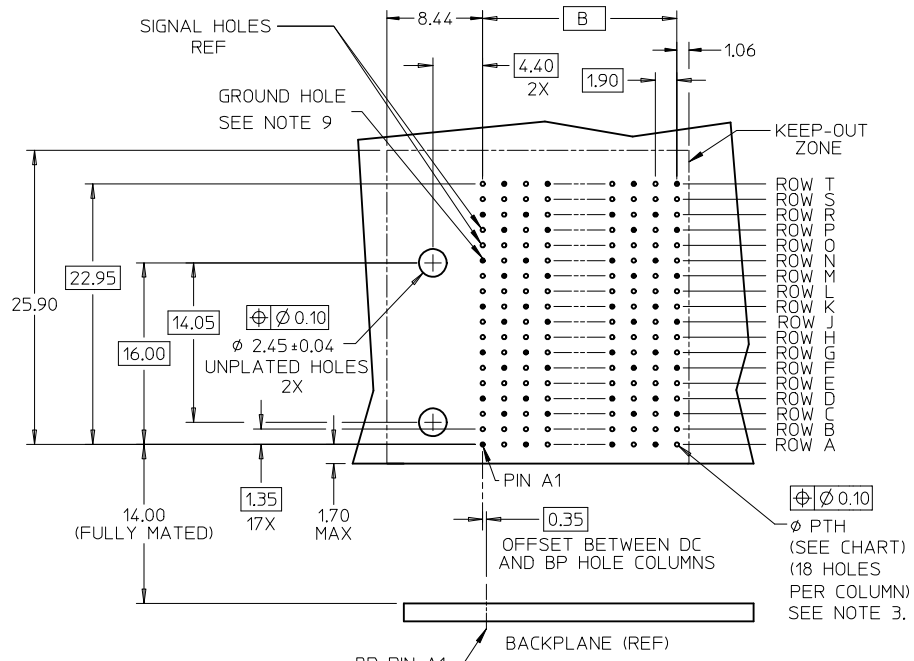
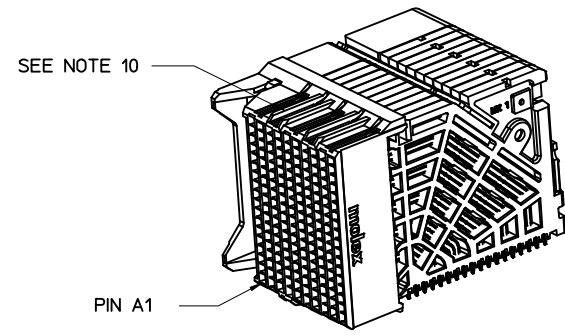
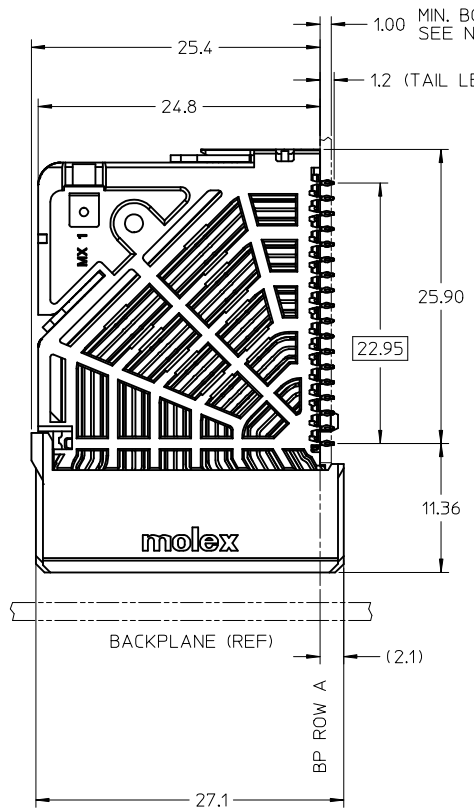
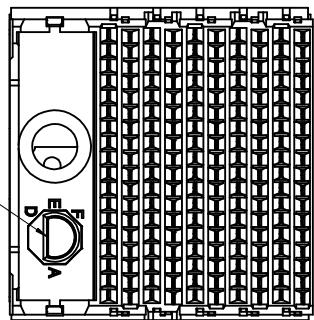
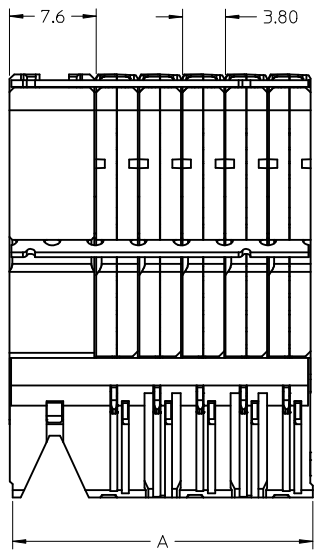
- 0 = NO KEY
- 1 = A      5 = E
- 2 = B      6 = F
- 3 = C      7 = G
- 4 = D      8 = H

- # OF COLUMNS
- 08 = 8 COL 0.46 PTH
  - 10 = 10 COL 0.46 PTH
  - 16 = 16 COL 0.46 PTH
  - 20 = 10 COL 0.39 PTH
  - 24 = 14 COL 0.39 PTH
  - 26 = 16 COL 0.39 PTH
  - 38 = 08 COL 0.39 PTH



SYMBOLS										THIS DRAWING CONTAINS INFORMATION THAT IS PROPRIETARY TO MOLEX ELECTRONIC TECHNOLOGIES, LLC AND SHOULD NOT BE USED WITHOUT WRITTEN PERMISSION									
DIMENSION UNITS					SCALE					CURRENT REV DESC:									
mm					1:1					EC NO: 611164									
GENERAL TOLERANCES (UNLESS SPECIFIED)					ANGULAR TOL ± 0.5°					DRWN: DMORGAN 2019/01/28					IMPACT 6 PAIR PLUS 85OHM DAUGHTERCARD SIGNAL GUIDE LEFT SALES DWG				
4 PLACES ±					3 PLACES ±					CHK'D: TELO 2019/01/29									
2 PLACES ± 0.13					INITIAL REVISION:					APPR: TELO 2019/01/29					PRODUCT CUSTOMER DRAWING				
1 PLACE ± 0.25					DRWN: JLAURX 2010/09/29					APPR: JLAURX 2010/10/19					DOCUMENT NUMBER				
0 PLACES ±					DRAFT WHERE APPLICABLE MUST REMAIN WITHIN DIMENSIONS					THIRD ANGLE PROJECTION					DRAWING				
DRAFT WHERE APPLICABLE MUST REMAIN WITHIN DIMENSIONS					C-SIZE					SERIES					MATERIAL NUMBER				
					C-SIZE					170540					CUSTOMER				
															GENERAL MARKET				
															SHEET NUMBER				
															2 OF 2				

DOCUMENT STATUS	P1	RELEASE DATE	2019/01/29	02:36:16
-----------------	----	--------------	------------	----------



- NOTES:
1. MATERIALS: HOUSING - LIQUID CRYSTAL POLYMER (LCP), GLASS-FILLED, UL94V-0  
TERMINALS - HIGH PERFORMANCE COPPER ALLOY
  2. FINISH: 10µN MIN GOLD IN CONTACT AREA, SELECTIVE TIN  
ON PCB TAILS, NICKEL OVERALL.
  3. REFER TO MOLEX PRODUCT SPEC PS-170540-999 FOR PERFORMANCE SPECIFICATIONS  
AND ADDITIONAL PCB INFORMATION.
  4. EACH SIGNAL WAFER CONTAINS 2 COLUMNS OF TERMINALS.
  5. PRODUCT IS PACKAGED PER PK-70873-589.
  6. THIS PART CONFORMS TO CLASS B REQUIREMENTS OF COSMETIC SPEC PS-45499-002.
  7. REFER TO MOLEX SALES DRAWING SD-170535-0002 AND RSD-170532-XXXX FOR THE  
MATING HEADERS.
  8. REFER TO MOLEX ROUTING GUIDE AS-76060-990 FOR ANTIPAD AND ROUTING  
RECOMMENDATIONS.
  9. GROUND PATHS ARE NOT DISCRETE CIRCUITS WITHIN CONNECTOR DUE TO PRESENCE  
OF PLUS CLIP.
  10. PART NUMBER 170540-3720 SHOWN ON DRAWING. KEYING FEATURES WILL CHANGE  
WITH COLUMN SIZE.
  11. MINIMUM BOARD THICKNESS IS 1.0 mm FOR COMPLIANT PIN FUNCTIONALITY.
  12. WHEN USING MOLEX SUPPLIED #2-32 SCREW 73726-0000 (9.50 NOMINAL  
THREADABLE SCREW LENGTH), THE MAXIMUM BOARD THICKNESS IS 4.4 mm.

DAUGHTERCARD HOLE PATTERN (CONNECTOR SIDE)

INITIAL CREATION MAPS PLATING EC NO: UCP2015-3240 DRW:MKRAUSE 2015/02/09 CHKD: TELO APPR:TELO 2015/03/02	QUALITY SYMBOLS	GENERAL TOLERANCES (UNLESS SPECIFIED)	DIMENSION STYLE MM ONLY	SCALE 3:1	DESIGN UNITS METRIC	THIRD ANGLE PROJECTION
	▽=0	mm INCH	DRAWN BY DATE MKRAUSE 2015/02/09	TITLE IMPACT 6 PAIR PLUS 850HM DC SIGNAL MAPS GUIDE LEFT SALES DWG		SHEET NO. 1 OF 2
	▽=0	4 PLACES ± --- ± --- 3 PLACES ± --- ± --- 2 PLACES ± 0.13 ± --- 1 PLACE ± 0.25 ± --- 0 PLACE ± ±	CHECKED BY DATE	APPROVED BY DATE TELO 2015/03/02		
	▽=0	ANGULAR ±1/2°	MATERIAL NO. SEE CHART	DOCUMENT NO. SD-173120-0002		
REV: A	DRAFT WHERE APPLICABLE MUST REMAIN WITHIN DIMENSIONS	SIZE C	THIS DRAWING CONTAINS INFORMATION THAT IS PROPRIETARY TO MOLEX INCORPORATED AND SHOULD NOT BE USED WITHOUT WRITTEN PERMISSION			

MATERIAL NUMBER	# OF COLUMNS	# OF DIFF PAIR	DIM "A" MAX	DIM "B"	PTH $\phi$
173120-3*08	8	48	22.80	13.30	0.46 $\pm 0.05$
173120-3*10	10	60	26.60	17.10	
173120-3*16	16	96	38.00	28.50	
173120-3*38	8	48	22.80	13.30	0.39 $\pm 0.05$
173120-3*20	10	60	26.60	17.10	
173120-3*26	16	96	38.00	28.50	

173120-3\*\*\*

MODULE & TAIL PLATING TYPE  
3 = LEFT GUIDED, LEAD-FREE

POLARIZATION KEY ORIENTATION

- 0 = NO KEY
- 1 = A
- 2 = B
- 3 = C
- 4 = D
- 5 = E
- 6 = F
- 7 = G
- 8 = H

- # OF COLUMNS
- 08 = 8 COL 0.46 PTH
  - 10 = 10 COL 0.46 PTH
  - 16 = 16 COL 0.46 PTH
  - 20 = 10 COL 0.39 PTH
  - 26 = 16 COL 0.39 PTH
  - 38 = 08 COL 0.39 PTH

SEE SHEET 1 EC NO: UCP2015-3240 DRAWN: MKRAUSE 2015/02/09 CHKD: APPR: TELO 2015/03/02	QUALITY SYMBOLS	GENERAL TOLERANCES (UNLESS SPECIFIED)	DIMENSION STYLE <b>MM ONLY</b>	SCALE <b>3:1</b>	DESIGN UNITS <b>METRIC</b>	THIRD ANGLE PROJECTION
	$\nabla = 0$	4 PLACES $\pm$ --- $\pm$ ---	mm INCH	DRAWN BY MKRAUSE	DATE 2015/02/09	TITLE <b>IMPACT 6 PAIR PLUS 850HM DC SIGNAL MAPS GUIDE LEFT SALES DWG</b>
	$\nabla = 0$	3 PLACES $\pm$ --- $\pm$ ---		CHECKED BY	DATE	
	$\nabla = 0$	2 PLACES $\pm 0.13$ $\pm$ ---		APPROVED BY TELO	DATE 2015/03/02	DOCUMENT NO. <b>SD-173120-0002</b>
	1 PLACE $\pm 0.25$ $\pm$ ---		DRAFT WHERE APPLICABLE MUST REMAIN WITHIN DIMENSIONS		SHEET NO. 2 OF 2	
		0 PLACE $\pm$ $\pm$ ---		SIZE <b>C</b> THIS DRAWING CONTAINS INFORMATION THAT IS PROPRIETARY TO MOLEX INCORPORATED AND SHOULD NOT BE USED WITHOUT WRITTEN PERMISSION		