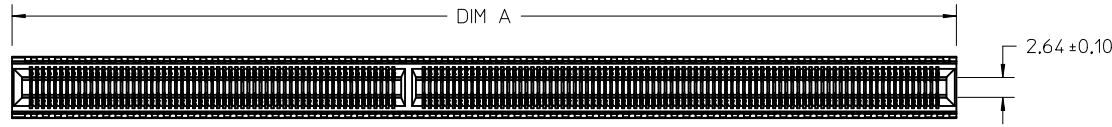
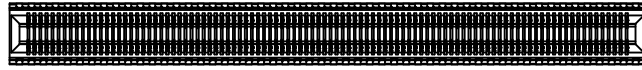


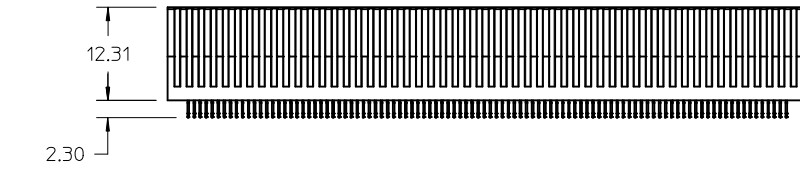
PART NUMBER	VERSION	BAY 1/BAY 2	TOTAL CIRCUITS	DIM A	SALES DRAWING (SEE NOTE 7)
170672-2294	2 BAY	122/172	294	125.03	SD-170672-2294
170672-2278	2 BAY	146/132	278	118.63	SD-170672-2278
170672-1200	1 BAY	200	200	84.20	SD-170672-1200
170672-1170	1 BAY	170	170	72.20	SD-170672-1170
170672-2108	2 BAY	86/22	108	50.6	SD-170672-2108



2 BAY EDGE LINE

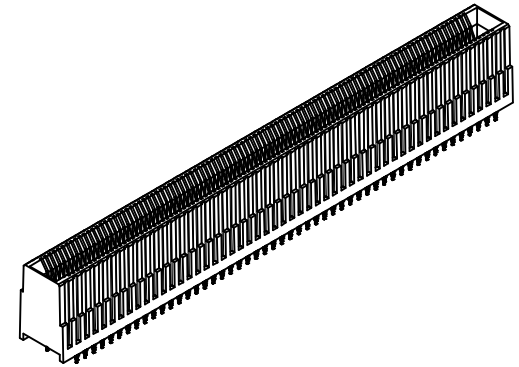
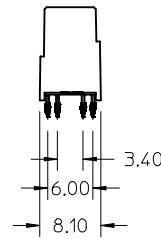


1 BAY EDGE LINE



LAST CIRCUIT

FIRST CIRCUIT



NOTES:

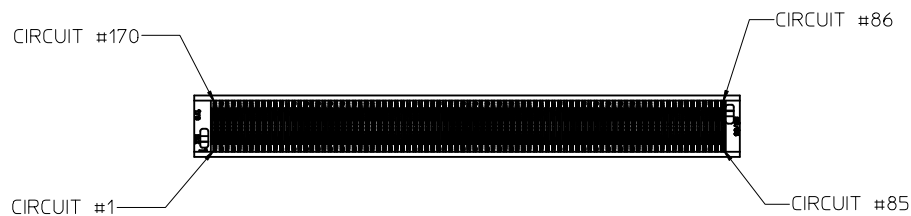
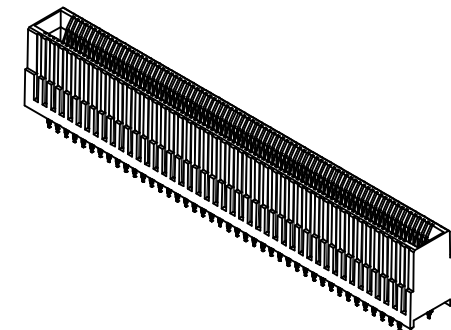
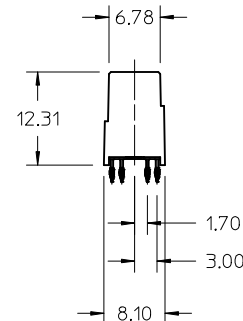
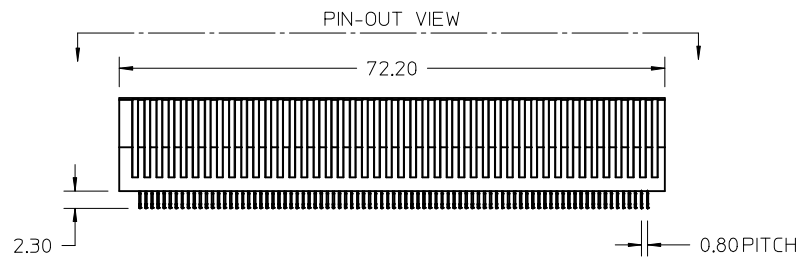
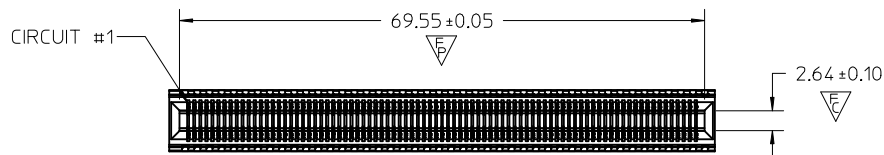
- MATERIAL:  
HOUSING - GLASS FILLED THERMOPLASTIC, 94-V0, BLACK  
TERMINALS - COPPER ALLOY
- FINISH:  
CONTACT AREA: HARD GOLD -0.76µm MIN OVER 3.80µ NICKEL  
COMPLIANT AREA: TIN - 0.76/1.52µm OVER NICKEL
- REFER TO PS-75594-999 PRODUCT SPECIFICATION FOR ALL ELECTRICAL, MECHANICAL AND ENVIRONMENTAL SPECIFICATIONS.
- PROCESSING: PRESSFIT TO PC BOARD.
- MATING PC BOARD THICKNESS = 2.36±10% OVER CONTACT PADS.
- THIS PART CONFORMS TO CLASS B REQUIREMENTS OF COSMETIC SPEC PS-45499-002
- FOR EDGE CARD AND MOUNTING PCB LAYOUT DETAIL SEE CORRESPONDING SALES DRAWING.

REV	DESCRIPTION	QUALITY SYMBOLS
C1	CORRECT 10% TOLERANCE IEC NO: UCP2017-1945 DRW:MP0FF 2017/03/09 CHK:DMORGAN 2017/03/09 APPR:KLANG 2017/03/15	= 0 = 0 = 0

GENERAL TOLERANCES (UNLESS SPECIFIED)	
mm	INCH
4 PLACES ± .005	± .0004
3 PLACES ± .005	± .0004
2 PLACES ± .005	± .0004
1 PLACE ± .005	± .0004
0 PLACE ±	±
ANGULAR ±1/2°	
DRAFT WHERE APPLICABLE MUST REMAIN WITHIN DIMENSIONS	

DIMENSION STYLE	
MM ONLY	
DRAWN BY	DATE
DROSCA	2010/07/01
CHECKED BY	DATE
JCOMERCI	2011/03/28
APPROVED BY	DATE
JCOMERCI	2010/10/25
MATERIAL NO.	
SEE TABLE	

SCALE	DESIGN UNITS	THIRD ANGLE PROJECTION
2:1	METRIC	
<b>EDGE LINE 12.5GB</b> <b>0.093" PCB 0.8MM PITCH</b>		
DOCUMENT NO.	SHEET NO.	
SD-170672-0001	1 OF 1	

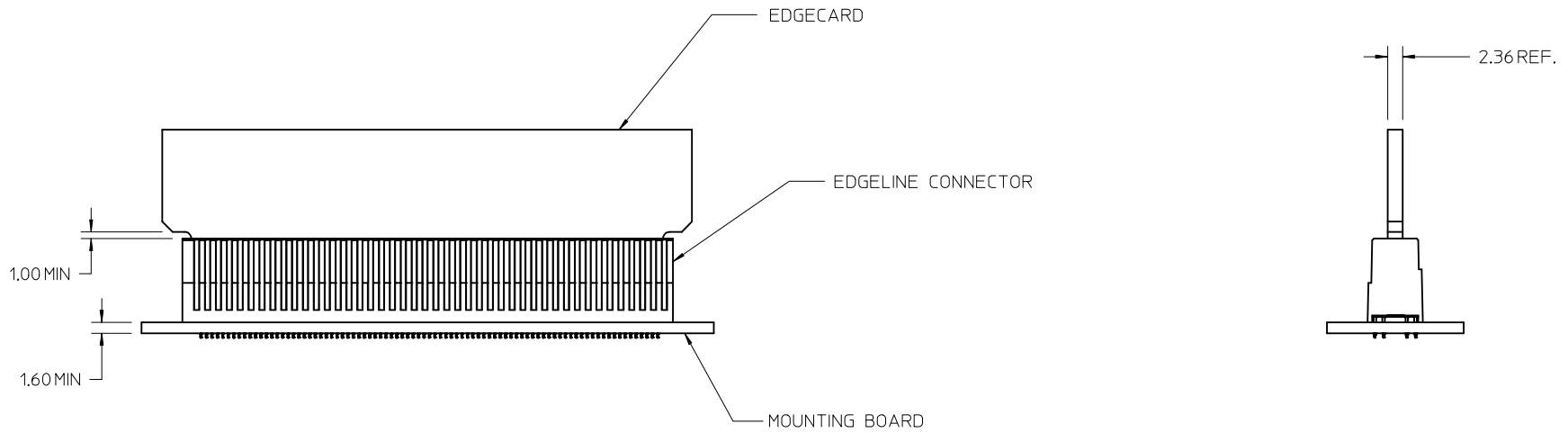


NOTES:

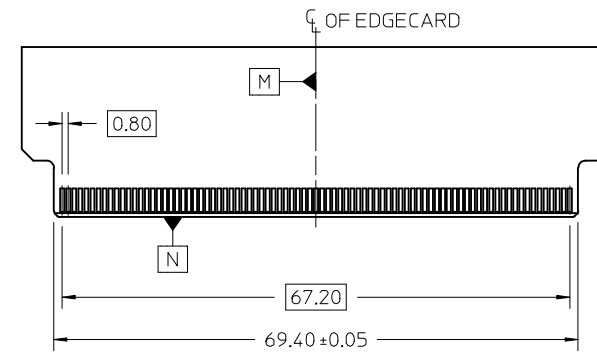
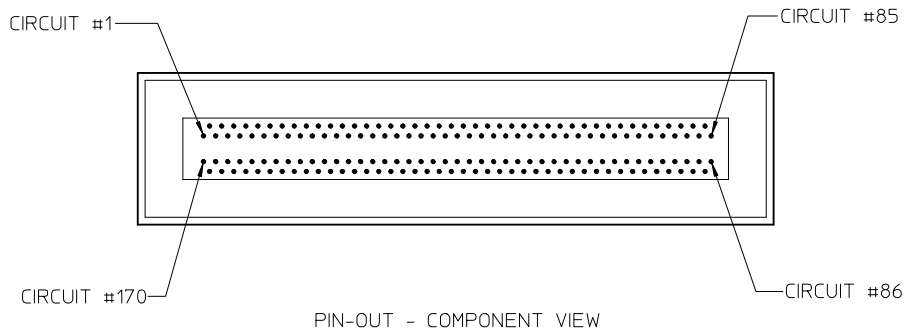
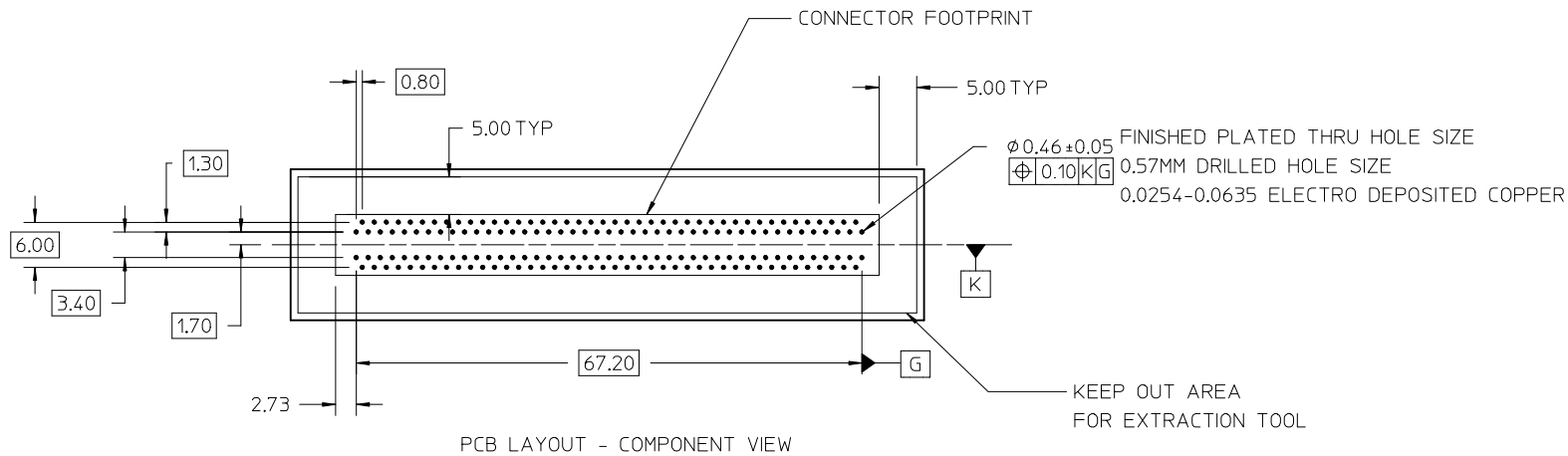
1. MATERIAL:  
HOUSING - GLASS FILLED THERMOPLASTIC, 94-V0, BLACK  
TERMINALS - COPPER ALLOY
2. FINISH:  
CONTACT AREA: HARD GOLD -0.76μm MIN OVER 3.80μm NICKEL  
COMPLIANT AREA: TIN - 0.76/1.52μm OVER NICKEL
3. REFER TO PS-75594-999 PRODUCT SPECIFICATION FOR ALL ELECTRICAL, MECHANICAL AND ENVIRONMENTAL SPECIFICATIONS.
4. REFER TO PK-76693-900 FOR ALL PACKAGING SPECIFICATIONS.
5. PROCESSING: PRESSFIT TO PC BOARD.
6. MATING PC BOARD THICKNESS = 2.36±10% OVER CONTACT PADS.
7. THIS PART CONFORMS TO CLASS B REQUIREMENTS OF COSMETIC SPEC PS-45499-002

NOTE 6, SH 4 D6 WAS +/-0.10% EC NO: UCP2016-4930 DRWN:PREMO 2016/06/29 CHKD: APPR:DMCGOWAN 2016/07/06	QUALITY SYMBOLS	GENERAL TOLERANCES (UNLESS SPECIFIED)		DIMENSION STYLE <b>MM ONLY</b>		SCALE <b>2:1</b>	DESIGN UNITS <b>METRIC</b>	THIRD ANGLE PROJECTION	
	▽=0	mm	INCH	DRAWN BY DROSCA	DATE 2011/03/17	TITLE <b>EDGELINE 12.5GB 170CKTS          0.093"PCB 0.8MM PITCH</b>			
	▽=1			CHECKED BY JCOMERCI	DATE 2011/03/28				
	▽=1	ANGULAR ± 2 °		APPROVED BY JCOMERCI		DATE 2011/03/28	<b>molex</b> DOCUMENT NO. <b>SD-170672-1170</b> SHEET NO. <b>1 OF 4</b>		
REV	DRAFT WHERE APPLICABLE MUST REMAIN WITHIN DIMENSIONS		SIZE C	MATERIAL NO. <b>1706721170</b>					

# EDGE LINE CONNECTOR BOARD MOUNTING

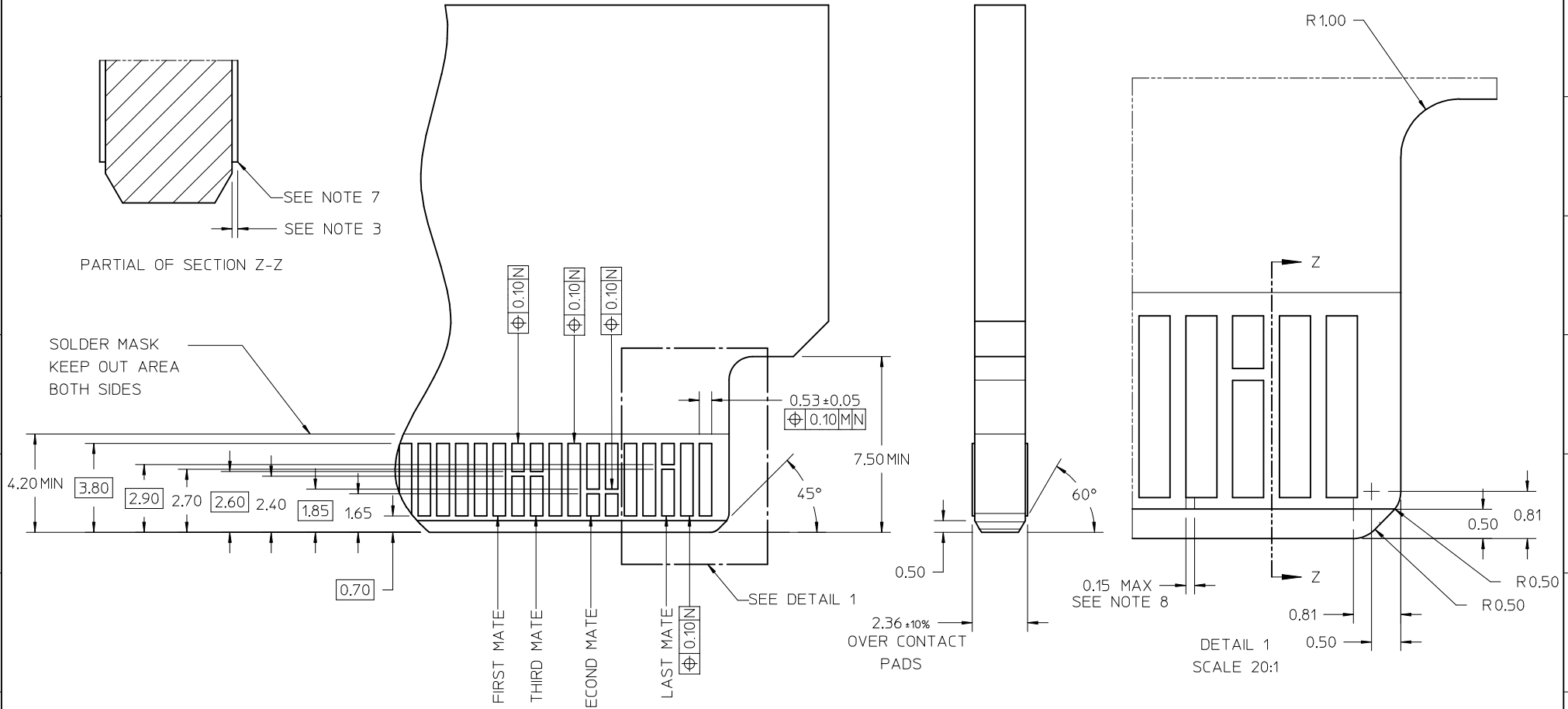


SEE SHEET 1 EC NO: UCP2016-4930 DRWN:TPREMO 2016/06/29 CHKD: APPR:DMCGOWAN 2016/07/06	QUALITY SYMBOLS	GENERAL TOLERANCES (UNLESS SPECIFIED)	DIMENSION STYLE	SCALE	DESIGN UNITS	THIRD ANGLE PROJECTION
	▽=0	mm INCH	MM ONLY	2:1	METRIC	☐
	▽=0	4 PLACES ± --- ± ---	DRAWN BY DATE	TITLE		
	▽=0	3 PLACES ± --- ± ---	DROSCA 2011/03/17	EDGE LINE 12.5GB 170CKTS 0.093"PCB 0.8MM PITCH		
REV	DESCRIPTION	ANGULAR ± 2 °	CHECKED BY DATE	DOCUMENT NO.		
D1		DRAFT WHERE APPLICABLE MUST REMAIN WITHIN DIMENSIONS	JCOMERCI 2011/03/28	SD-170672-1170		
			APPROVED BY DATE	SHEET NO.		
			JCOMERCI 2011/03/28	2 OF 4		
			MATERIAL NO.	THIS DRAWING CONTAINS INFORMATION THAT IS PROPRIETARY TO MOLEX. INCORPORATED AND SHOULD NOT BE USED WITHOUT WRITTEN PERMISSION		
			SEE SHEET 1			



SEE SHEET 1 EC NO: UCP2016-4930 DRWN:TPREMO 2016/06/29 CHKD: APPR:DMCGOWAN 2016/07/06	QUALITY SYMBOLS	GENERAL TOLERANCES (UNLESS SPECIFIED)	DIMENSION STYLE	SCALE	DESIGN UNITS	THIRD ANGLE PROJECTION
	▽=0	mm INCH	MM ONLY	2:1	METRIC	
	▽=0	4 PLACES ± --- ± ---	DRAWN BY DATE	TITLE		
	▽=0	3 PLACES ± --- ± ---	JCOMERC I 2011/03/17	EDGELINE 12.5GB 170CKTS 0.093"PCB 0.8MM PITCH		
	▽=0	2 PLACES ± 0.15 ± ---	CHECKED BY DATE	molex		
	1 PLACE ± 0.25 ± ---	JCOMERC I 2011/03/28	DOCUMENT NO. SD-170672-1170			
	0 PLACE ± ±	APPROVED BY DATE	SHEET NO. 3 OF 4			
		JCOMERC I 2011/03/28	THIS DRAWING CONTAINS INFORMATION THAT IS PROPRIETARY TO MOLEX INCORPORATED AND SHOULD NOT BE USED WITHOUT WRITTEN PERMISSION			
		MATERIAL NO.				
		ANGULAR ± 2 °				
		DRAFT WHERE APPLICABLE MUST REMAIN WITHIN DIMENSIONS				

# MODULE EDGE CARD CONTACT DETAIL



**MATING PCB NOTES:**

1. CONNECTOR LAND CONDITIONS SHALL MEET THE MOST CURRENT REVISION OF PCB SPECIFICATION IPC-6012C-2010 SECTION 3.5.4.4.
2. DIMENSIONS APPLY TO LANDS ON BOTH SIDES OF THE BOARD.
3. THE THICKNESS OF THE OUTER METAL LAYERS, INCLUDING FOIL, COPPER PLATING, AND THE PROTECTIVE SURFACE FINISH, SHALL BE 0.066mm MAX.
4. CHAMFER ROUGHNESS NOT TO EXCEED 3.17 MICROMETERS.
5. CHAMFER PROCESS SHALL NOT DAMAGE THE GOLD EDGE LANDS.
6. EDGE CARD CHAMFER NOT TO GO THRU GOLD LANDS.
7. 0.03mm MAX PLATING OVERHANG ON ALL GOLD LAND EDGES.
8. MOLEX RECOMMENDS NO TIE-BARS ON THE LEADING EDGE OF THE GOLD LAND. IF TIE-BARS ARE USED, THEY SHALL BE PLACED TO ONE SIDE OF THE GOLD LAND. APPLIES TO ALL GOLD LANDS.

SEE SHEET 1 EC NO: UCP2016-4930 DRWN:TPREMO 2016/06/29 CHKD: APPR:DMCGOWAN 2016/07/06	QUALITY SYMBOLS ∇=0 ∇=0 ∇=0	GENERAL TOLERANCES (UNLESS SPECIFIED)		DIMENSION STYLE <b>MM ONLY</b>		SCALE <b>8:1</b>	DESIGN UNITS <b>METRIC</b>	THIRD ANGLE PROJECTION	
		mm	INCH	DRAWN BY DROSCA	DATE 2011/03/17	TITLE <b>EDGELINE 12.5GB 170CKTS 0.093"PCB 0.8MM PITCH</b>		DOCUMENT NO. <b>SD-170672-1170</b>	SHEET NO. <b>4 OF 4</b>
4 PLACES ± --- ± ---		CHECKED BY JCOMERC I	DATE 2011/03/28						
3 PLACES ± --- ± ---		APPROVED BY JCOMERC I	DATE 2011/03/28						
2 PLACES ± 0.15 ± ---		MATERIAL NO.							
1 PLACE ± 0.25 ± ---		DRAFT WHERE APPLICABLE MUST REMAIN WITHIN DIMENSIONS		SEE SHEET 1					
0 PLACE ± ±									
		ANGULAR ± 2 °							
				THIS DRAWING CONTAINS INFORMATION THAT IS PROPRIETARY TO MOLEX INCORPORATED AND SHOULD NOT BE USED WITHOUT WRITTEN PERMISSION					