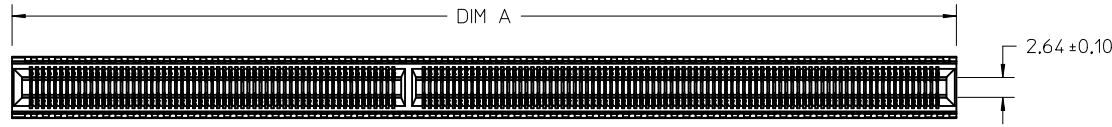
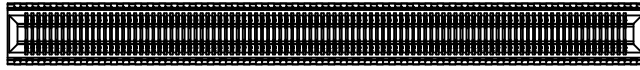


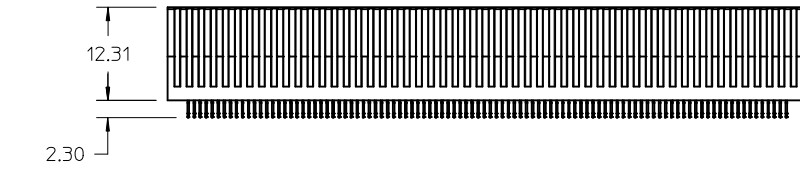
PART NUMBER	VERSION	BAY 1/BAY 2	TOTAL CIRCUITS	DIM A	SALES DRAWING (SEE NOTE 7)
170672-2294	2 BAY	122/172	294	125.03	SD-170672-2294
170672-2278	2 BAY	146/132	278	118.63	SD-170672-2278
170672-1200	1 BAY	200	200	84.20	SD-170672-1200
170672-1170	1 BAY	170	170	72.20	SD-170672-1170
170672-2108	2 BAY	86/22	108	50.6	SD-170672-2108



2 BAY EDGELINE

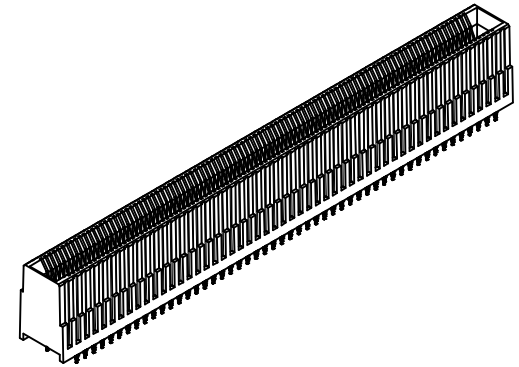
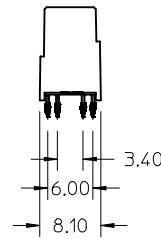


1 BAY EDGELINE



LAST CIRCUIT

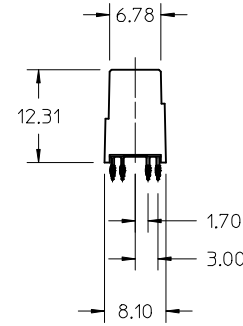
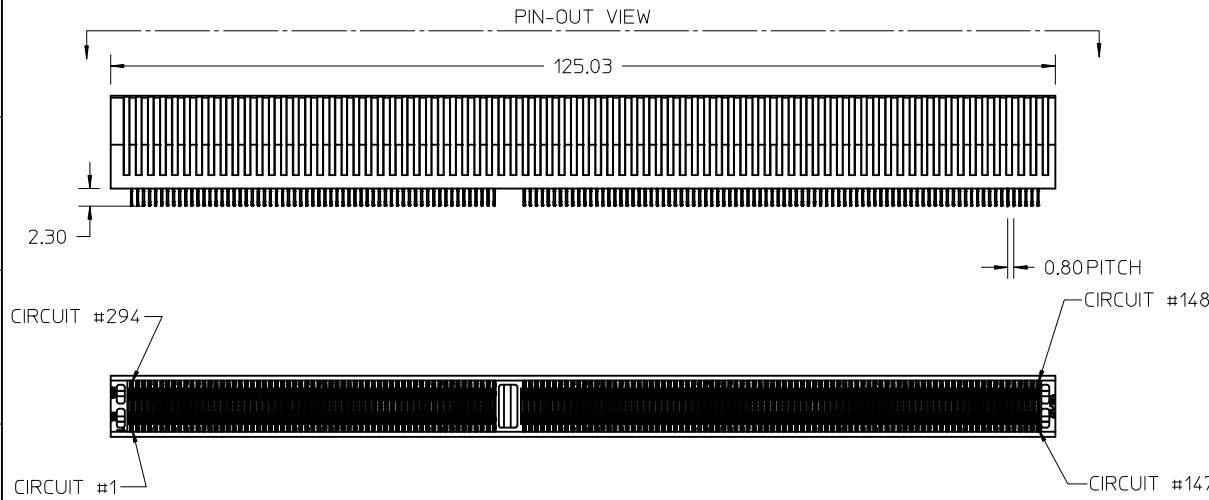
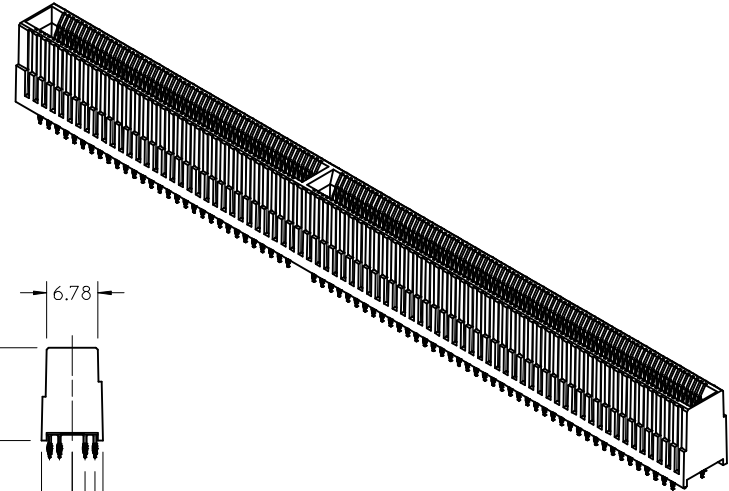
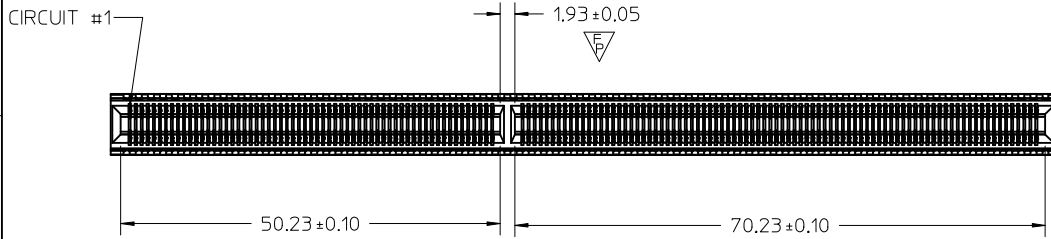
FIRST CIRCUIT



NOTES:

- MATERIAL:  
HOUSING - GLASS FILLED THERMOPLASTIC, 94-V0, BLACK  
TERMINALS - COPPER ALLOY
- FINISH:  
CONTACT AREA: HARD GOLD -0.76µm MIN OVER 3.80µ NICKEL  
COMPLIANT AREA: TIN - 0.76/1.52µm OVER NICKEL
- REFER TO PS-75594-999 PRODUCT SPECIFICATION FOR ALL ELECTRICAL, MECHANICAL AND ENVIRONMENTAL SPECIFICATIONS.
- PROCESSING: PRESSFIT TO PC BOARD.
- MATING PC BOARD THICKNESS = 2.36±10% OVER CONTACT PADS.
- THIS PART CONFORMS TO CLASS B REQUIREMENTS OF COSMETIC SPEC PS-45499-002
- FOR EDGE CARD AND MOUNTING PCB LAYOUT DETAIL SEE CORRESPONDING SALES DRAWING.

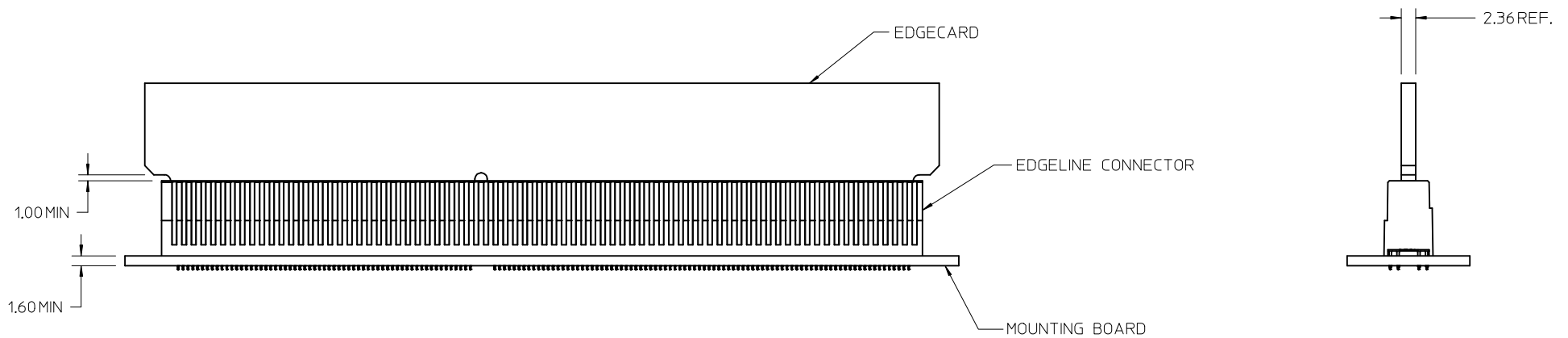
<b>CORRECT 10% TOLERANCE</b> IEC NO: UCP2017-1945 DRAWN BY: DRWIN:POFF 2017/03/09 CHECKED BY: CHKD:MORGAN 2017/03/09 APPR: KLANG 2017/03/15 REV: C1	QUALITY SYMBOLS 	GENERAL TOLERANCES (UNLESS SPECIFIED)		DIMENSION STYLE <b>MM ONLY</b>	SCALE <b>2:1</b>	DESIGN UNITS <b>METRIC</b>	THIRD ANGLE PROJECTION																		
		<table border="1"> <thead> <tr> <th></th> <th>mm</th> <th>INCH</th> </tr> </thead> <tbody> <tr> <td>4 PLACES</td> <td>± ---</td> <td>± ---</td> </tr> <tr> <td>3 PLACES</td> <td>± ---</td> <td>± ---</td> </tr> <tr> <td>2 PLACES</td> <td>± ---</td> <td>± ---</td> </tr> <tr> <td>1 PLACE</td> <td>± ---</td> <td>± ---</td> </tr> <tr> <td>0 PLACE</td> <td>±</td> <td>±</td> </tr> </tbody> </table>		mm	INCH	4 PLACES	± ---	± ---	3 PLACES	± ---	± ---	2 PLACES	± ---	± ---	1 PLACE	± ---	± ---	0 PLACE	±	±	DRAWN BY: DROSCA DATE: 2010/07/01	TITLE: <b>EDGELINE 12.5GB</b> <b>0.093" PCB 0.8MM PITCH</b>			
		mm	INCH																						
	4 PLACES	± ---	± ---																						
3 PLACES	± ---	± ---																							
2 PLACES	± ---	± ---																							
1 PLACE	± ---	± ---																							
0 PLACE	±	±																							
	ANGULAR ±1/2° DRAFT WHERE APPLICABLE MUST REMAIN WITHIN DIMENSIONS	CHECKED BY: JCOMERCI DATE: 2011/03/28	<b>molex</b>																						
	MATERIAL NO. <b>SEE TABLE</b>	APPROVED BY: JCOMERCI DATE: 2010/10/25	DOCUMENT NO. <b>SD-170672-0001</b>																						
			THIS DRAWING CONTAINS INFORMATION THAT IS PROPRIETARY TO MOLEX INCORPORATED AND SHOULD NOT BE USED WITHOUT WRITTEN PERMISSION																						



- NOTES:
- MATERIAL:  
HOUSING - GLASS FILLED THERMOPLASTIC, 94-V0, BLACK  
TERMINALS - COPPER ALLOY
  - FINISH:  
CONTACT AREA: HARD GOLD -0.76µm MIN OVER 3.80µ NICKEL  
COMPLIANT AREA: TIN - 0.76/1.52µm OVER NICKEL
  - REFER TO PS-75594-999 PRODUCT SPECIFICATION FOR ALL ELECTRICAL, MECHANICAL AND ENVIRONMENTAL SPECIFICATIONS.
  - REFER TO PK-76693-900 FOR ALL PACKAGING SPECIFICATIONS.
  - PROCESSING: PRESSFIT TO PC BOARD.
  - MATING PC BOARD THICKNESS = 2.36±10% OVER CONTACT PADS.
  - THIS PART CONFORMS TO CLASS B REQUIREMENTS OF COSMETIC SPEC PS-45499-002.

<b>CORRECT 10% TOLERANCE</b> IEC NO: UCP2017-1945 DRAWN BY: DRWINPOFF 2017/03/09 CHECKED BY: CHKD:MORGAN 2017/03/09 APPR:KLANG 2017/03/15	QUALITY SYMBOLS ▽=0 ▽=1 ▽=1	GENERAL TOLERANCES (UNLESS SPECIFIED)		DIMENSION STYLE <b>MM ONLY</b>		SCALE <b>2:1</b>	DESIGN UNITS <b>METRIC</b>	THIRD ANGLE PROJECTION	
		mm      INCH	DRAWN BY      DATE DROSCA      2011/03/16		TITLE <b>EDGE LINE 0.093" 294CKTS</b> <b>0.093"PCB 0.8MM PITCH</b>				
		4 PLACES ± --- ± --- 3 PLACES ± --- ± --- 2 PLACES ± 0.15 ± --- 1 PLACE ± 0.25 ± --- 0 PLACE ±      ±	CHECKED BY      DATE JCOMERC I      2011/03/28		APPROVED BY      DATE JCOMERC I      2011/03/28				
	D1	DESCRIPTION REV	ANGULAR ± 2 ° DRAFT WHERE APPLICABLE MUST REMAIN WITHIN DIMENSIONS		MATERIAL NO. <b>1706722294</b>	THIS DRAWING CONTAINS INFORMATION THAT IS PROPRIETARY TO MOLEX INCORPORATED AND SHOULD NOT BE USED WITHOUT WRITTEN PERMISSION			

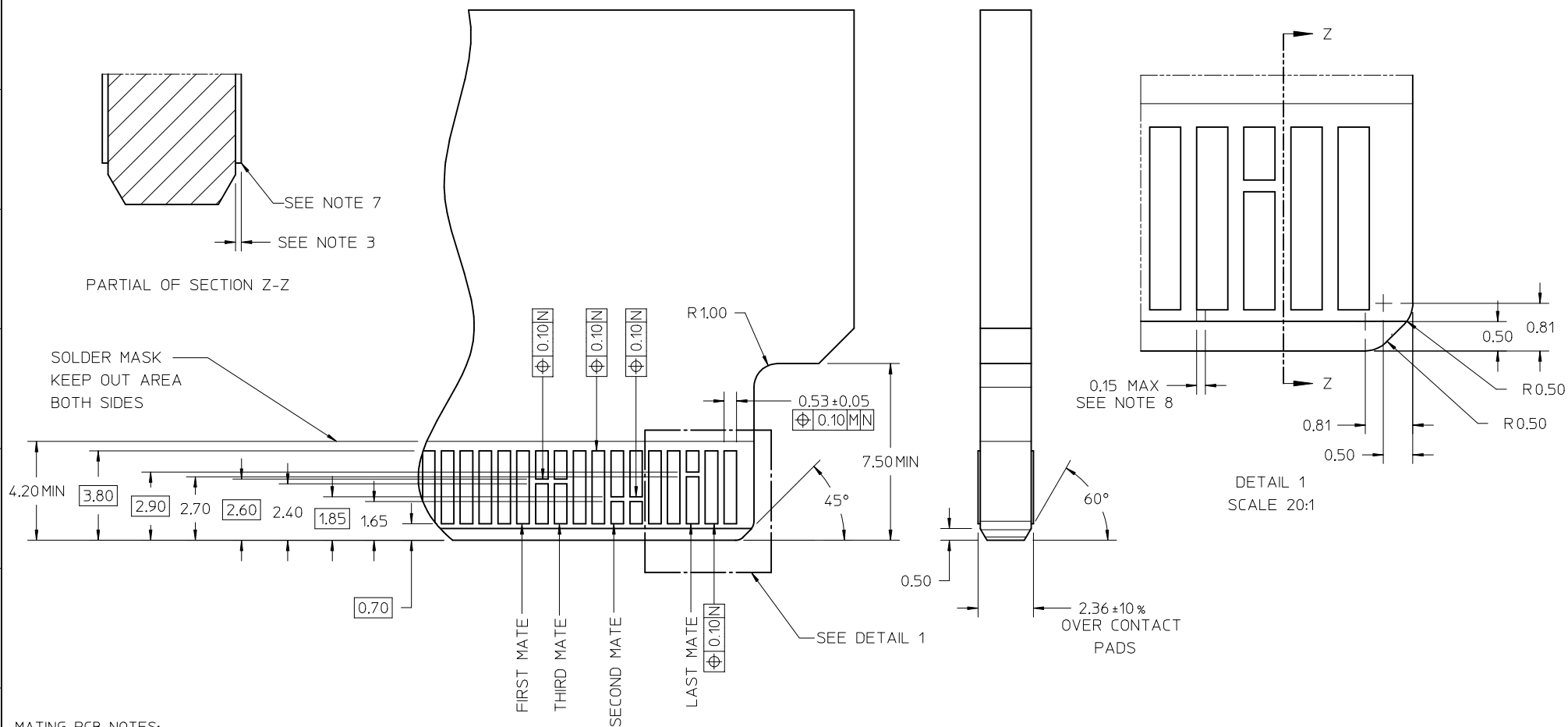
# EDGE LINE CONNECTOR BOARD MOUNTING



<b>ENTER DESCRIPTION</b> EC NO: UCP2017-1945 DRWN:MP0FF 2017/03/09 CHKD:JMORGAN 2017/03/09 APPR:KLANG 2017/03/15 REV: D1	QUALITY SYMBOLS		GENERAL TOLERANCES (UNLESS SPECIFIED)		DIMENSION STYLE	SCALE	DESIGN UNITS	THIRD ANGLE PROJECTION	
	▽=0	▽=0	▽=0	mm	INCH	MM ONLY	2:1	METRIC	TITLE <b>EDGE LINE 0.093" 294CKTS</b> 0.093"PCB 0.8MM PITCH  <b>molex</b>  DOCUMENT NO. SD-170672-2294  SHEET NO. 2 OF 4
	▽=0	▽=0	▽=0	4 PLACES ± ---	± ---	DRAWN BY	DATE		
	▽=0	▽=0	▽=0	3 PLACES ± ---	± ---	CHECKED BY	DATE		
▽=0	▽=0	▽=0	2 PLACES ± 0.15	± ---	JCOMERC I	2011/03/28			
			1 PLACE ± 0.25	± ---	APPROVED BY	DATE			
			0 PLACE ±	±	JCOMERC I	2011/03/28			
			ANGULAR ± 2 °		MATERIAL NO.				
			DRAFT WHERE APPLICABLE MUST REMAIN WITHIN DIMENSIONS		9999999999				
					SIZE	THIS DRAWING CONTAINS INFORMATION THAT IS PROPRIETARY TO MOLEX INCORPORATED AND SHOULD NOT BE USED WITHOUT WRITTEN PERMISSION			



# MODULE EDGE CARD CONTACT DETAIL



## MATING PCB NOTES:

- CONNECTOR LAND CONDITIONS SHALL MEET THE MOST CURRENT REVISION OF PCB SPECIFICATION IPC-6012C-2010 SECTION 3.5.4.4.
- DIMENSIONS APPLY TO LANDS ON BOTH SIDES OF THE BOARD.
- THE THICKNESS OF THE OUTER METAL LAYERS, INCLUDING FOIL, COPPER PLATING, AND THE PROTECTIVE SURFACE FINISH, SHALL BE 0.066mm MAX.
- CHAMFER ROUGHNESS NOT TO EXCEED 3.17 MICROMETERS.
- CHAMFER PROCESS SHALL NOT DAMAGE THE GOLD EDGE LANDS.
- EDGE CARD CHAMFER NOT TO GO THRU GOLD LANDS.
- 0.03mm MAX PLATING OVERHANG ON ALL GOLD LAND EDGES.
- MOLEX RECOMMENDS NO TIE-BARS ON THE LEADING EDGE OF THE GOLD LAND. IF TIE-BARS ARE USED, THEY SHALL BE PLACED TO ONE SIDE OF THE GOLD LAND. APPLIES TO ALL GOLD LANDS.

SEE SHEET 1 EC NO: UCP2017-1945 DRAWN BY: DRWINPOFF CHKD: DMORGAN APPR: KLANG	REVISION D1	DESCRIPTION 2017/03/09 2017/03/09 2017/03/15	QUALITY SYMBOLS ▽=0 ▽=0 ▽=0	GENERAL TOLERANCES (UNLESS SPECIFIED)		DIMENSION STYLE MM ONLY		SCALE 8:1	DESIGN UNITS METRIC	THIRD ANGLE PROJECTION
				mm	INCH	DRAWN BY DROSCA	DATE 2011/03/16	TITLE EDGELINE 0.093" 294CKTS 0.093"PCB 0.8MM PITCH		
DRAFT WHERE APPLICABLE MUST REMAIN WITHIN DIMENSIONS				4 PLACES ± --- ± ---		CHECKED BY JCOMERC I		DATE 2011/03/28		DOCUMENT NO. SD-170672-2294
				3 PLACES ± --- ± ---		APPROVED BY JCOMERC I		DATE 2011/03/28		
ANGULAR ± 2 °				2 PLACES ± 0.15 ± ---		MATERIAL NO.		SHEET NO. 4 OF 4		
				1 PLACE ± 0.25 ± ---		SEE SHEET 1				
THIS DRAWING CONTAINS INFORMATION THAT IS PROPRIETARY TO MOLEX INCORPORATED AND SHOULD NOT BE USED WITHOUT WRITTEN PERMISSION				0 PLACE ± ±		MATERIAL NO.				
				0 PLACE ± ±		MATERIAL NO.				