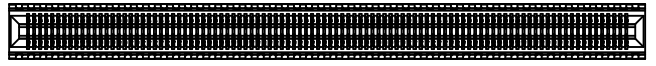
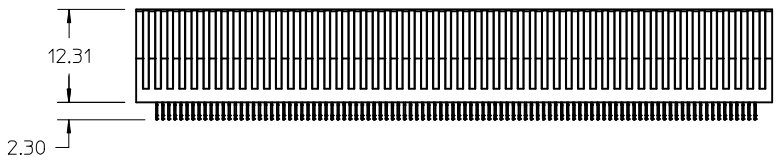


PART NUMBER	VERSION	BAY 1/BAY 2	TOTAL CIRCUITS	DIM A	SALES DRAWING (SEE NOTE 8)
170673-2278	2 BAY	146/132	278	118.63	SD-170673-2278
170673-1200	1 BAY	200	200	84.20	SD-170673-1200
170673-2108	2 BAY	86/22	108	50.63	SD-170673-2108
170673-2080	2 BAY	52/28	80	39.43	SD-170673-2080
170673-1046	1 BAY	46	46	22.60	SD-170673-1046

2 BAY EDGELINE

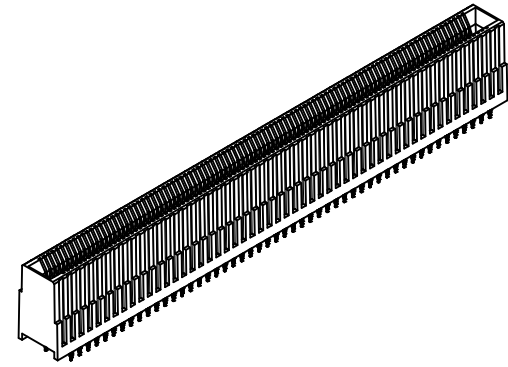
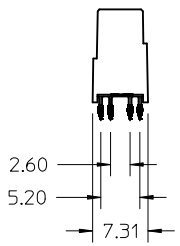


1 BAY EDGELINE



LAST CIRCUIT

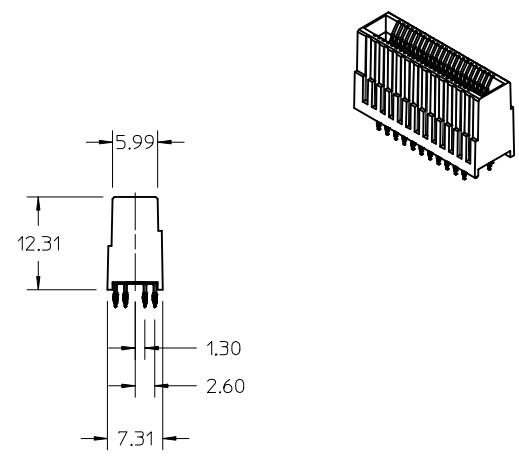
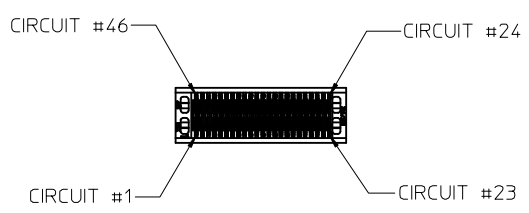
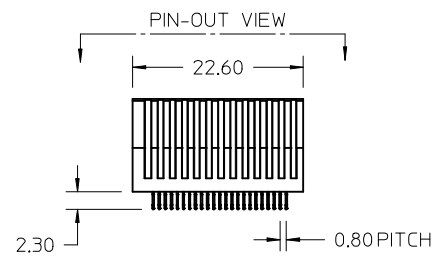
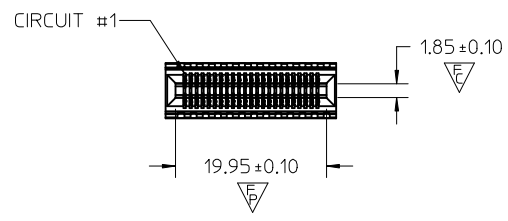
FIRST CIRCUIT



NOTES:

- MATERIAL:
HOUSING - GLASS FILLED THERMOPLASTIC, 94-V0, BLACK
TERMINALS - COPPER ALLOY
- FINISH:
CONTACT AREA: HARD GOLD -0.76μm MIN OVER 3.80μ NICKEL
COMPLIANT AREA: TIN - 0.76/1.52μm OVER NICKEL
- REFER TO PS-75594-999 PRODUCT SPECIFICATION FOR ALL ELECTRICAL, MECHANICAL AND ENVIRONMENTAL SPECIFICATIONS.
- PROCESSING: PRESSFIT TO PC BOARD.
- MATING PC BOARD THICKNESS = 1.60±0.16MM OVER CONTACT PADS.
- PRODUCT IS ELV AND RoHS COMPLIANT. LEVEL OF COMPLIANCE: 6/6
ALL BANNED SUBSTANCES ARE REMOVED:
Pb (LEAD)
HEXAVALENT CHROMIUM (CrVI)
CADMIUM
MERCURY
POLYBROMINATED BIPHENYL (PBB)
POLYBROMINATED DIPHENYL ETHER (PBDE)
- THIS PART CONFORMS TO CLASS B REQUIREMENTS OF COSMETIC SPEC PS-45499-002
- FOR EDGECARD AND MOUNTING PCB LAYOUT DETAIL SEE CORRESPONDING SALES DRAWING.

RELEASED REV A EC NO: UCP2011-2702 DRWNG: DROSCA 2011/03/07 CHKD: JCOMERC I 2011/03/28 APPR: JCOMERC I 2011/03/28	DESCRIPTION REV 0 0 0	QUALITY SYMBOLS	GENERAL TOLERANCES (UNLESS SPECIFIED)	DIMENSION STYLE MM ONLY	SCALE 2:1	DESIGN UNITS METRIC	THIRD ANGLE PROJECTION																											
			<table border="1"> <thead> <tr> <th></th> <th>mm</th> <th>INCH</th> </tr> </thead> <tbody> <tr> <td>4 PLACES</td> <td>± ---</td> <td>± ---</td> </tr> <tr> <td>3 PLACES</td> <td>± ---</td> <td>± ---</td> </tr> <tr> <td>2 PLACES</td> <td>± ---</td> <td>± ---</td> </tr> <tr> <td>1 PLACE</td> <td>± ---</td> <td>± ---</td> </tr> </tbody> </table>		mm	INCH	4 PLACES	± ---	± ---	3 PLACES	± ---	± ---	2 PLACES	± ---	± ---	1 PLACE	± ---	± ---	<table border="1"> <thead> <tr> <th>DRAWN BY</th> <th>DATE</th> </tr> </thead> <tbody> <tr> <td>DROSCA</td> <td>2010/06/22</td> </tr> <tr> <th>CHECKED BY</th> <th>DATE</th> </tr> <tr> <td>JCOMERC I</td> <td>2010/06/22</td> </tr> <tr> <th>APPROVED BY</th> <th>DATE</th> </tr> <tr> <td>JCOMERC I</td> <td>2010/10/25</td> </tr> </tbody> </table>	DRAWN BY	DATE	DROSCA	2010/06/22	CHECKED BY	DATE	JCOMERC I	2010/06/22	APPROVED BY	DATE	JCOMERC I	2010/10/25	EDGELINE 12.5GB 0.062*PCB 0.8MM PITCH		
			mm	INCH																														
4 PLACES	± ---	± ---																																
3 PLACES	± ---	± ---																																
2 PLACES	± ---	± ---																																
1 PLACE	± ---	± ---																																
DRAWN BY	DATE																																	
DROSCA	2010/06/22																																	
CHECKED BY	DATE																																	
JCOMERC I	2010/06/22																																	
APPROVED BY	DATE																																	
JCOMERC I	2010/10/25																																	
DRAFT WHERE APPLICABLE MUST REMAIN WITHIN DIMENSIONS		MATERIAL NO. SEE TABLE	DOCUMENT NO. SD-170673-0001	SHEET NO. 1 OF 1																														

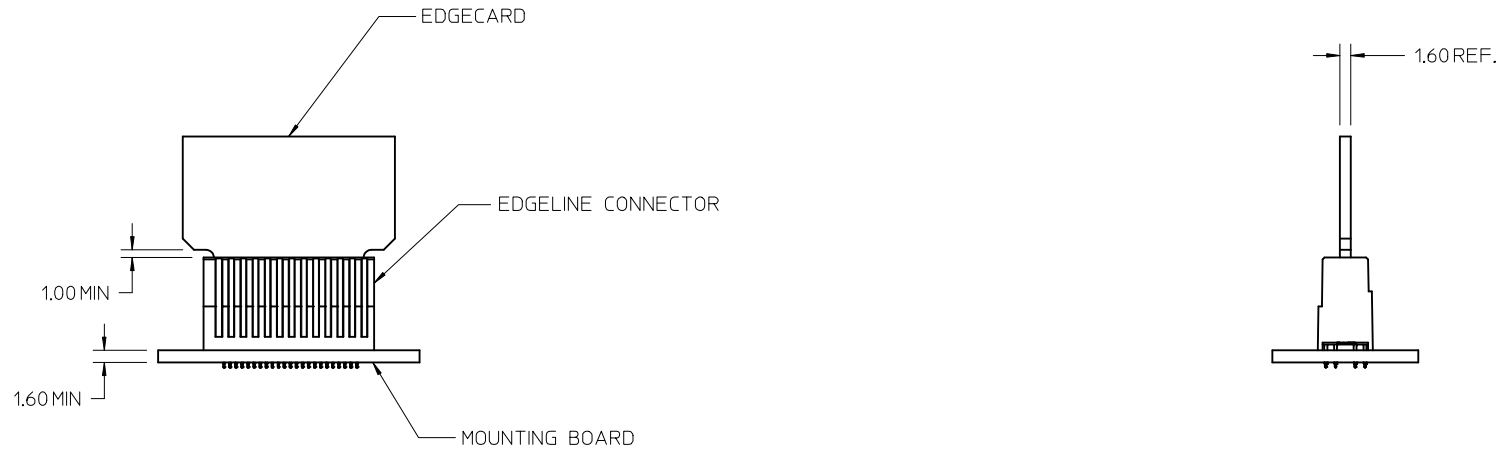


NOTES:

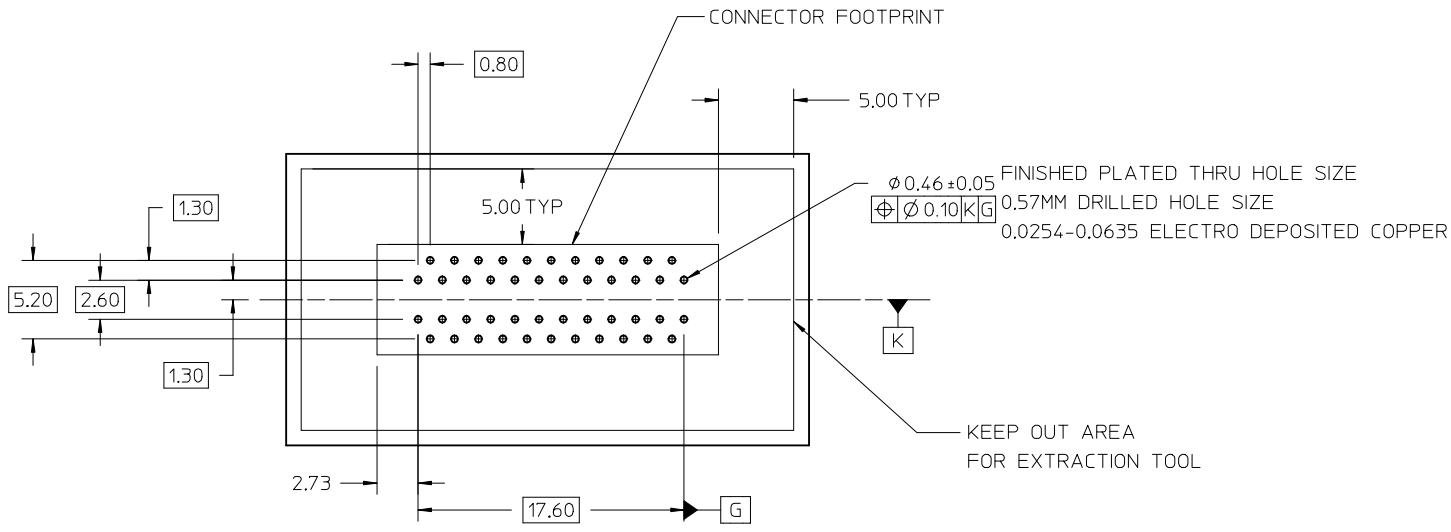
1. MATERIAL:
HOUSING - GLASS FILLED THERMOPLASTIC, 94-V0, BLACK
TERMINALS - COPPER ALLOY
2. FINISH:
CONTACT AREA: HARD GOLD -0.76µm MIN OVER 3.80µ NICKEL
COMPLIANT AREA: TIN - 0.76/1.52µm OVER NICKEL
3. REFER TO PS-75594-999 PRODUCT SPECIFICATION FOR ALL ELECTRICAL, MECHANICAL AND ENVIRONMENTAL SPECIFICATIONS.
4. REFER TO PK-76693-900 FOR ALL PACKAGING SPECIFICATIONS.
5. PROCESSING: PRESSFIT TO PC BOARD.
6. MATING PC BOARD THICKNESS = 1.60±0.16MM OVER CONTACT PADS.
7. THIS PART CONFORMS TO CLASS B REQUIREMENTS OF COSMETIC SPEC PS-45499-002

CORRECT EDGE CARD WIDTH TOLERANCE EC NO: UCP2016-4620 2016/06/02 DRWNGES CHKD: APPR:DMCGOWAN 2016/06/13	DESCRIPTION REV	QUALITY SYMBOLS ▽=0 ▽=1 ▽=1	GENERAL TOLERANCES (UNLESS SPECIFIED)		DIMENSION STYLE MM ONLY		SCALE 2:1	DESIGN UNITS METRIC	THIRD ANGLE PROJECTION 	
					DRAWN BY DROSCA	DATE 2011/03/18	TITLE EDGELINE 12.5GB 46CKTS 0.062*PCB 0.8MM PITCH			
					4 PLACES ± --- ± ---	3 PLACES ± --- ± ---	CHECKED BY JCOMERC I	DATE 2011/03/28		
					2 PLACES ± 0.15 ± ---	1 PLACE ± 0.25 ± ---	APPROVED BY JCOMERC I	DATE 2011/03/28		
		ANGULAR ± 2 °		MATERIAL NO. 1707631046		DOCUMENT NO. SD-170673-1046		SHEET NO. 1 OF 4		
		DRAFT WHERE APPLICABLE MUST REMAIN WITHIN DIMENSIONS		THIS DRAWING CONTAINS INFORMATION THAT IS PROPRIETARY TO MOLEX INCORPORATED AND SHOULD NOT BE USED WITHOUT WRITTEN PERMISSION						

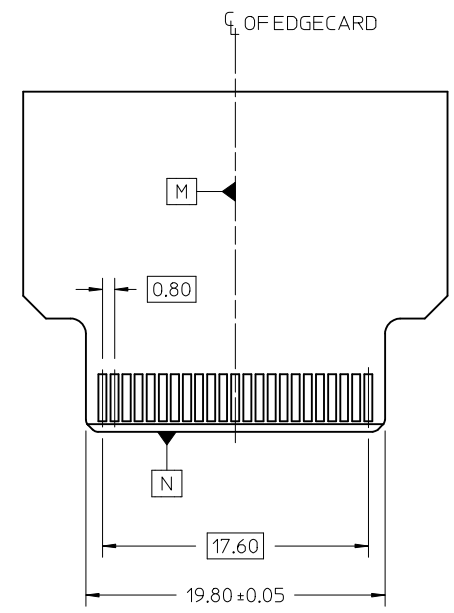
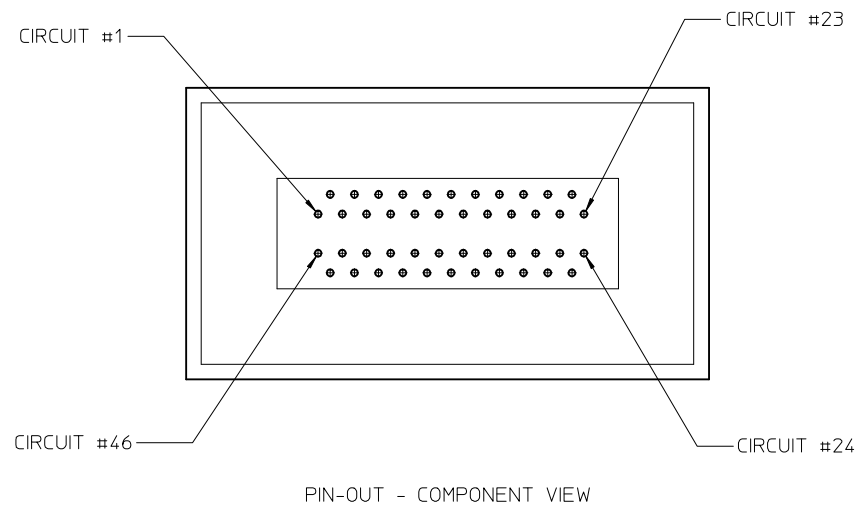
EDGE LINE CONNECTOR BOARD MOUNTING



SEE SHEET 1 EC NO: UCP2016-4620 2016/06/02 DRWNGES CHKD: APPR:DMCGOWAN 2016/06/13	QUALITY SYMBOLS ▽=0 ▽=0 ▽=0	GENERAL TOLERANCES (UNLESS SPECIFIED)		DIMENSION STYLE MM ONLY		SCALE 2:1	DESIGN UNITS METRIC	THIRD ANGLE PROJECTION	
		4 PLACES ± --- ± --- 3 PLACES ± --- ± --- 2 PLACES ± 0.15 ± --- 1 PLACE ± 0.25 ± --- 0 PLACE ± ±	mm INCH DRAWN BY DATE DROSCA 2011/03/18 CHECKED BY DATE JCOMERC I 2011/03/28 APPROVED BY DATE JCOMERC I 2011/03/28	TITLE EDGELINE 12.5GB 46CKTS 0.062"PCB 0.8MM PITCH		MATERIAL NO. SEE SHEET 1		DOCUMENT NO. SD-170673-1046	SHEET NO. 2 OF 4
DRAFT WHERE APPLICABLE MUST REMAIN WITHIN DIMENSIONS		ANGULAR ± 2 °		THIS DRAWING CONTAINS INFORMATION THAT IS PROPRIETARY TO MOLEX INCORPORATED AND SHOULD NOT BE USED WITHOUT WRITTEN PERMISSION					

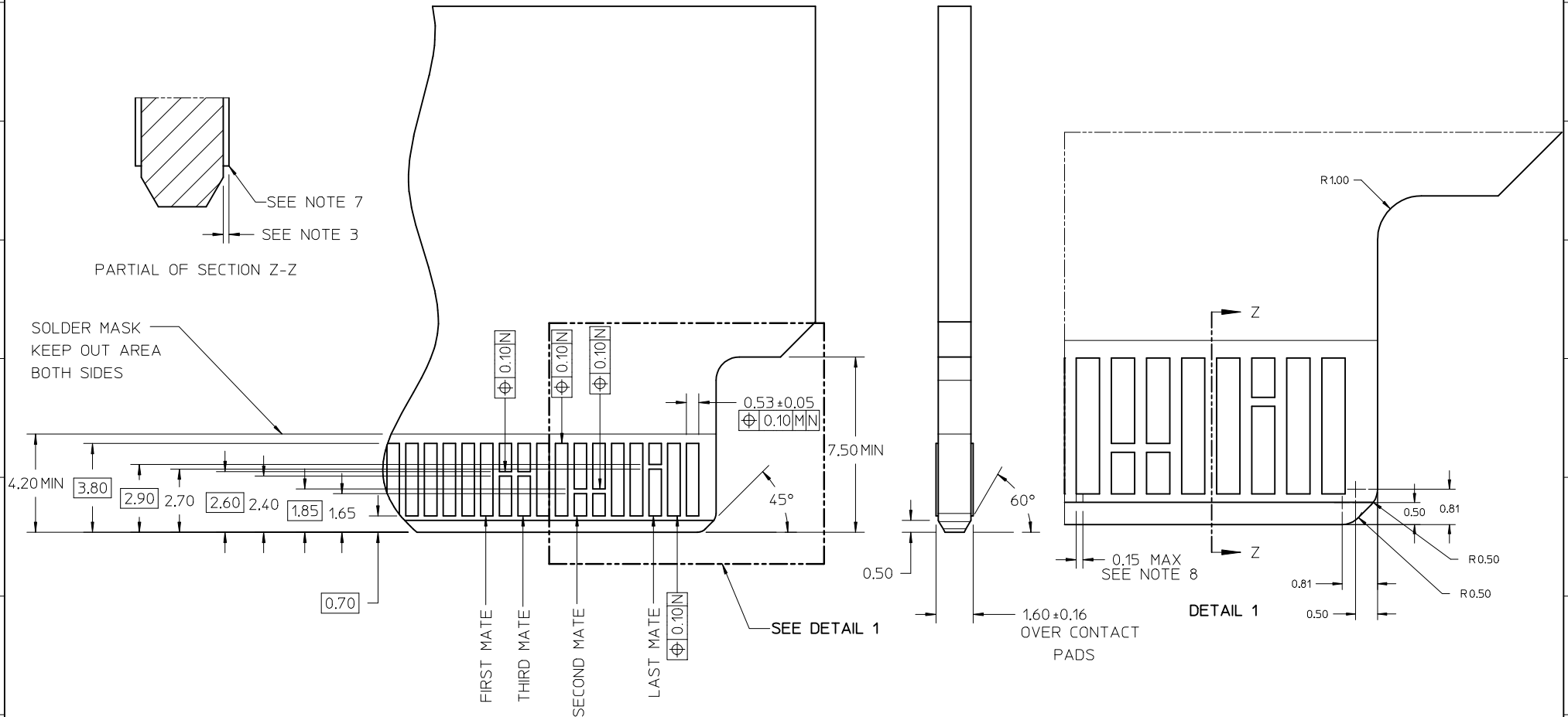


PCB LAYOUT - COMPONENT VIEW



SEE SHEET 1 EC NO: UCP2016-4620 DRAWINGS 2016/06/02 CHKD: APPR:DMCGOWAN 2016/06/13 REV:	QUALITY SYMBOLS	GENERAL TOLERANCES (UNLESS SPECIFIED)		DIMENSION STYLE MM ONLY		SCALE 4:1	DESIGN UNITS METRIC	THIRD ANGLE PROJECTION	
	▽=0	mm	INCH	DRAWN BY	DATE	TITLE			
	▽=0	4 PLACES ± ---	± ---	DROSCA	2011/03/18	EDGELINE 12.5GB 46CKTS			
	▽=0	3 PLACES ± ---	± ---	CHECKED BY	DATE	0.062"PCB 0.8MM PITCH			
	▽=0	2 PLACES ± 0.15	± ---	JCOMERCI	2011/03/28	molex DOCUMENT NO. SD-170673-1046 SHEET NO. 3 OF 4			
	1 PLACE ± 0.25	± ---	APPROVED BY	DATE					
	0 PLACE ±	±	JCOMERCI	2011/03/28	MATERIAL NO.		SIZE		
ANGULAR ± 2 °			DRAFT WHERE APPLICABLE MUST REMAIN WITHIN DIMENSIONS		SEE SHEET 1		THIS DRAWING CONTAINS INFORMATION THAT IS PROPRIETARY TO MOLEX INCORPORATED AND SHOULD NOT BE USED WITHOUT WRITTEN PERMISSION		

MODULE EDGE CARD CONTACT DETAIL



MATING PCB NOTES:

- CONNECTOR LAND CONDITIONS SHALL MEET THE MOST CURRENT REVISION OF PCB SPECIFICATION IPC-6012C-2010 SECTION 3.5.4.4.
- DIMENSIONS APPLY TO LANDS ON BOTH SIDES OF THE BOARD.
- THE THICKNESS OF THE OUTER METAL LAYERS, INCLUDING FOIL, COPPER PLATING, AND THE PROTECTIVE SURFACE FINISH, SHALL BE 0.066mm MAX.
- CHAMFER ROUGHNESS NOT TO EXCEED 3.17 MICROMETERS.
- CHAMFER PROCESS SHALL NOT DAMAGE THE GOLD EDGE LANDS.
- EDGE CARD CHAMFER NOT TO GO THRU GOLD LANDS.
- 0.03mm MAX PLATING OVERHANG ON ALL GOLD LAND EDGES.
- MOLEX RECOMMENDS NO TIE-BARS ON THE LEADING EDGE OF THE GOLD LAND. IF TIE-BARS ARE USED, THEY SHALL BE PLACED TO ONE SIDE OF THE GOLD LAND. APPLIES TO ALL GOLD LANDS.

SEE SHEET 1 EC NO: UCP2016-4620 DRWNGES 2016/06/02 CHKD: JAPP:DMCGOWAN 2016/06/13 APPR:	QUALITY SYMBOLS	GENERAL TOLERANCES (UNLESS SPECIFIED)		DIMENSION STYLE	SCALE	DESIGN UNITS	THIRD ANGLE PROJECTION
	▽=0	mm	INCH	MM ONLY	8:1	METRIC	
	▽=0	4 PLACES ± ---	± ---	DRAWN BY	DATE	TITLE	
	▽=0	3 PLACES ± ---	± ---	DROSCA	2011/03/18	EDGELINE 12.5GB 46CKTS 0.062"PCB 0.8MM PITCH	
REV	DESCRIPTION	2 PLACES ± 0.15	± ---	CHECKED BY	DATE	DOCUMENT NO.	
		1 PLACE ± 0.25	± ---	JCOMERC I	2011/03/28	SD-170673-1046	
		0 PLACE ±	±	APPROVED BY	DATE	SHEET NO.	
		ANGULAR ± 2 °		JCOMERC I	2011/03/28	4 OF 4	
		DRAFT WHERE APPLICABLE MUST REMAIN WITHIN DIMENSIONS		MATERIAL NO.		THIS DRAWING CONTAINS INFORMATION THAT IS PROPRIETARY TO MOLEX INCORPORATED AND SHOULD NOT BE USED WITHOUT WRITTEN PERMISSION	
				SEE SHEET 1			