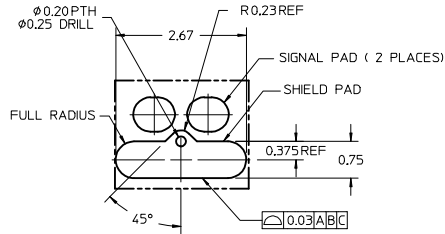


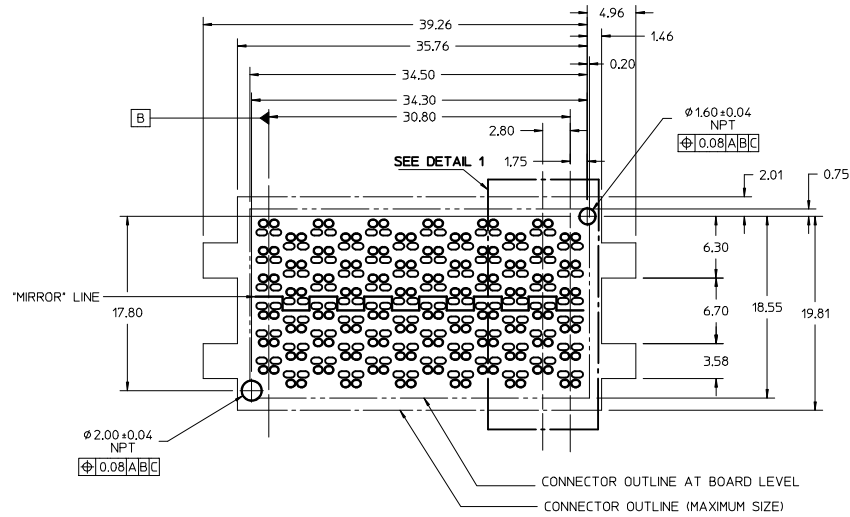
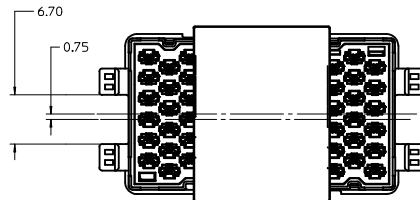
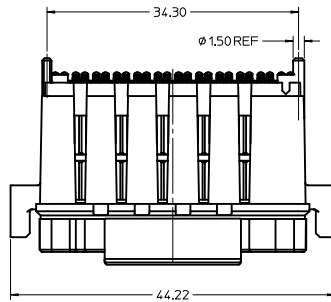
NOTES:

- HOUSING MATERIAL: LCP, GLASS FILLED, UL 94V-0, BLACK
CONTACT MATERIAL: HIGH PERFORMANCE COPPER ALLOY
SOLDER CHARGE: LEAD FREE SOLDER ALLOY
- FINISH:
CONTACTS: SELECTIVE GOLD: 30 MNCHES MIN ON CONTACT AREA,
SELECTIVE TIN : 100 MNCHES MIN ON SOLDERABLE PORTION
OF SOLDER TAILS; OVER 50 MNCHES MIN NICKEL OVERALL.
- PRODUCT SPECIFICATION: PS-170807-0001
- PACKAGING SPECIFICATION: PK-170807-002
- APPLICATION SPECIFICATION: AS-170807-0001



DETAIL 4
SCALE 20:1

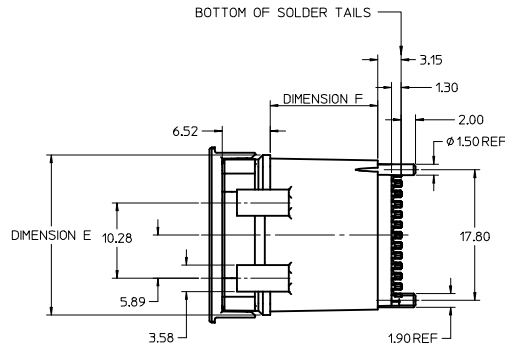
(SOLDER MASK REMOVED TO REVEAL SHIELD TRACE)



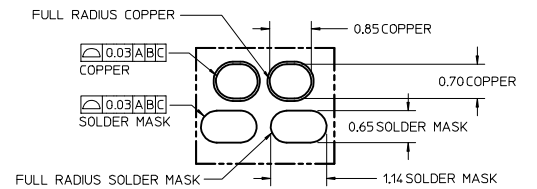
FOOT PRINT
(SCALE 4:1)

FOOT PRINT NOTES:

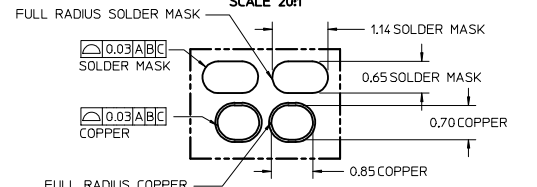
- DATUM -A- IS THE TOP OF THE PCB.
- ALL DIMENSIONS ARE BASICS.
- SEE APPLICATION SPECIFICATION FOR ADDITIONAL INFORMATION.



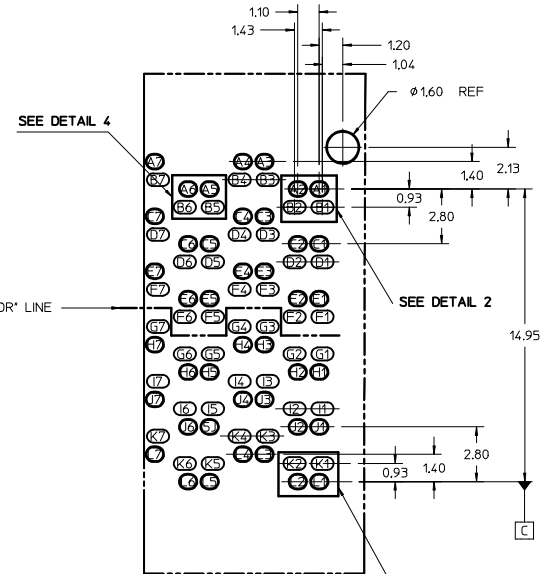
PART ILLUSTRATED IS 170807-2016



DETAIL 2
SCALE 20:1



DETAIL 3
SCALE 20:1

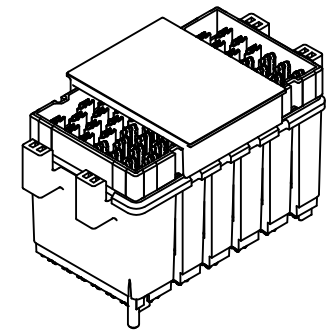


DETAIL 1
SCALE 8:1

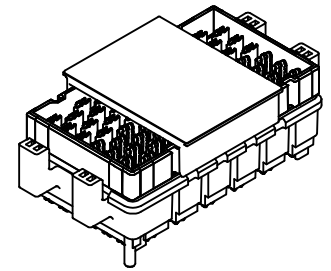
(NUMBERING SCHEME SHOWN)

ADD OPTION IEC NO. UCP2017-1355 DRAWN BY HCGOH 2016/12/19 CHYKXCTCHO 2016/12/19 APPR:SHONG 2017/03/16	QUALITY SYMBOLS	GENERAL TOLERANCES (UNLESS SPECIFIED)	DIMENSION STYLE	SCALE	DESIGN UNITS	THIRD ANGLE PROJECTION
	▽=0	mm INCH	MM ONLY	3:1	METRIC	☉
	▽=0	4 PLACES ± --- ± ---	DRAWN BY DATE	TITLE		
	▽=0	3 PLACES ± --- ± ---	HCGOH 2013/12/30	PLUG 6X12 NEOSCALE		
	2 PLACES ± 0.15 ± ---	CHECKED BY DATE	molex			
	1 PLACE ± --- ± ---	APPROVED BY DATE	SD-170807-2016			SHEET NO. 1 OF 2
	0 PLACE ± --- ± ---	SHONG 2014/01/27	MATERIAL NO. SEE CHART			
		ANGULAR ±1/2°	DOCUMENT NO. SD-170807-2016			
		DRAFT WHERE APPLICABLE MUST REMAIN WITHIN DIMENSIONS	THIS DRAWING CONTAINS INFORMATION THAT IS PROPRIETARY TO MOLEX INCORPORATED AND SHOULD NOT BE USED WITHOUT WRITTEN PERMISSION			

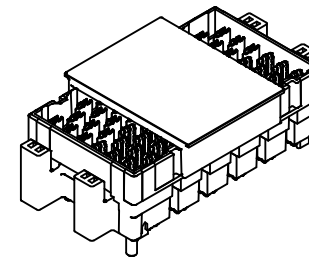
MATERIAL NUMBER	HEIGHT	TRIAD TYPE AND COUNT			DIM E	DIM F	DIM J	MATE WITH
		85 OHMS	100 OHMS	POWER				
1708072016	22.00MM	N/A	72 PLACES	N/A	21.82	14.69	26.11	1708142016 (8MM), 1708142008 (18MM), 1708142025 (15MM)
1708070034	22.00MM	72 PLACES	N/A	N/A	21.82	14.69	26.11	1708140034 (18MM)
1708072008	12.00MM	N/A	72 PLACES	N/A	21.82	4.69	16.11	1708142016 (8MM) & 1708142008 (18MM)
1708072020	8.00MM	N/A	72 PLACES	N/A	20.65	N/A	12.11	1708142016 (8MM) & 1708142008 (18MM)
1708070046	12.00MM	72 PLACES	N/A	N/A	21.82	4.69	16.11	1708140034 (18MM)
1708072027	10.00MM	N/A	72 PLACES	N/A	20.65	N/A	14.11	1708142008 (18MM)
1708072030	15.00MM	N/A	66 PLACES	6 PLACES	20.65	N/A	19.11	1708142016 (8MM)



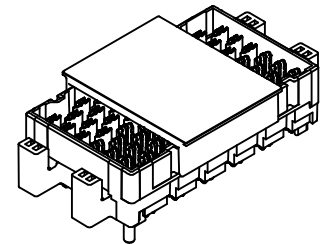
170807-2016/-0034



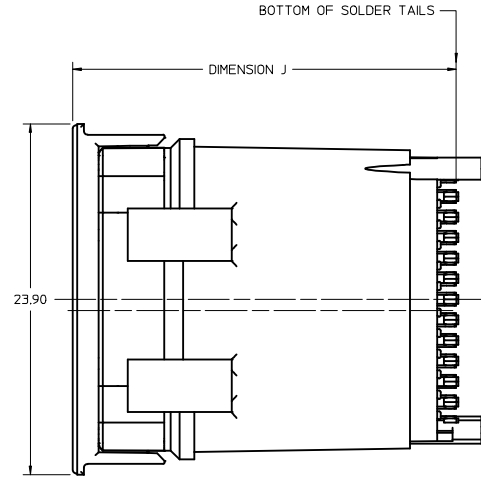
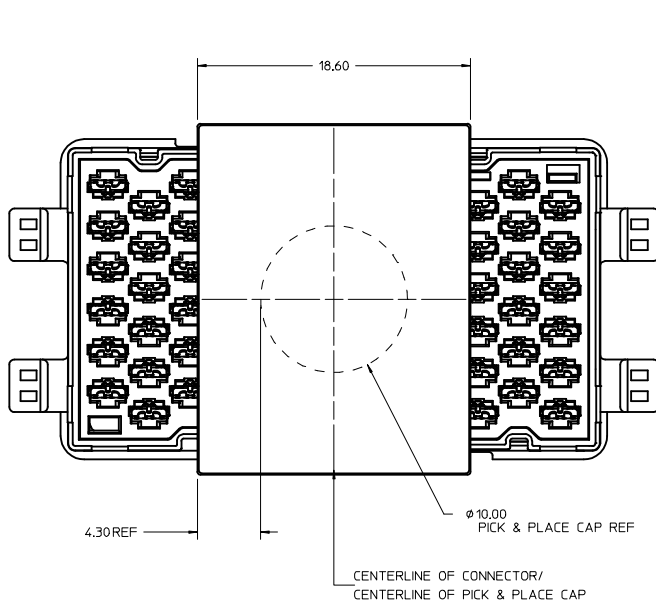
170807-2008/-0046



170807-2027



170807-2020

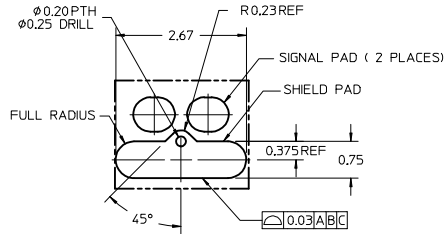


PART ILLUSTRATED IS 170807-2016

SEE SHEET 1 IEC NO: UCP2017-1355 DRAWN BY: HCGOH CHECKED BY: KPELOZA APPR: SHONG DATE: 2016/12/19 DATE: 2013/12/30 DATE: 2013/12/30 DATE: 2014/01/27	QUALITY SYMBOLS	GENERAL TOLERANCES (UNLESS SPECIFIED)	DIMENSION STYLE	SCALE	DESIGN UNITS	THIRD ANGLE PROJECTION																		
	$\nabla=0$ $\nabla=0$ $\nabla=0$	<table border="1"> <thead> <tr> <th></th> <th>mm</th> <th>INCH</th> </tr> </thead> <tbody> <tr> <td>4 PLACES</td> <td>±---</td> <td>±---</td> </tr> <tr> <td>3 PLACES</td> <td>±---</td> <td>±---</td> </tr> <tr> <td>2 PLACES</td> <td>±0.15</td> <td>±---</td> </tr> <tr> <td>1 PLACE</td> <td>±---</td> <td>±---</td> </tr> <tr> <td>0 PLACE</td> <td>±---</td> <td>±---</td> </tr> </tbody> </table>		mm	INCH	4 PLACES	±---	±---	3 PLACES	±---	±---	2 PLACES	±0.15	±---	1 PLACE	±---	±---	0 PLACE	±---	±---	MM ONLY	6:1	METRIC	
		mm	INCH																					
	4 PLACES	±---	±---																					
3 PLACES	±---	±---																						
2 PLACES	±0.15	±---																						
1 PLACE	±---	±---																						
0 PLACE	±---	±---																						
MATERIAL NO. SEE SHEET 1 SIZE D DRAFT WHERE APPLICABLE MUST REMAIN WITHIN DIMENSIONS	DRAWN BY: HCGOH CHECKED BY: KPELOZA APPROVED BY: SHONG DATE: 2013/12/30 DATE: 2013/12/30 DATE: 2014/01/27	TITLE PLUG 6X12 NEOSCALE 	DOCUMENT NO. SD-170807-2016	SHEET NO. 2 OF 2																				
THIS DRAWING CONTAINS INFORMATION THAT IS PROPRIETARY TO MOLEX INCORPORATED AND SHOULD NOT BE USED WITHOUT WRITTEN PERMISSION																								

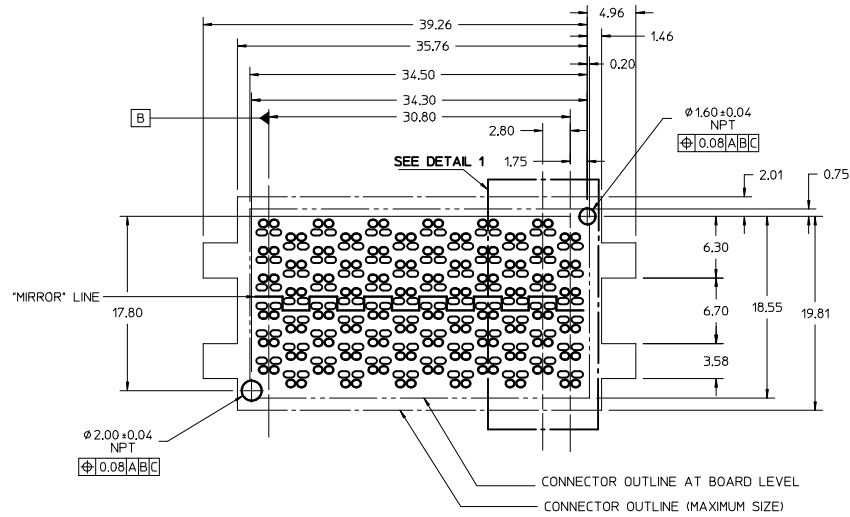
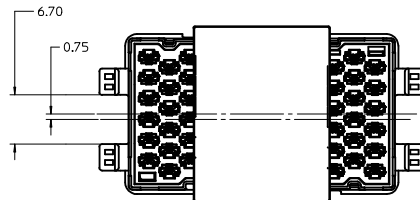
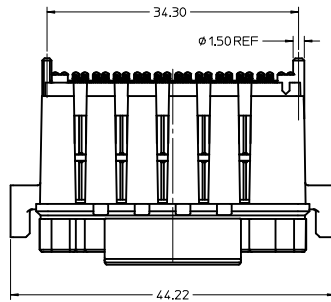
NOTES:

- HOUSING MATERIAL: LCP, GLASS FILLED, UL 94V-0, BLACK
CONTACT MATERIAL: HIGH PERFORMANCE COPPER ALLOY
SOLDER CHARGE: LEAD FREE SOLDER ALLOY
- FINISH:
CONTACTS: SELECTIVE GOLD: 30 MNCHES MIN ON CONTACT AREA,
SELECTIVE TIN : 100 MNCHES MIN ON SOLDERABLE PORTION
OF SOLDER TAILS; OVER 50 MNCHES MIN NICKEL OVERALL.
- PRODUCT SPECIFICATION: PS-170807-0001
- PACKAGING SPECIFICATION: PK-170807-002
- APPLICATION SPECIFICATION: AS-170807-0001



DETAIL 4
SCALE 20:1

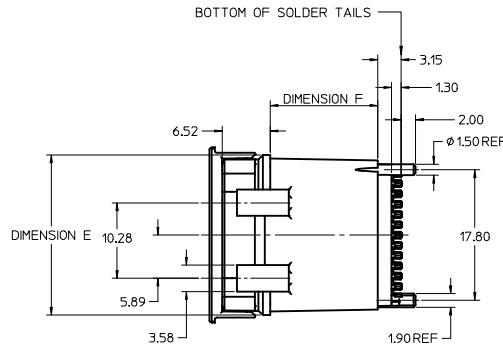
(SOLDER MASK REMOVED TO REVEAL SHIELD TRACE)



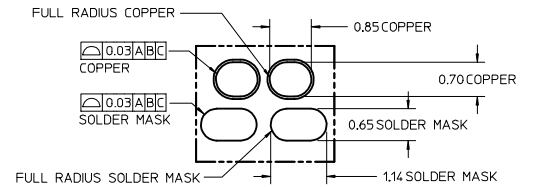
FOOT PRINT
(SCALE 4:1)

FOOT PRINT NOTES:

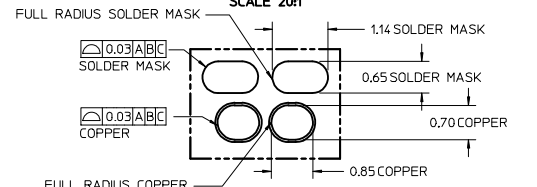
- DATUM -A- IS THE TOP OF THE PCB.
- ALL DIMENSIONS ARE BASICS.
- SEE APPLICATION SPECIFICATION FOR ADDITIONAL INFORMATION.



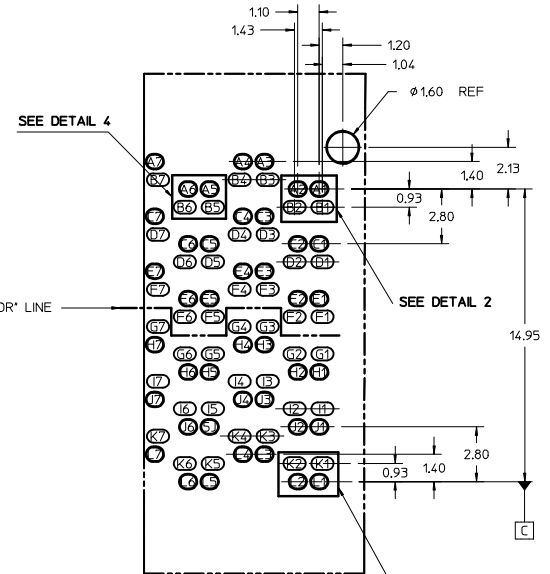
PART ILLUSTRATED IS 170807-2016



DETAIL 2
SCALE 20:1



DETAIL 3
SCALE 20:1

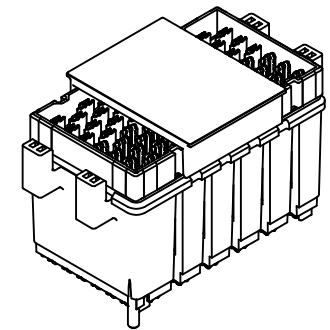


DETAIL 1
SCALE 8:1

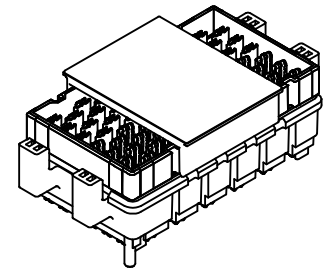
(NUMBERING SCHEME SHOWN)

ADD OPTION EC NO. UCP2017-1355 DRAWN/ISSUED/CHKD/APPR: CHYD/CTCHO/SHONG 2016/12/19/2017/03/16 2016/12/19/2017/03/16 2017/03/16	QUALITY SYMBOLS	GENERAL TOLERANCES (UNLESS SPECIFIED)	DIMENSION STYLE	SCALE	DESIGN UNITS	THIRD ANGLE PROJECTION
	▽=0	mm	MM ONLY	3:1	METRIC	☉
	▽=0	INCH				
	▽=0					
	4 PLACES ±		DRAWN BY	DATE	TITLE	
	3 PLACES ±		HCGOH	2013/12/30	PLUG 6X12 NEOSCALE	
	2 PLACES ±		CHECKED BY	DATE	molex	
	1 PLACE ±		KPELOZA	2013/12/30		
	0 PLACE ±		APPROVED BY	DATE		
			SHONG	2014/01/27		
		ANGULAR ±1/2°	MATERIAL NO.	DOCUMENT NO.	SHEET NO.	
		DRAFT WHERE APPLICABLE MUST REMAIN WITHIN DIMENSIONS	SEE CHART	SD-170807-2016	1 OF 2	
			SIZE D	THIS DRAWING CONTAINS INFORMATION THAT IS PROPRIETARY TO MOLEX INCORPORATED AND SHOULD NOT BE USED WITHOUT WRITTEN PERMISSION		

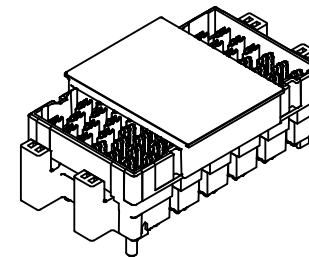
MATERIAL NUMBER	HEIGHT	TRIAD TYPE AND COUNT			DIM E	DIM F	DIM J	MATE WITH
		85 OHMS	100 OHMS	POWER				
1708072016	22.00MM	N/A	72 PLACES	N/A	21.82	14.69	26.11	1708142016 (8MM), 1708142008 (18MM), 1708142025 (15MM)
1708070034	22.00MM	72 PLACES	N/A	N/A	21.82	14.69	26.11	1708140034 (18MM)
1708072008	12.00MM	N/A	72 PLACES	N/A	21.82	4.69	16.11	1708142016 (8MM) & 1708142008 (18MM)
1708072020	8.00MM	N/A	72 PLACES	N/A	20.65	N/A	12.11	1708142016 (8MM) & 1708142008 (18MM)
1708070046	12.00MM	72 PLACES	N/A	N/A	21.82	4.69	16.11	1708140034 (18MM)
1708072027	10.00MM	N/A	72 PLACES	N/A	20.65	N/A	14.11	1708142008 (18MM)
1708072030	15.00MM	N/A	66 PLACES	6 PLACES	20.65	N/A	19.11	1708142016 (8MM)



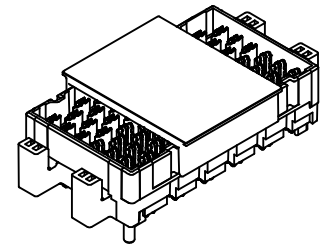
170807-2016/-0034



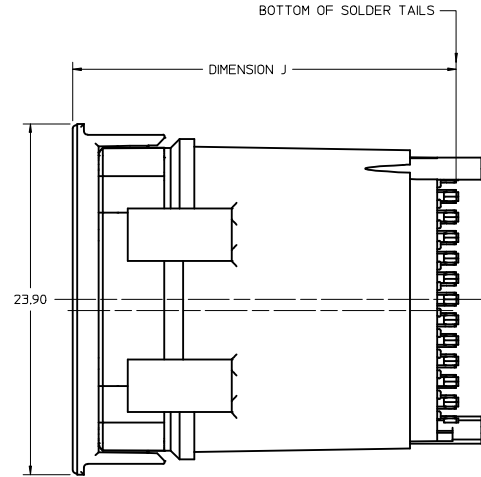
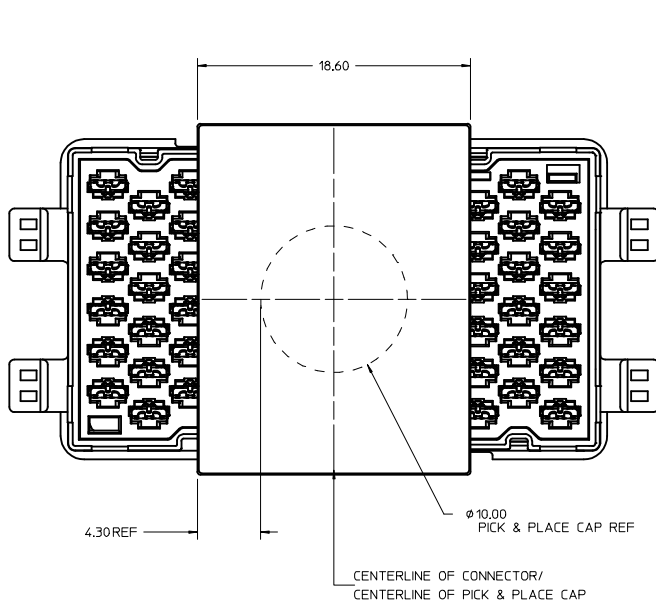
170807-2008/-0046



170807-2027



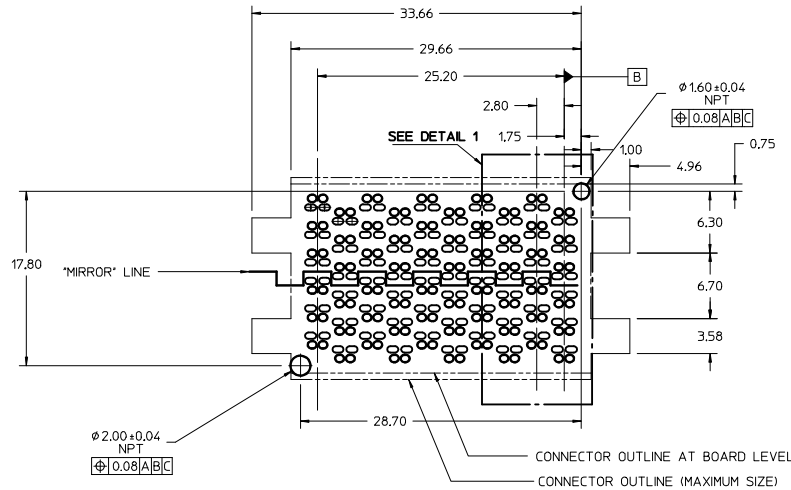
170807-2020



PART ILLUSTRATED IS 170807-2016

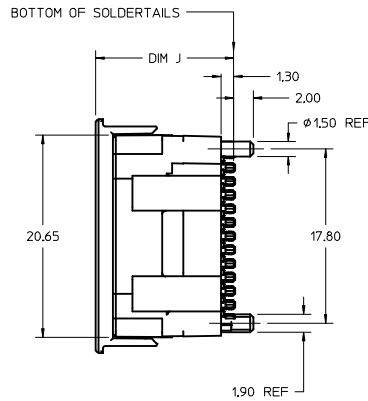
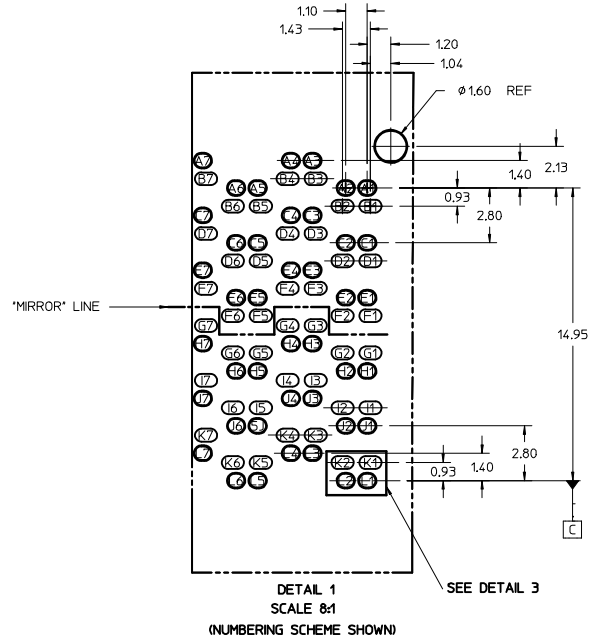
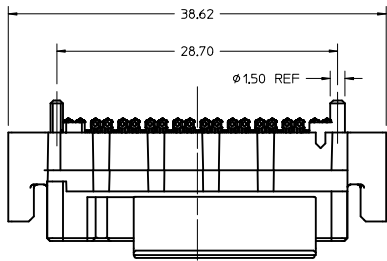
SEE SHEET 1 IEC NO: UCP2017-1355 DRAWN BY: HCGOH CHECKED BY: KPELOZA APPR: SHONG DATE: 2016/12/19 DATE: 2013/12/30 DATE: 2013/12/30 DATE: 2014/01/27	QUALITY SYMBOLS ▽=0 ▽=0 ▽=0	GENERAL TOLERANCES (UNLESS SPECIFIED) <table border="1"> <thead> <tr> <th></th> <th>mm</th> <th>INCH</th> </tr> </thead> <tbody> <tr> <td>4 PLACES</td> <td>±---</td> <td>±---</td> </tr> <tr> <td>3 PLACES</td> <td>±---</td> <td>±---</td> </tr> <tr> <td>2 PLACES</td> <td>±0.15</td> <td>±---</td> </tr> <tr> <td>1 PLACE</td> <td>±---</td> <td>±---</td> </tr> <tr> <td>0 PLACE</td> <td>±---</td> <td>±---</td> </tr> </tbody> </table>		mm	INCH	4 PLACES	±---	±---	3 PLACES	±---	±---	2 PLACES	±0.15	±---	1 PLACE	±---	±---	0 PLACE	±---	±---	DIMENSION STYLE MM ONLY	SCALE 6:1	DESIGN UNITS METRIC	THIRD ANGLE PROJECTION
		mm	INCH																					
	4 PLACES	±---	±---																					
	3 PLACES	±---	±---																					
2 PLACES	±0.15	±---																						
1 PLACE	±---	±---																						
0 PLACE	±---	±---																						
			DRAWN BY: HCGOH CHECKED BY: KPELOZA APPROVED BY: SHONG	DATE: 2013/12/30 DATE: 2013/12/30 DATE: 2014/01/27	PLUG 6X12 NEOSCALE 																			
			MATERIAL NO. SEE SHEET 1	DOCUMENT NO. SD-170807-2016	SHEET NO. 2 OF 2																			
			DRAFT WHERE APPLICABLE MUST REMAIN WITHIN DIMENSIONS				THIS DRAWING CONTAINS INFORMATION THAT IS PROPRIETARY TO MOLEX INCORPORATED AND SHOULD NOT BE USED WITHOUT WRITTEN PERMISSION																	

- NOTES:
- HOUSING MATERIAL: LCP, GLASS FILLED, UL 94V-0, BLACK
CONTACT MATERIAL: HIGH PERFORMANCE COPPER ALLOY
SOLDER CHARGE: LEAD FREE SOLDER ALLOY
 - FINISH:
CONTACTS: SELECTIVE GOLD: 30 MICRONS MIN ON CONTACT AREA,
SELECTIVE TIN : 100 MICRONS MIN ON SOLDERABLE PORTION
OF SOLDER TAILS; OVER 50 MICRONS MIN NICKEL OVERALL.
 - PRODUCT SPECIFICATION: PS-170807-0001
 - PACKAGING SPECIFICATION: PK-170807-002
 - APPLICATION SPECIFICATION: AS-170807-0001

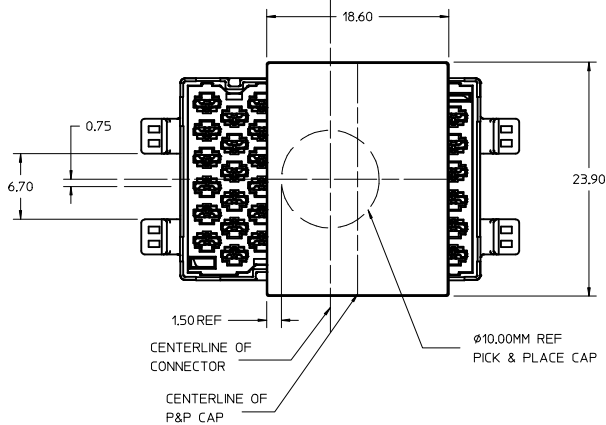


FOOT PRINT
(SCALE 4:1)

- FOOT PRINT NOTES:
- DATUM -A- IS THE TOP OF THE PCB.
 - ALL DIMENSIONS ARE BASICS.
 - SEE APPLICATION SPECIFICATION FOR ADDITIONAL INFORMATION.



PART SHOWN IS 170807-2026



PROPOSAL IEC NO. UICP2016-4775 DRAWN BY JESSIECHUA 2016/06/15 CHECKED BY CHYKHCGOH 2016/06/15 APPR:DMCGOWAN 2016/07/11	QUALITY SYMBOLS $\nabla=0$ $\nabla=0$ $\nabla=0$	GENERAL TOLERANCES (UNLESS SPECIFIED)		DIMENSION STYLE MM ONLY	SCALE 4:1	DESIGN UNITS METRIC	<input checked="" type="checkbox"/> THIRD ANGLE PROJECTION
		4 PLACES ± --- INCH 3 PLACES ± --- INCH 2 PLACES ± 0.15 INCH 1 PLACE ± --- INCH 0 PLACE ± --- INCH	mm INCH	DATE 2016/06/15	DATE 2016/06/15	TITLE PLUG 6X10 NEOSCALE molex	DOCUMENT NO. SD-170807-2026
ANGULAR ±1/2° DRAFT WHERE APPLICABLE MUST REMAIN WITHIN DIMENSIONS	MATERIAL NO. SEE CHART	THIS DRAWING CONTAINS INFORMATION THAT IS PROPRIETARY TO MOLEX INCORPORATED AND SHOULD NOT BE USED WITHOUT WRITTEN PERMISSION					

20 19 18 17 16 15 14 13 12 11 10 9 8 7 6 5 4 3 2 1

MATERIAL NUMBER	HEIGHT	TRIAD TYPE AND COUNT			DIM J	MATE WITH
		85 OHMS	100 OHMS	POWER		
1708072026	10.00MM	N/A	60 PLACES	N/A	14.11	1708142026 (18MM)



M L K J I H G F E D C B A

SEE SHEET 1 IEC NO: UCP2016-4775 DRAWN: JESSIECHUA 2016/06/15 CHECKED BY: CHYKHCCGH 2016/06/15 APPROVED BY: DMCGOWAN 2016/07/11	QUALITY SYMBOLS ▽=0 ▽=0 ▽=0	GENERAL TOLERANCES (UNLESS SPECIFIED)		DIMENSION STYLE MM ONLY	SCALE 6:1	DESIGN UNITS METRIC	THIRD ANGLE PROJECTION
		4 PLACES ± mm ± INCH 3 PLACES ± --- ± --- 2 PLACES ± 0.15 ± --- 1 PLACE ± --- ± --- 0 PLACE ± --- ± ---	DRAWN BY JESSIECHUA	DATE 2016/06/15	TITLE PLUG 6X10 NEOSCALE		
		ANGULAR ±1/2° DRAFT WHERE APPLICABLE MUST REMAIN WITHIN DIMENSIONS	CHECKED BY DMCGOWAN	DATE 2016/06/15	molex		
		MATERIAL NO. SEE SHEET 1	APPROVED BY DMCGOWAN	DATE 2016/07/11	DOCUMENT NO. SD-170807-2026	SHEET NO. 2 OF 2	

19 18 17 16 15 14 13 12 11 10 9 8 7 6 5 4 3 2 1