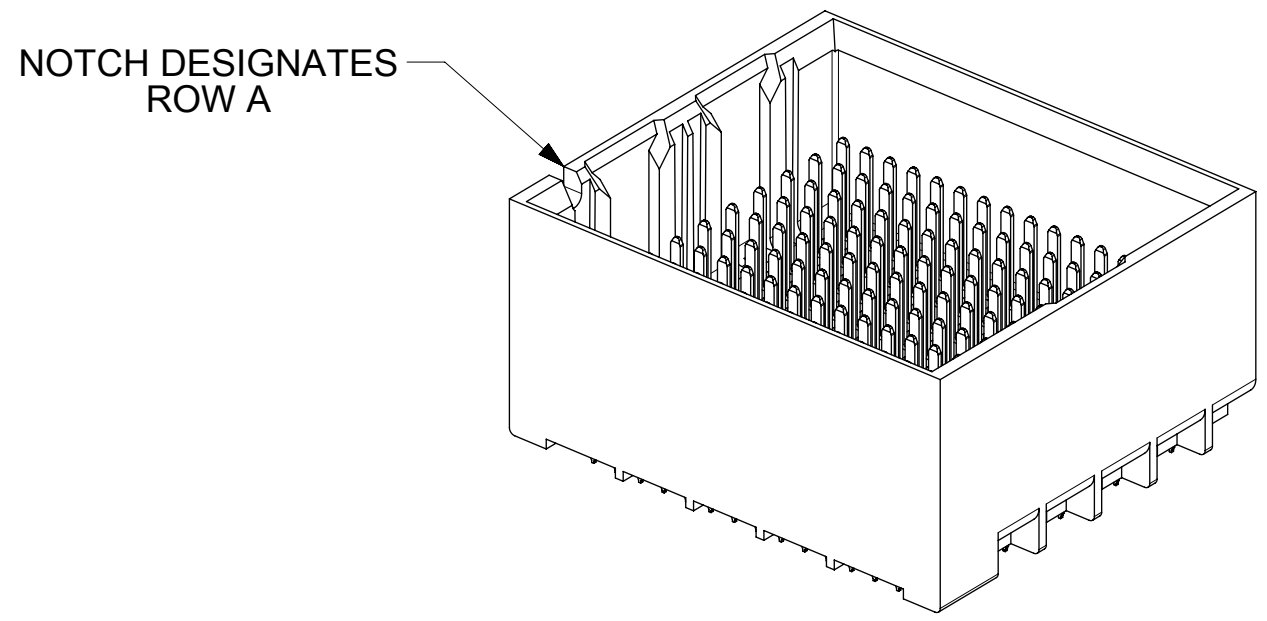


KEEP OUT ZONE
 UNGUIDED BACKPLANE HOLE PATTERN (CONNECTOR SIDE) SEE NOTE 9
 $\varnothing 0.10$
 SEE PART NUMBER CHART AND PART NUMBER LOGIC (15 HOLES PER COLUMN)

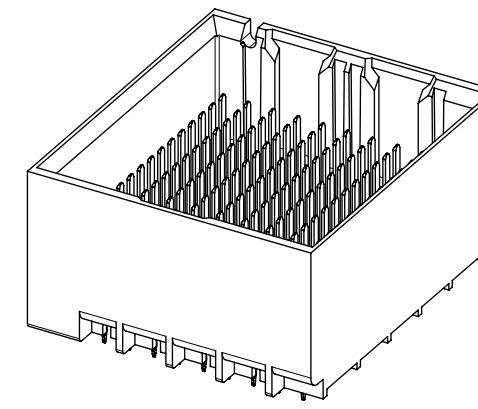


- NOTES:
- MATERIALS: HOUSING - LIQUID CRYSTAL POLYMER (LCP) GLASS-FILLED, UL94V-0
 TERMINALS - HIGH PERFORMANCE COPPER ALLOY
 - FINISH: 10 μINCH MIN GOLD IN CONTACT AREA.
 SELECTIVE MATTE TIN (LEAD-FREE) ON PCB TAILS, NICKEL OVERALL.
 - REFER TO MOLEX PRODUCT SPECIFICATION PS-76060-999 FOR PERFORMANCE SPECIFICATIONS AND ADDITIONAL PCB INFORMATION.
 - THIS PART CONFORMS TO CLASS B REQUIREMENTS OF MOLEX COSMETIC SPEC PS-45499-002.
 - PARTS PACKAGED PER PK-70873-7702.
 - SEE SHEETS 2 & 3 FOR PART NUMBERS AND BOARD RELATIONSHIPS.
 - MATES WITH IMPACT DC SERIES NO. 76060.
 - REFER TO MOLEX PCB ROUTING GUIDE AS-76060-990 FOR ANTIPAD AND ROUTING RECOMMENDATIONS.
 - "THESE DIMENSIONS REPRESENT THE AREA NEEDED TO ACCOMMODATE CONNECTOR INSERTION AND REPAIR ON THE PC BOARD. THIS IS REFERRED TO AS THE "CONNECTOR KEEP OUT ZONE" AND DOES NOT REPRESENT THE ACTUAL PERIMETER OF THE CONNECTOR. WHEN LAYING OUT A PC BOARD FOR CONNECTORS STACKED TOGETHER, USE THE 1.9mm PROGRESSION."

THIS DRAWING CONTAINS INFORMATION THAT IS PROPRIETARY TO MOLEX ELECTRONIC TECHNOLOGIES, LLC AND SHOULD NOT BE USED WITHOUT WRITTEN PERMISSION									
SYMBOLS		DIMENSION UNITS		SCALE		CURRENT REV DESC: MIGRATED TO NX			
▽ = 0		mm		4:1		molex IMPACT 5 PAIR BACKPLANE UNGUIDED ASSEMBLY SALES DRAWING PRODUCT CUSTOMER DRAWING EC NO: 610093 DRWN: SKRISHNAMURT 2018/09/04 CHK'D: HLG0H 2018/10/25 APPR: HLG0H 2019/01/10 INITIAL REVISION: DRWN: JBINGHAM 2011/11/21 APPR: JLAURX 2011/12/02 THIRD ANGLE PROJECTION DRAWING SERIES C-SIZE 171296			
▽ = 0		GENERAL TOLERANCES (UNLESS SPECIFIED)							
▽ = 0		ANGULAR TOL ± 0.5°							
▽ = 0		4 PLACES ±							
▽ = 0		3 PLACES ±							
▽ = 0		2 PLACES ± 0.13							
▽ = 0		1 PLACE ± 0.25							
☒ = 0		0 PLACES ±							
■ = 0		DRAFT WHERE APPLICABLE MUST REMAIN WITHIN DIMENSIONS							
▽ = 0									
DOCUMENT NUMBER		DOC TYPE		DOC PART		REVISION			
SD-171296-0001		PSD		001		B1			
MATERIAL NUMBER		CUSTOMER		SHEET NUMBER					
SEE CHART		GENERAL MARKET		1 OF 3					

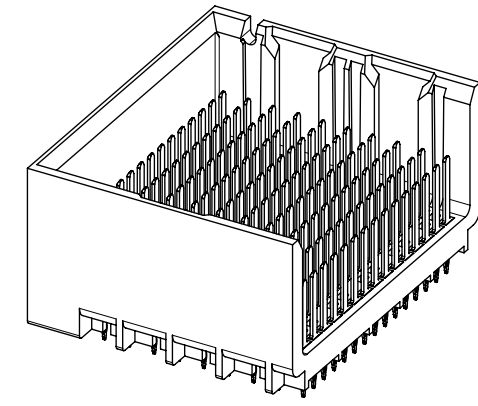
PART NUMBER CHART

MATERIAL NUMBER	# OF COLUMNS	# OF DIFF PAIR	DIM "A"	DIM "B"	DUAL END WALL OPTION
171296-182*	8	40	17.9	13.30	
171296-112*	10	50	21.7	17.10	
171296-122*	12	60	25.5	20.90	
171296-172*	14	70	29.3	24.70	
171296-162*	16	80	33.1	28.50	



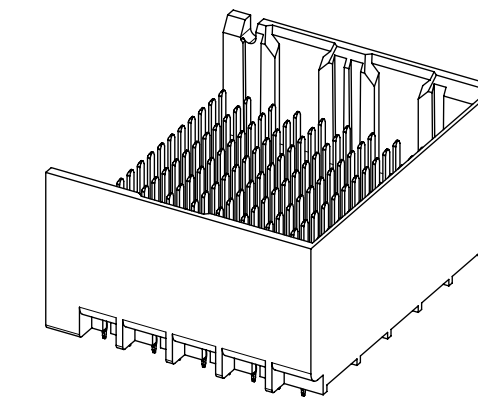
DUAL END
WALL OPTION

MATERIAL NUMBER	# OF COLUMNS	# OF DIFF PAIR	DIM "A"	DIM "B"	LEFT END WALL OPTION
171296-118*	8	40	16.5	13.30	
171296-111*	10	50	20.3	17.10	
171296-121*	12	60	24.1	20.90	
171296-171*	14	70	27.9	24.70	
171296-161*	16	80	31.7	28.50	



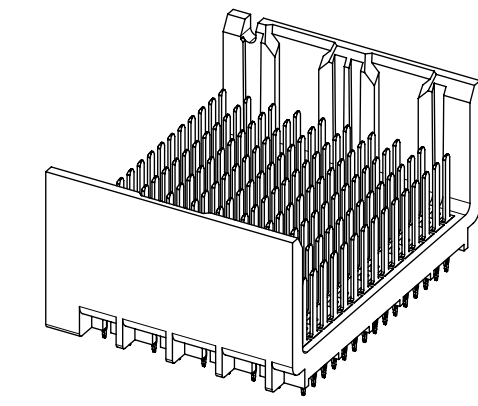
LEFT END
WALL OPTION

MATERIAL NUMBER	# OF COLUMNS	# OF DIFF PAIR	DIM "A"	DIM "B"	RIGHT END WALL OPTION
171296-183*	8	40	16.5	13.30	
171296-113*	10	50	20.3	17.10	
171296-123*	12	60	24.1	20.90	
171296-173*	14	70	27.9	24.70	
171296-163*	16	80	31.7	28.50	



RIGHT END
WALL OPTION

MATERIAL NUMBER	# OF COLUMNS	# OF DIFF PAIR	DIM "A"	DIM "B"	OPEN WALL OPTION
171296-180*	8	40	15.1	13.30	
171296-110*	10	50	18.9	17.10	
171296-120*	12	60	22.7	20.90	
171296-170*	14	70	26.5	24.70	
171296-160*	16	80	30.3	28.50	



OPEN
WALL OPTION

SYMBOLS = 0 = 0 = 0 = 0 = 0 = 0 = 0 = 0 = 0 = 0 = 0	THIS DRAWING CONTAINS INFORMATION THAT IS PROPRIETARY TO MOLEX ELECTRONIC TECHNOLOGIES, LLC AND SHOULD NOT BE USED WITHOUT WRITTEN PERMISSION		CURRENT REV DESC: MIGRATED TO NX		 IMPACT 5 PAIR BACKPLANE UNGUIDED ASSEMBLY SALES DRAWING PRODUCT CUSTOMER DRAWING					
	DIMENSION UNITS	SCALE	EC NO: 610093			DOCUMENT NUMBER	DOC TYPE	DOC PART	REVISION	
	mm	2:1	DRWN: SKRISHNAMURT 2018/09/04			SD-171296-0001	PSD	001	B1	
	GENERAL TOLERANCES (UNLESS SPECIFIED)		CHK'D: HLG0H 2018/10/25		INITIAL REVISION:		MATERIAL NUMBER		CUSTOMER	SHEET NUMBER
	ANGULAR TOL ± 0.5°		APPR: HLG0H 2019/01/10		DRWN: JBINGHAM 2011/11/21		SEE CHART		GENERAL MARKET	2 OF 3
	4 PLACES ±		APPR: JLAURX 2011/12/02		DRAFT WHERE APPLICABLE MUST REMAIN WITHIN DIMENSIONS		THIRD ANGLE PROJECTION		DRAWING	SERIES
	3 PLACES ±		C-SIZE		171296		MATERIAL NUMBER		CUSTOMER	SHEET NUMBER
	2 PLACES ± 0.13		C-SIZE		171296		SEE CHART		GENERAL MARKET	2 OF 3
	1 PLACE ± 0.25		C-SIZE		171296		SEE CHART		GENERAL MARKET	2 OF 3
	0 PLACES ±		C-SIZE		171296		SEE CHART		GENERAL MARKET	2 OF 3

PART NUMBER LOGIC

171296-****

MODULE TYPE
1 = UNGUIDED, MATTE TIN

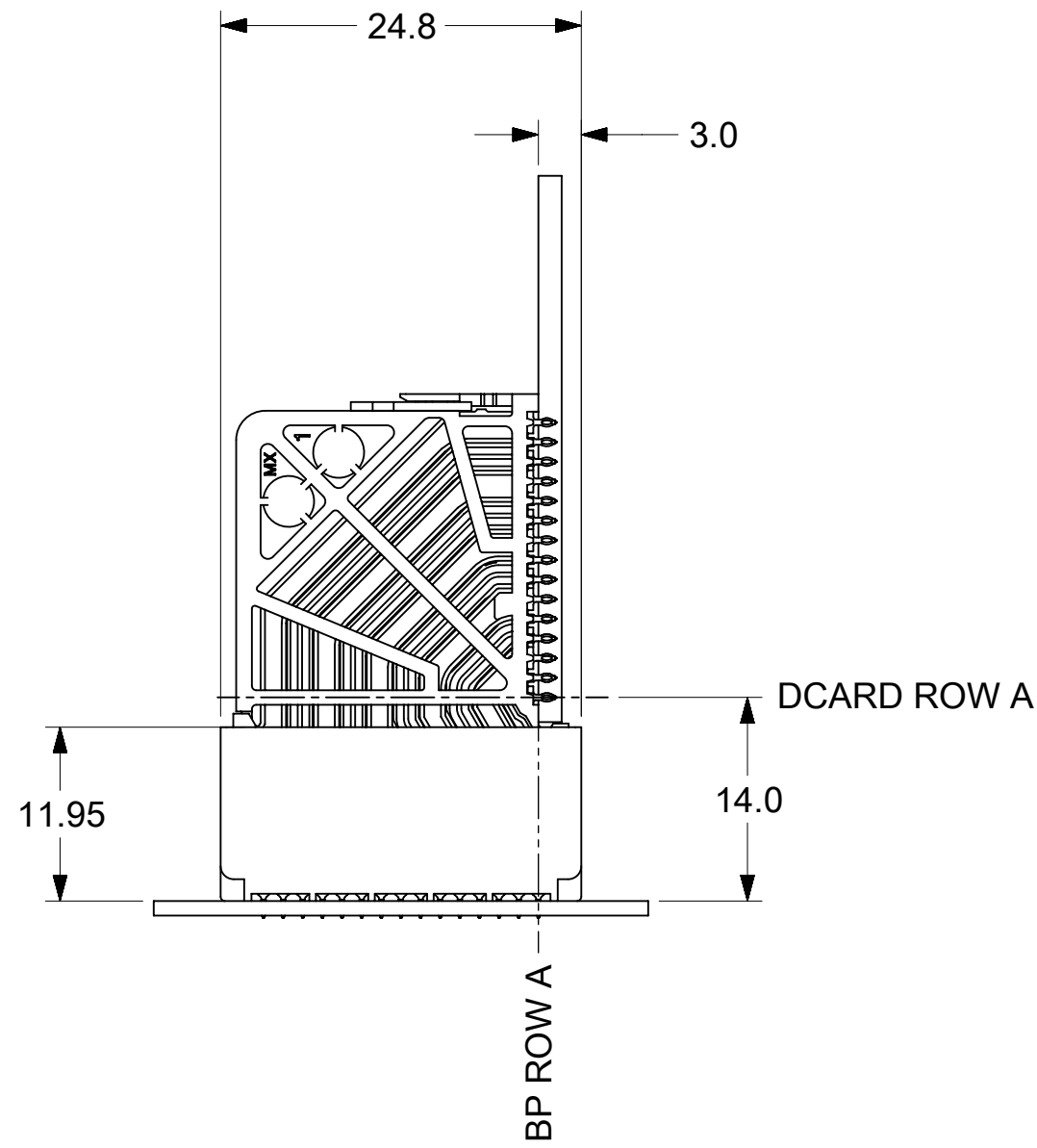
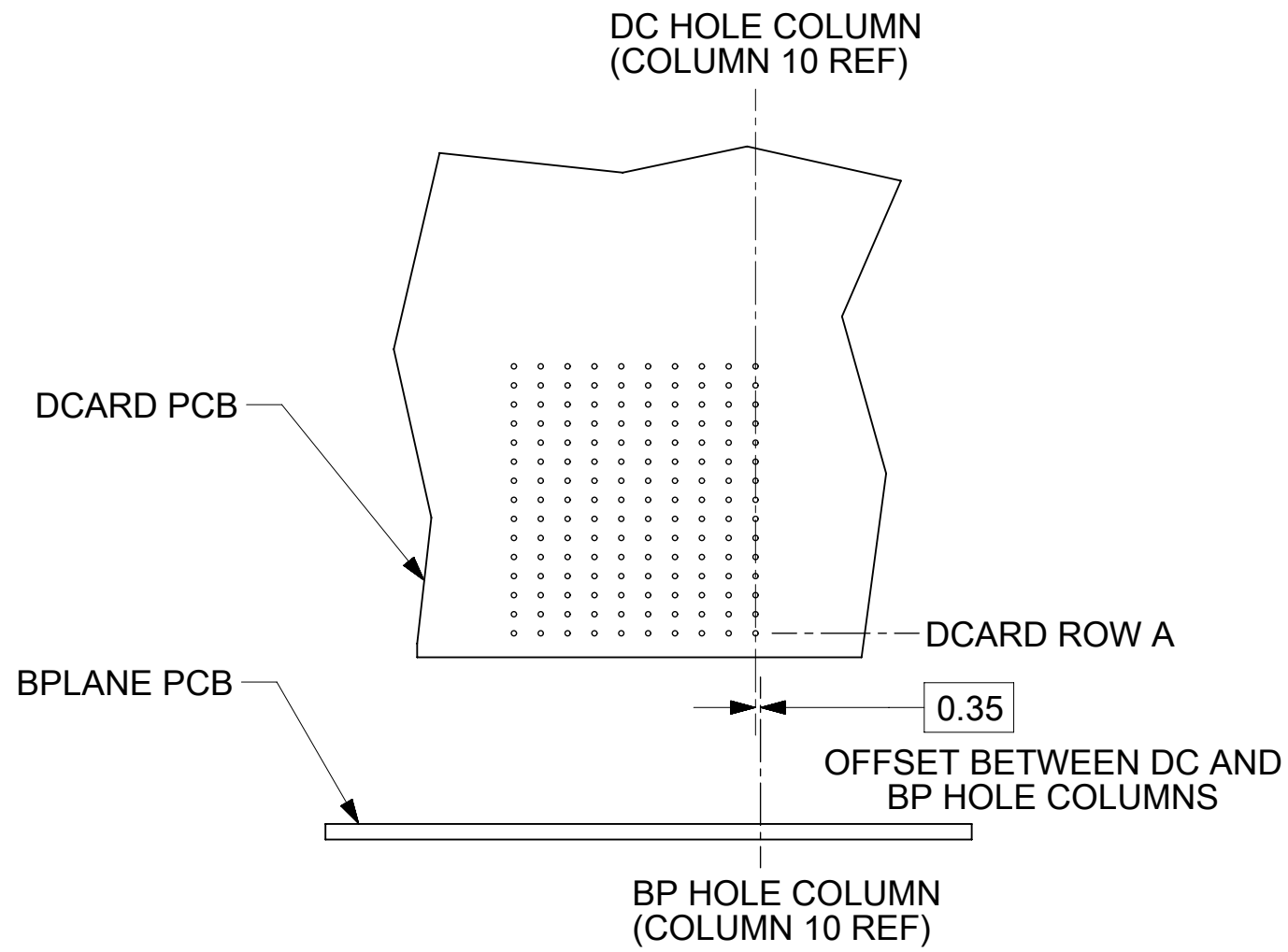
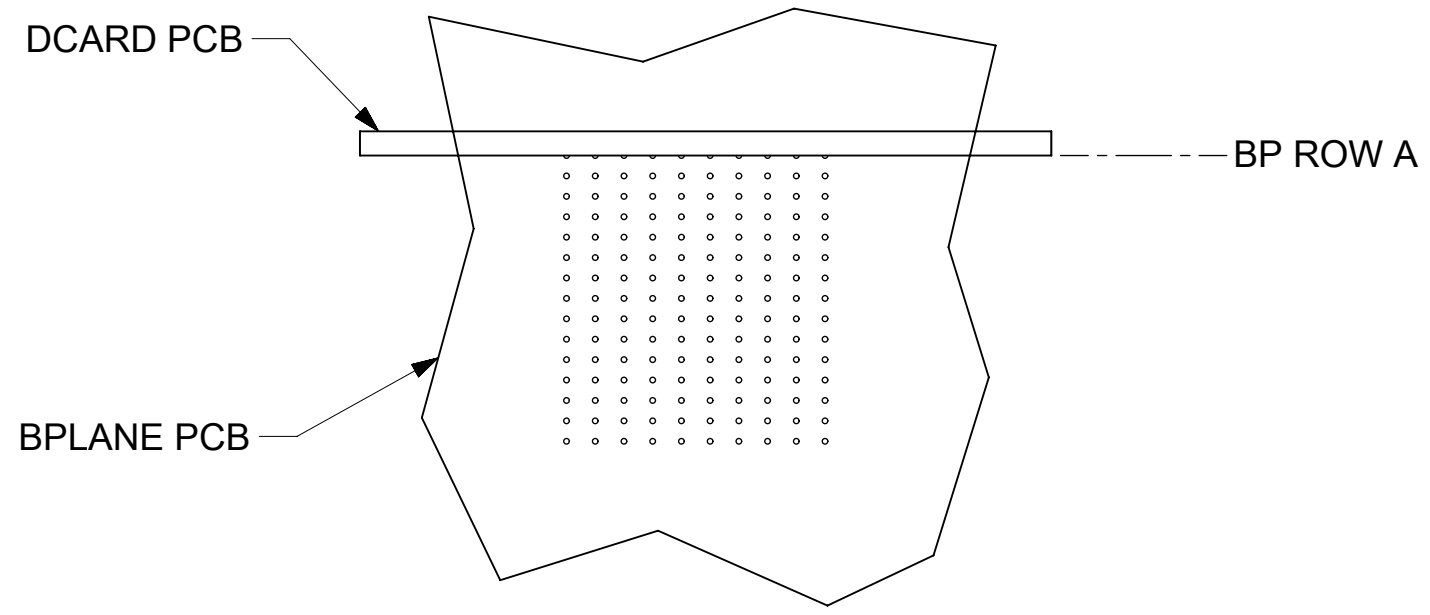
OF COLUMNS
1 = 10 COL
2 = 12 COL
6 = 16 COL
7 = 14 COL
8 = 8 COL

END WALL OPTIONS
0 = OPEN ENDS
1 = LEFT END WALL
2 = DUAL END WALL
3 = RIGHT END WALL

P=PIN LENGTH

3 = 4.50 (SHORT COMPLIANT, 0.46±0.05 PTH)
4 = 4.90 (SHORT COMPLIANT, 0.46±0.05 PTH)
5 = 5.50 (SHORT COMPLIANT, 0.46±0.05 PTH)
6 = 4.50 (MICRO COMPLIANT, 0.39±0.05 PTH)
7 = 4.90 (MICRO COMPLIANT, 0.39±0.05 PTH)
8 = 5.50 (MICRO COMPLIANT, 0.39±0.05 PTH)

IMPACT 5 PAIR BOARD RELATIONSHIPS



THIS DRAWING CONTAINS INFORMATION THAT IS PROPRIETARY TO MOLEX ELECTRONIC TECHNOLOGIES, LLC AND SHOULD NOT BE USED WITHOUT WRITTEN PERMISSION									
SYMBOLS		DIMENSION UNITS		SCALE		CURRENT REV DESC: MIGRATED TO NX			
▽ = 0		mm		2:1		molex IMPACT 5 PAIR BACKPLANE UNGUIDED ASSEMBLY SALES DRAWING PRODUCT CUSTOMER DRAWING DOCUMENT NUMBER: SD-171296-0001 DOC TYPE: PSD DOC PART: 001 REVISION: B1 MATERIAL NUMBER: SEE CHART CUSTOMER: GENERAL MARKET SHEET NUMBER: 3 OF 3			
▽ = 0		GENERAL TOLERANCES (UNLESS SPECIFIED)							
▽ = 0		ANGULAR TOL ± 0.5°							
▽ = 0		4 PLACES ±							
▽ = 0		3 PLACES ±							
▽ = 0		2 PLACES ± 0.13							
▽ = 0		1 PLACE ± 0.25							
☒ = 0		0 PLACES ±				INITIAL REVISION: DRWN: JBINGHAM 2011/11/21 APPR: JLAURX 2011/12/02			
■ = 0		DRAFT WHERE APPLICABLE MUST REMAIN WITHIN DIMENSIONS		THIRD ANGLE PROJECTION		DRAWING		SERIES	
▽ = 0				C-SIZE		171296			