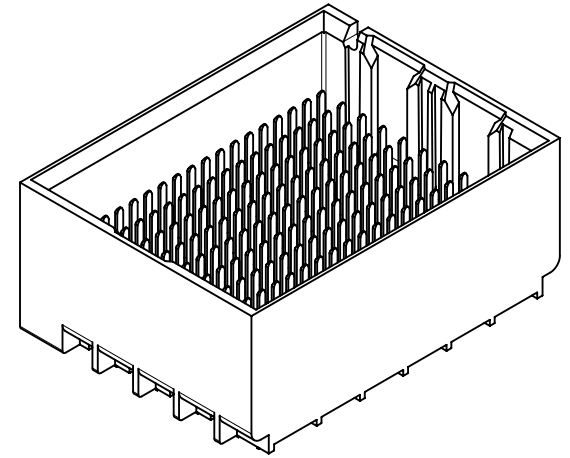


- NOTES:
1. MATERIALS: HOUSING - LIQUID CRYSTAL POLYMER (LCP)
GLASS-FILLED, UL94V-0
TERMINALS - HIGH PERFORMANCE COPPER ALLOY
SELECTIVE MATTE TIN ON PCB TAILS, NICKEL OVERALL.
 2. FINISH: 10 μINCH MIN GOLD IN CONTACT AREA.
 3. REFER TO MOLEX PRODUCT SPECIFICATION PS-76060-999 FOR PERFORMANCE SPECIFICATIONS AND ADDITIONAL PCB INFORMATION.
 4. THIS PART CONFORMS TO CLASS B REQUIREMENTS OF MOLEX COSMETIC SPEC PS-45499-002.
 5. PARTS PACKAGED PER PK-70873-7703.
 6. SEE SHEETS 2 & 3 FOR PART NUMBERS AND BOARD RELATIONSHIPS.
 7. MATES WITH IMPACT DC SERIES NO. 76150.
 8. REFER TO MOLEX PCB ROUTING GUIDE AS-76060-990 FOR ANTIPAD AND ROUTING RECOMMENDATIONS.
 9. "THESE DIMENSIONS REPRESENT THE AREA NEEDED TO ACCOMMODATE CONNECTOR INSERTION AND REPAIR ON THE PC BOARD. THIS IS REFERRED TO AS THE "CONNECTOR KEEP OUT ZONE" AND DOES NOT REPRESENT THE ACTUAL PERIMETER OF THE CONNECTOR. WHEN LAYING OUT A PC BOARD FOR CONNECTORS STACK TOGETHER, USE A 1.9mm PROGRESSION."

THIS DRAWING CONTAINS INFORMATION THAT IS PROPRIETARY TO MOLEX ELECTRONIC TECHNOLOGIES, LLC AND SHOULD NOT BE USED WITHOUT WRITTEN PERMISSION												
MIGRATED TO NX EC NO: 167486 DRWN: NVELUSAMY CHKD: CD REV / APPR: GGA	GENERAL TOLERANCES (UNLESS SPECIFIED)		DIMENSION UNITS	SCALE								
	ANGULAR TOL ± 0.5 °		MM	4:1								
	4 PLACES ±	DRWN BY	DATE		IMPACT 6 PAIR BACKPLANE UNGUIDED ASSEMBLY SALES DRAWING							
	3 PLACES ±	JBINGHAM	2011/11/22									
	2 PLACES ± 0.13	CHKD BY	DATE		PRODUCT CUSTOMER DRAWING							
	1 PLACE ± 0.25	JLAURX	2011/11/22									
	0 PLACES ±	APPR BY	DATE		SERIES: 171298 MATERIAL NUMBER: SEE CHART CUSTOMER: GENERAL MARKET							
	DRAFT WHERE APPLICABLE MUST REMAIN WITHIN DIMENSIONS	JLAURX	2011/12/02									
	DRAWING SIZE		THIRD ANGLE PROJECTION		DOCUMENT NUMBER		DOC TYPE		DOC PART		SHEET NUMBER	
	C				SD-171298-0001		PSD		001		1 OF 3	

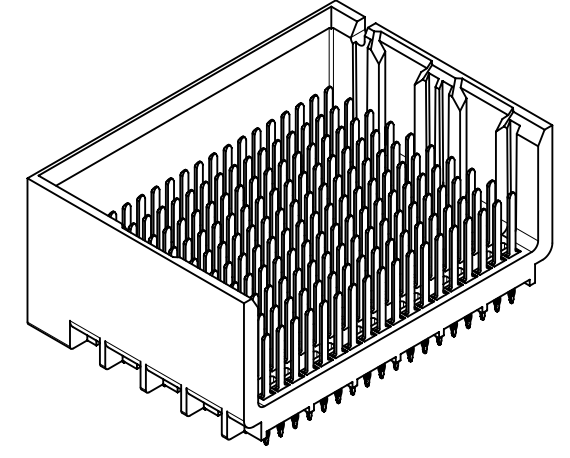
PART NUMBER CHART

MATERIAL NUMBER	# OF COLUMNS	# OF DIFF PAIR	DIM 'A'	DIM 'B'	DUAL END WALL OPTION
171298-112*	10	60	21.7	17.10	
171298-172*	14	84	29.3	24.70	
171298-162*	16	96	33.1	28.50	



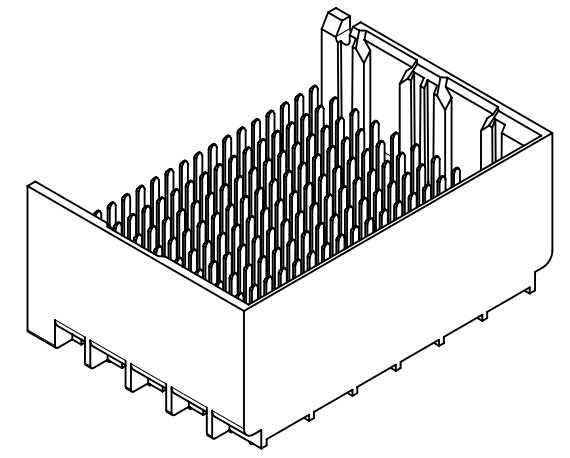
DUAL END
WALL OPTION

MATERIAL NUMBER	# OF COLUMNS	# OF DIFF PAIR	DIM 'A'	DIM 'B'	LEFT END WALL OPTION
171298-111*	10	60	20.3	17.10	
171298-171*	14	84	27.9	24.70	
171298-161*	16	96	31.7	28.50	



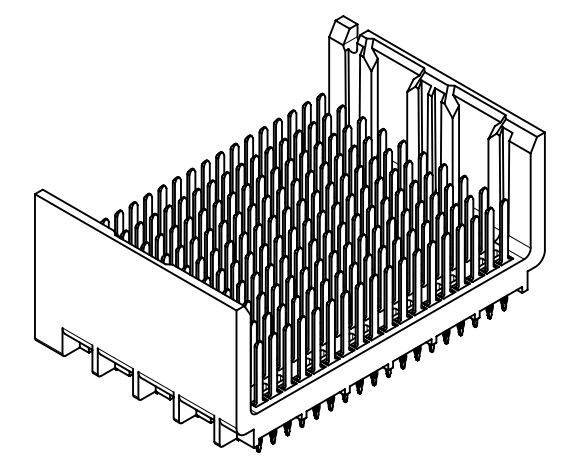
LEFT END
WALL OPTION

MATERIAL NUMBER	# OF COLUMNS	# OF DIFF PAIR	DIM 'A'	DIM 'B'	RIGHT END WALL OPTION
171298-113*	10	60	20.3	17.10	
171298-173*	14	84	27.9	24.70	
171298-163*	16	96	31.7	28.50	



RIGHT END
WALL OPTION

MATERIAL NUMBER	# OF COLUMNS	# OF DIFF PAIR	DIM 'A'	DIM 'B'	OPEN WALL OPTION
171298-110*	10	60	18.9	17.10	
171298-170*	14	84	26.5	24.70	
171298-160*	16	96	30.3	28.50	



OPEN
WALL OPTION

PART NUMBER LOGIC

171298 -*****

MODULE TYPE
1 = UNGUIDED, MATTE TIN

OF COLUMNS
1 = 10 COL
6 = 16 COL
7 = 14 COL

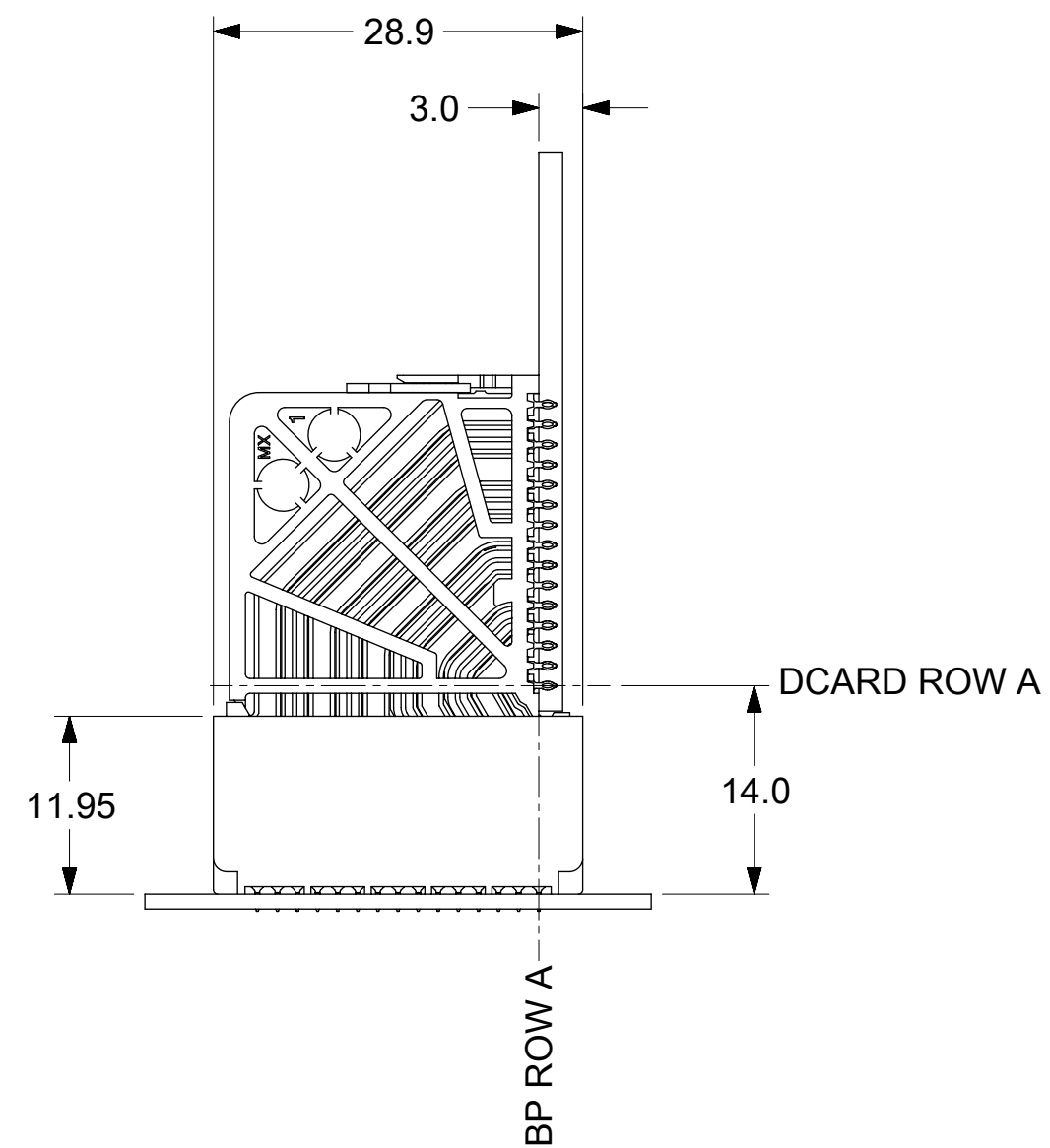
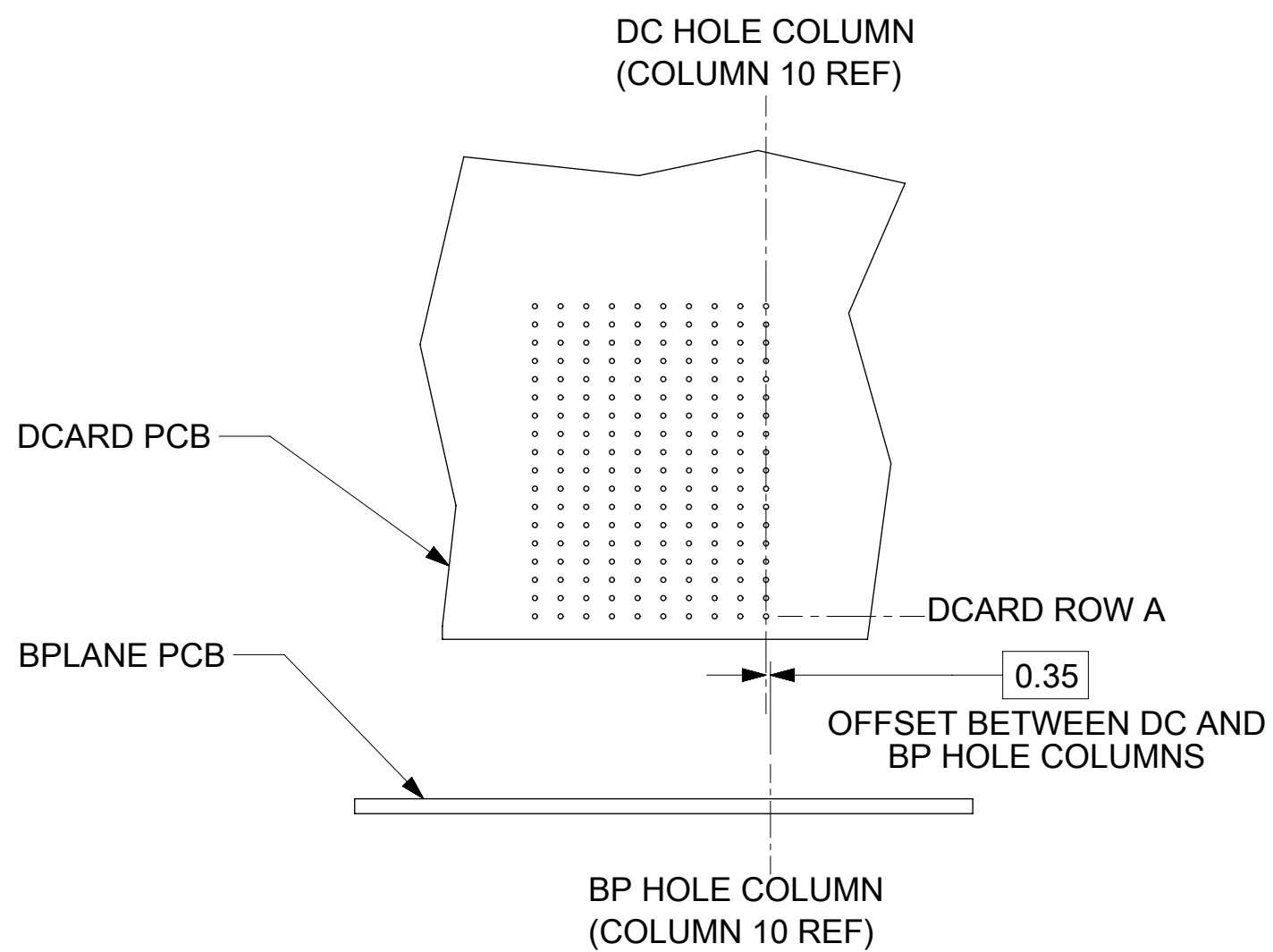
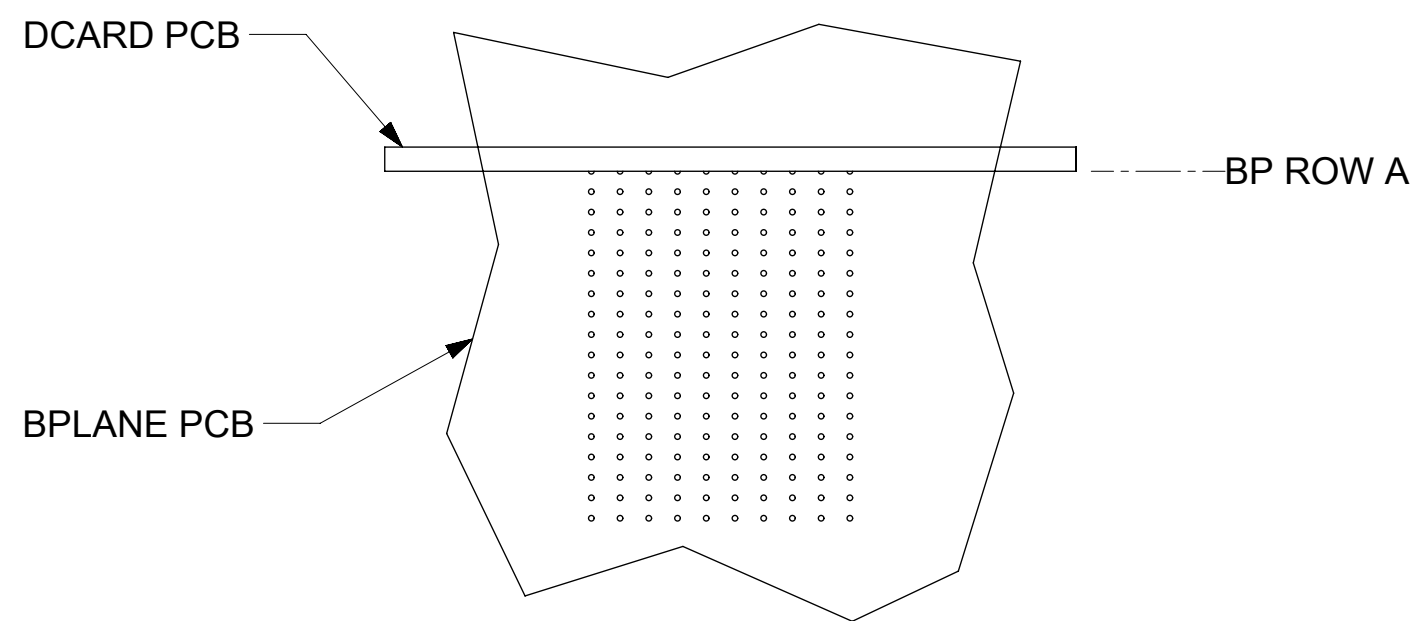
PIN LENGTH (P)
3 = 4.50 (SHORT COMPLIANT, 0.46±0.05 PTH)
4 = 4.90 (SHORT COMPLIANT, 0.46±0.05 PTH)
5 = 5.50 (SHORT COMPLIANT, 0.46±0.05 PTH)
6 = 4.50 (MICRO COMPLIANT, 0.39±0.05 PTH)
7 = 4.90 (MICRO COMPLIANT, 0.39±0.05 PTH)
8 = 5.50 (MICRO COMPLIANT, 0.39±0.05 PTH)

END WALL OPTIONS
0 = OPEN ENDS
1 = LEFT END WALL
2 = DUAL END WALL
3 = RIGHT END WALL

THIS DRAWING CONTAINS INFORMATION THAT IS PROPRIETARY TO MOLEX ELECTRONIC TECHNOLOGIES, LLC AND SHOULD NOT BE USED WITHOUT WRITTEN PERMISSION

MIGRATED TO NX EC NO: 167486 DRWN: NVELUSAMY CHKD: CD REV: APPR: GGA	2017/10/30	2017/10/31	2017/11/02	GENERAL TOLERANCES (UNLESS SPECIFIED)	DIMENSION UNITS: MM	SCALE: 2:1			
	ANGULAR TOL ± 0.5 °			DRWN BY: JBINGHAM	DATE: 2011/11/22	IMPACT 6 PAIR BACKPLANE UNGUIDED ASSEMBLY SALES DRAWING			
	4 PLACES ±	3 PLACES ±	2 PLACES ± 0.13	CHKD BY: JLAURX	DATE: 2011/11/22				
	1 PLACE ± 0.25	0 PLACES ±	APPR BY: JLAURX		DATE: 2011/12/02				
DRAFT WHERE APPLICABLE MUST REMAIN WITHIN DIMENSIONS				DRAWING SIZE: C	THIRD ANGLE PROJECTION	SERIES: 171298	MATERIAL NUMBER: SEE CHART	CUSTOMER: GENERAL MARKET	
RELEASE STATUS: P1		RELEASE DATE: 02.11.2017	08:14:45			DOCUMENT NUMBER: SD-171298-0001	DOC TYPE: PSD	DOC PART: 001	SHEET NUMBER: 2 OF 3

IMPACT 6 PAIR
BOARD RELATIONSHIPS



THIS DRAWING CONTAINS INFORMATION THAT IS PROPRIETARY TO MOLEX ELECTRONIC TECHNOLOGIES, LLC AND SHOULD NOT BE USED WITHOUT WRITTEN PERMISSION

MIGRATED TO NX EC NO: 167466 DRWN: NVELUSAMY CHKD: CD REV / APPR: GGA	2017/10/30	2017/10/31	2017/11/02	GENERAL TOLERANCES (UNLESS SPECIFIED)	DIMENSION UNITS	SCALE		
					MM	2:1		
	4 PLACES	±	DRWN BY		DATE	JBINGHAM		2011/11/22
	3 PLACES	±	CHKD BY		DATE	JLAURX		2011/11/22
	2 PLACES	± 0.13	APPR BY		DATE	JLAURX		2011/12/02
1 PLACE	± 0.25	DRAWING SIZE	THIRD ANGLE PROJECTION	C	171298	SEE CHART	GENERAL MARKET	
0 PLACES	±	DRAFT WHERE APPLICABLE MUST REMAIN WITHIN DIMENSIONS			DOCUMENT NUMBER	DOC TYPE	DOC PART	SHEET NUMBER
A2					SD-171298-0001	PSD	001	3 OF 3

IMPACT 6 PAIR BACKPLANE
UNGUIDED ASSEMBLY SALES DRAWING

PRODUCT CUSTOMER DRAWING