

- NOTES:
1. MATERIALS: HOUSING - LIQUID CRYSTAL POLYMER (LCP)
GLASS-FILLED, UL94V-0
TERMINALS - HIGH PERFORMANCE COPPER ALLOY
 2. FINISH: 10 μINCH MIN GOLD IN CONTACT AREA.
SELECTIVE MATTE TIN ON PCB TAILS, NICKEL OVERALL.
 3. REFER TO MOLEX PRODUCT SPECIFICATION PS-76060-999
FOR PERFORMANCE SPECIFICATIONS AND ADDITIONAL PCB INFORMATION.
 4. THIS PART CONFORMS TO CLASS B REQUIREMENTS OF
MOLEX COSMETIC SPEC PS-45499-002.
 5. PARTS PACKAGED PER PK-70873-760
 6. SEE SHEETS 2 & 3 FOR PART NUMBERS AND BOARD RELATIONSHIPS.
 7. FOR GROUNDED GUIDE PINS USE DIA. 3.56 +/-0.08 (PTH)
DIA. 3.66 (DRILL) AND DIA 6.5 (PAD).
 8. MATES WITH IMPACT DC SERIES NO. 76150.
 9. KEEP OUT ZONE FOR BP HOUSING LENGTH INCLUDES AN ADDITIONAL 1.0MM
TO ACCOMMODATE FOR SPACE REQUIRED BY DC FRONT HOUSING.
 10. REFER TO MOLEX PCB ROUTING GUIDE AS-76060-990 FOR ANTIPAD AND ROUTING RECOMMENDATIONS.
 11. CONNECTORS SUPPLIED WITH A 2-56 UNC-2A SCREW.
 12. "THESE DIMENSIONS REPRESENT THE AREA NEEDED TO ACCOMMODATE CONNECTOR INSERTION AND
REPAIR ON THE PC BOARD. THIS IS REFERRED TO AS THE "CONNECTOR KEEP OUT ZONE" AND
DOES NOT REPRESENT THE ACTUAL PERIMETER OF THE CONNECTOR. WHEN LAYING OUT A PC BOARD
FOR CONNECTORS STACKED TOGETHER, USE A 1.9mm PROGRESSION."

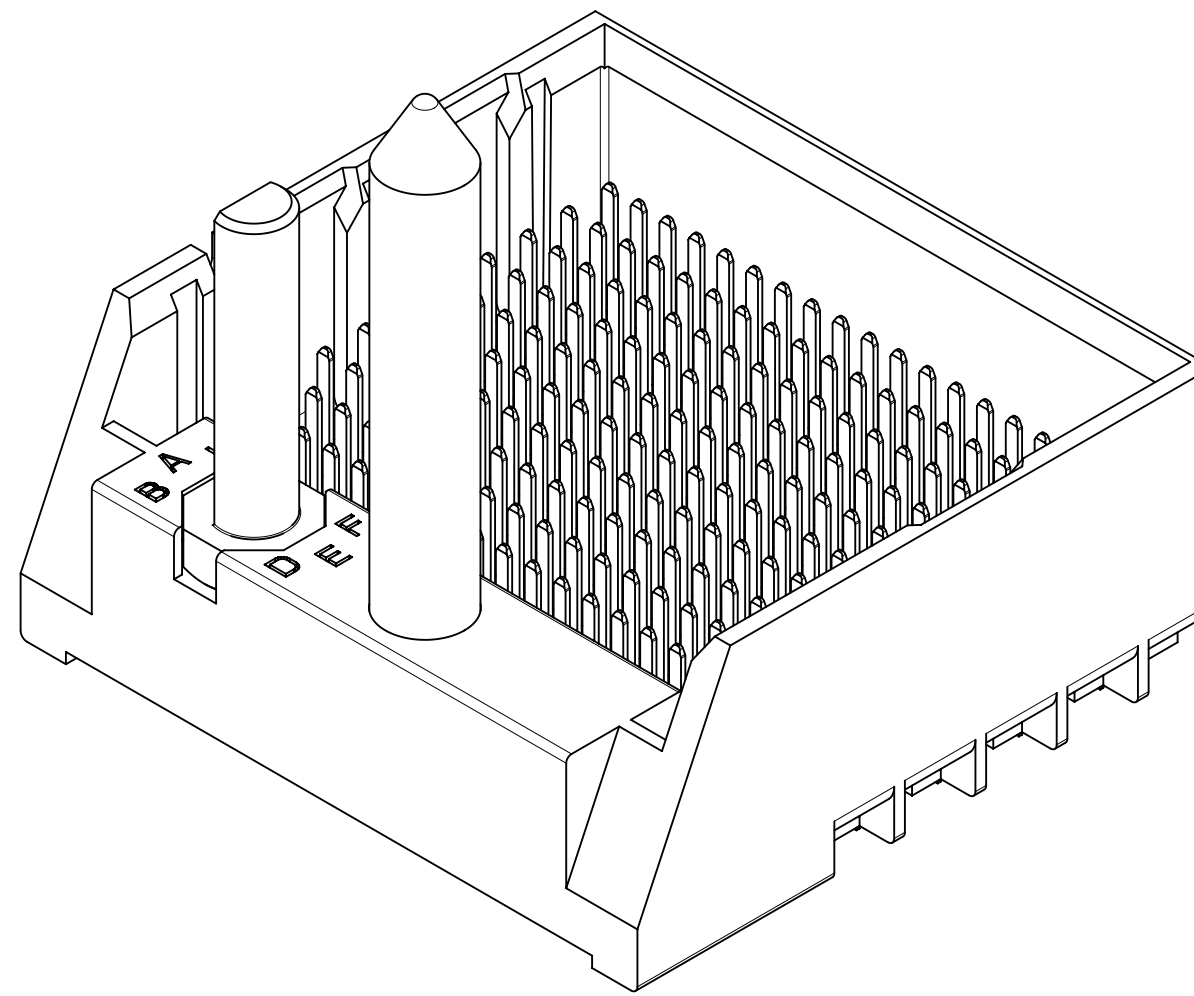
THIS DRAWING CONTAINS INFORMATION THAT IS PROPRIETARY TO MOLEX ELECTRONIC TECHNOLOGIES, LLC AND SHOULD NOT BE USED WITHOUT WRITTEN PERMISSION

MIGRATED TO NX EC NO: 167466 DRWN: NVELUSAMY CHKD: CD REV APPR: GGA	2017/10/30	GENERAL TOLERANCES (UNLESS SPECIFIED)	DIMENSION UNITS	SCALE	
	2017/10/31	ANGULAR TOL ± 0.5 °	MM	4:1	
	2017/11/02	4 PLACES ±	DRWN BY	DATE	
		3 PLACES ±	JBINGHAM	2011/11/23	
	2 PLACES ± 0.13	CHKD BY	DATE		
	1 PLACE ± 0.25	JLAURX	2011/11/23		
	0 PLACES ±	APPR BY	DATE		
		JLAURX	2011/12/02		
	DRAFT WHERE APPLICABLE MUST REMAIN WITHIN DIMENSIONS	DRAWING SIZE	THIRD ANGLE PROJECTION		
		D			

SERIES	MATERIAL NUMBER	CUSTOMER
171298	SEE CHART	GENERAL MARKET
DOCUMENT NUMBER	DOC TYPE	DOC PART
SD-171298-0002	PSD	001
SHEET NUMBER		1 OF 3

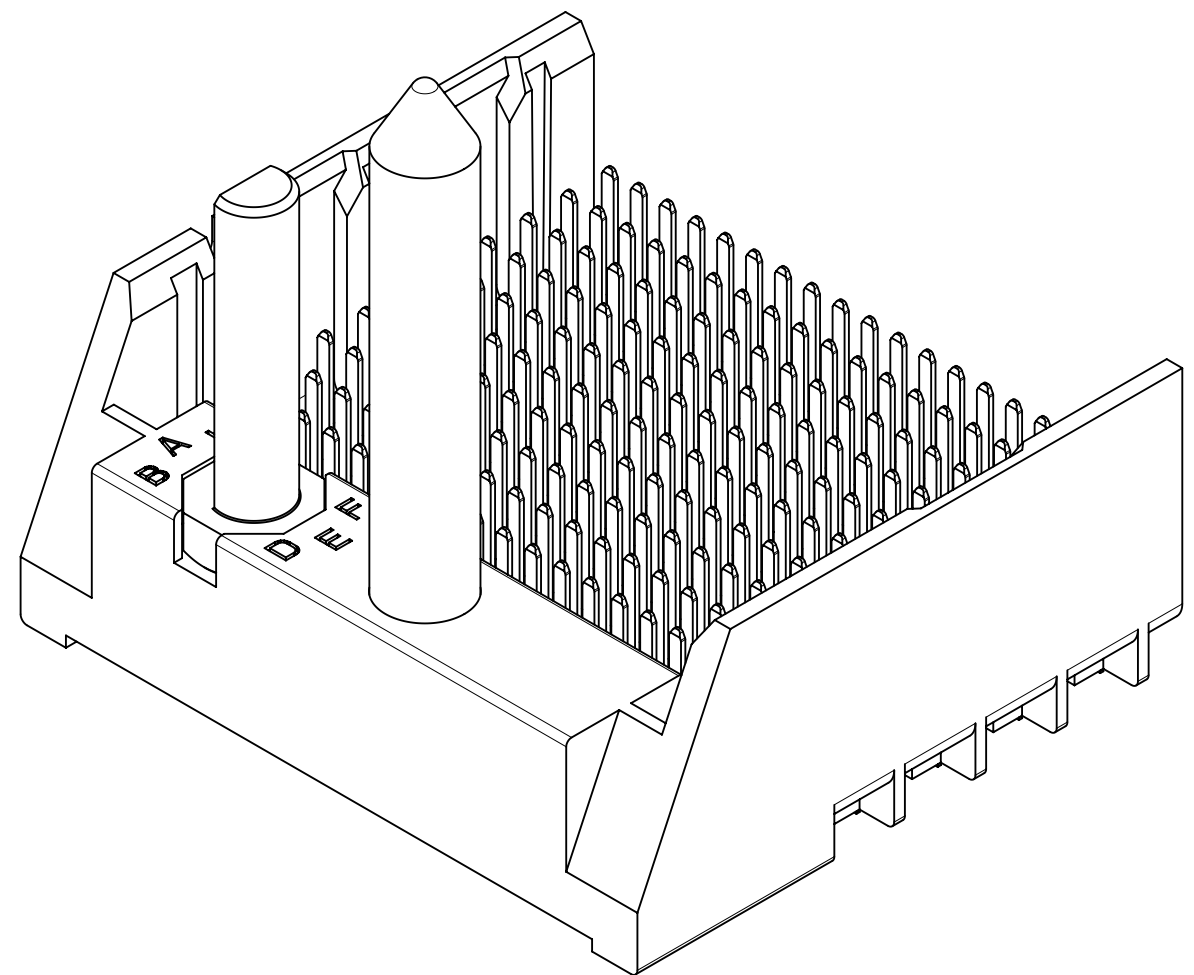
PART NUMBER TABLE

MATERIAL NUMBER	# OF COLUMNS	# OF DIFF PAIR	DIM 'A'	DIM 'B'	GUIDE LEFT END WALL OPTION
171298-71**	10	60	26.9	17.10	
171298-77**	14	84	34.5	24.70	
171298-76**	16	96	38.3	28.50	



**GUIDE LEFT
END WALL
OPTION**

MATERIAL NUMBER	# OF COLUMNS	# OF DIFF PAIR	DIM 'A'	DIM 'B'	GUIDE LEFT OPEN WALL OPTION
171298-31**	10	60	25.5	17.10	
171298-37**	14	84	33.1	24.70	
171298-36**	16	96	36.9	28.50	



**GUIDE LEFT
OPEN WALL
OPTION**

PART NUMBER LOGIC

171298 - ****

MODULE TYPE

- 3 = GUIDE LEFT, MATTE TIN
- 7 = GUIDE LEFT END WALL, MATTE TIN

OF COLUMNS

- 1 = 10 COL
- 6 = 16 COL
- 7 = 14 COL

PIN LENGTH (P)

- 3 = 4.50 (SHORT COMPLIANT, 0.46±0.05 PTH)
- 4 = 4.90 (SHORT COMPLIANT, 0.46±0.05 PTH)
- 5 = 5.50 (SHORT COMPLIANT, 0.46±0.05 PTH)
- 6 = 4.50 (MICRO COMPLIANT, 0.39±0.05 PTH)
- 7 = 4.90 (MICRO COMPLIANT, 0.39±0.05 PTH)
- 8 = 5.50 (MICRO COMPLIANT, 0.39±0.05 PTH)

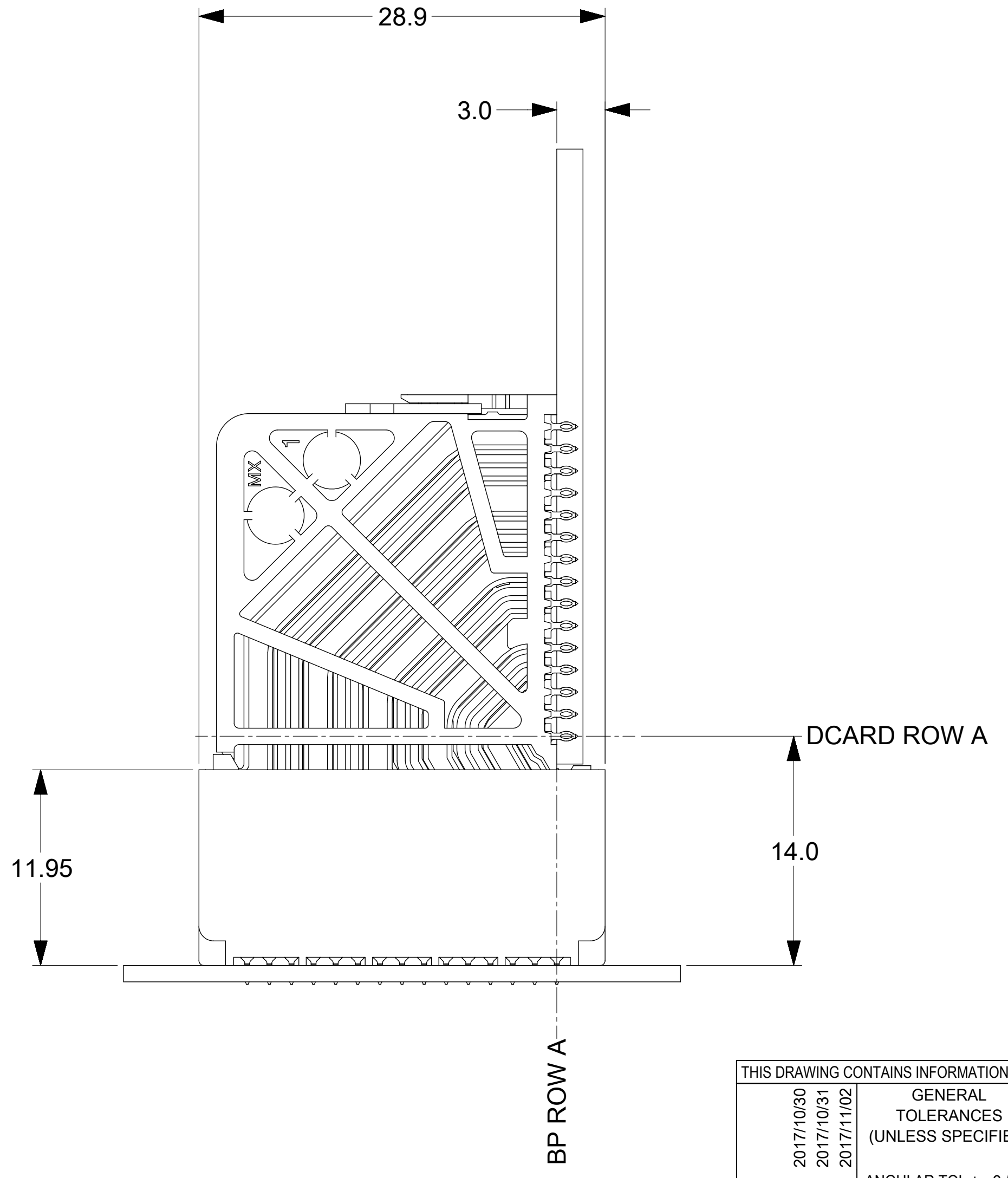
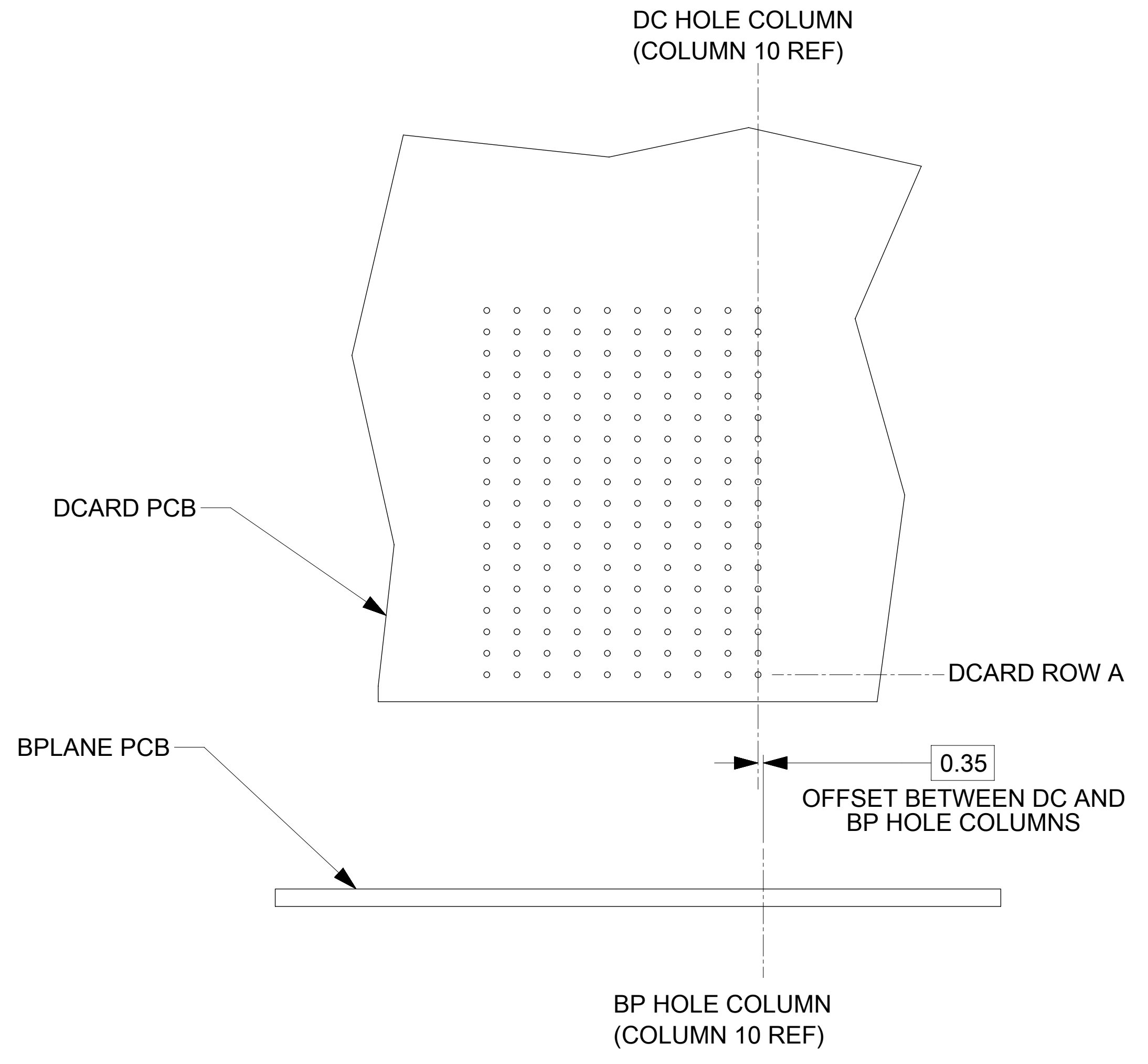
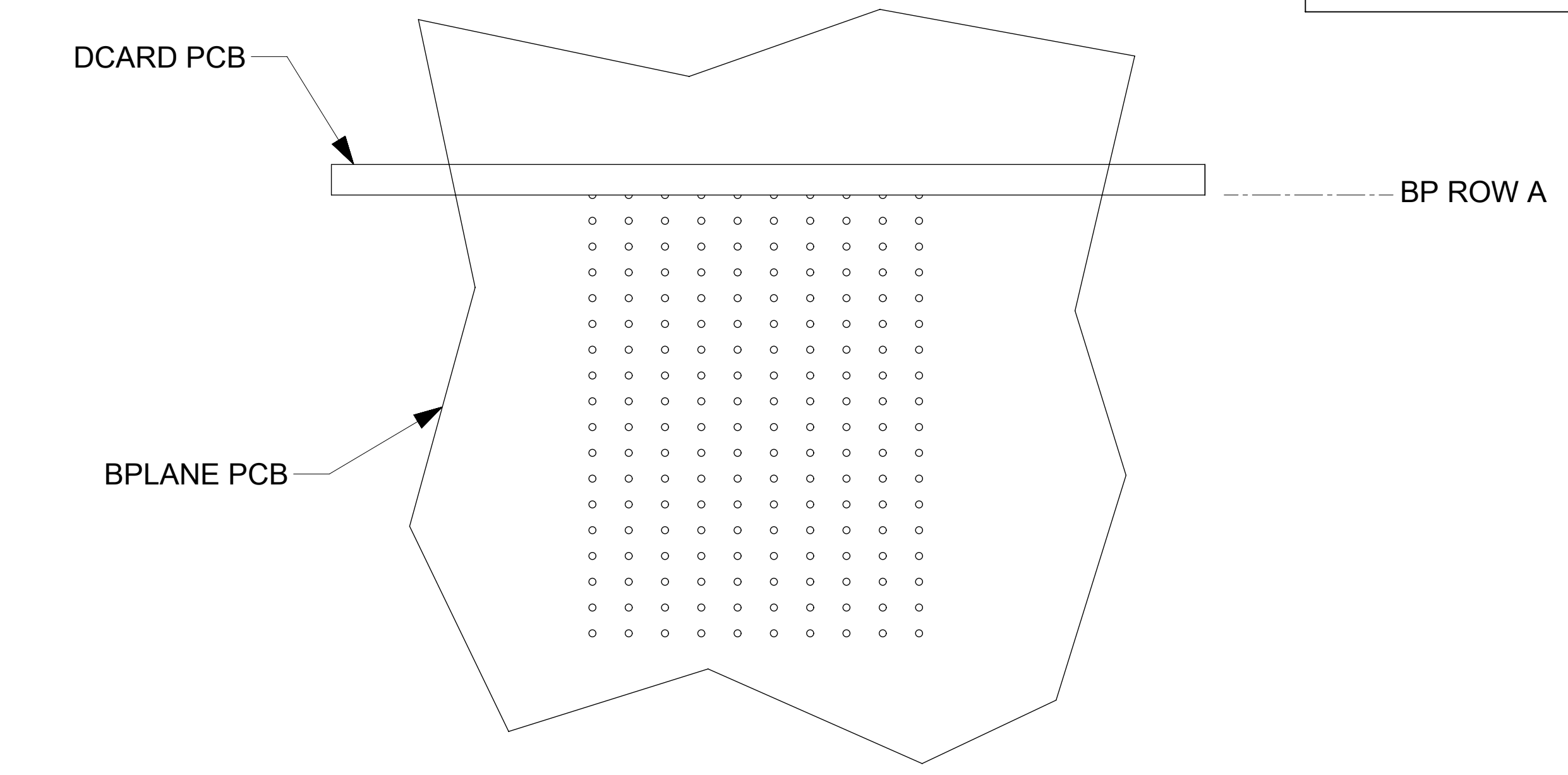
KEY ORIENTATION

- 0 = NO KEY
- 1 = A
- 2 = B
- 3 = C
- 4 = D
- 5 = E
- 6 = F
- 7 = G
- 8 = H

THIS DRAWING CONTAINS INFORMATION THAT IS PROPRIETARY TO MOLEX ELECTRONIC TECHNOLOGIES, LLC AND SHOULD NOT BE USED WITHOUT WRITTEN PERMISSION

MIGRATED TO NX	2017/10/30	GENERAL TOLERANCES (UNLESS SPECIFIED)	DIMENSION UNITS	SCALE	molex IMPACT 6 PAIR BACKPLANE LEFT GUIDED ASSEMBLY SALES DRAWING PRODUCT CUSTOMER DRAWING
	2017/10/31	ANGULAR TOL ± 0.5 °	MM	4:1	
	2017/11/02	4 PLACES ±	DRWN BY	DATE	
		3 PLACES ±	JBINGHAM	2011/11/23	
		2 PLACES ± 0.13	CHKD BY	DATE	
	1 PLACE ± 0.25	JLAURX	2011/11/23		
	0 PLACES ±	APPR BY	DATE		
	DRAFT WHERE APPLICABLE MUST REMAIN WITHIN DIMENSIONS	JLAURX	2011/12/02		
		DRAWING SIZE	THIRD ANGLE PROJECTION		
		D			
EC NO: 167466	DRWN: NVELUSAMY	CHKD: CD	REV: APPR: GGA		SERIES
					MATERIAL NUMBER
					CUSTOMER
					171298
					SEE CHART
					GENERAL MARKET
RELEASE STATUS	P1	RELEASE DATE	02.11.2017	08:14:46	DOCUMENT NUMBER
					SD-171298-0002
					DOC TYPE
					PSD
					DOC PART
					001
					SHEET NUMBER
					2 OF 3

IMPACT 6 PAIR
BOARD RELATIONSHIPS



THIS DRAWING CONTAINS INFORMATION THAT IS PROPRIETARY TO MOLEX ELECTRONIC TECHNOLOGIES, LLC AND SHOULD NOT BE USED WITHOUT WRITTEN PERMISSION

MIGRATED TO NX	EC NO: 167466	2017/10/30	GENERAL TOLERANCES (UNLESS SPECIFIED)		DIMENSION UNITS	SCALE	molex IMPACT 6 PAIR BACKPLANE LEFT GUIDED ASSEMBLY SALES DRAWING PRODUCT CUSTOMER DRAWING			
	DRWN: NVELUSAMY	2017/10/31	ANGULAR TOL ± 0.5 °		MM	4:1				
	CHKD: CD	2017/11/02	4 PLACES ±	DRWN BY	DATE	JBINGHAM		2011/11/23		
	REV/ APPR: GGA		3 PLACES ±	CHKD BY	DATE	JLAURX		2011/11/23		
			2 PLACES ± 0.13	APPR BY	DATE	JLAURX		2011/12/02		
			1 PLACE ± 0.25	DRAWING SIZE	THIRD ANGLE PROJECTION	D				
		0 PLACES ±	DRAFT WHERE APPLICABLE MUST REMAIN WITHIN DIMENSIONS				SERIES	MATERIAL NUMBER	CUSTOMER	
							171298	SEE CHART	GENERAL MARKET	
							DOCUMENT NUMBER	DOC TYPE	DOC PART	SHEET NUMBER
							SD-171298-0002	PSD	001	3 OF 3