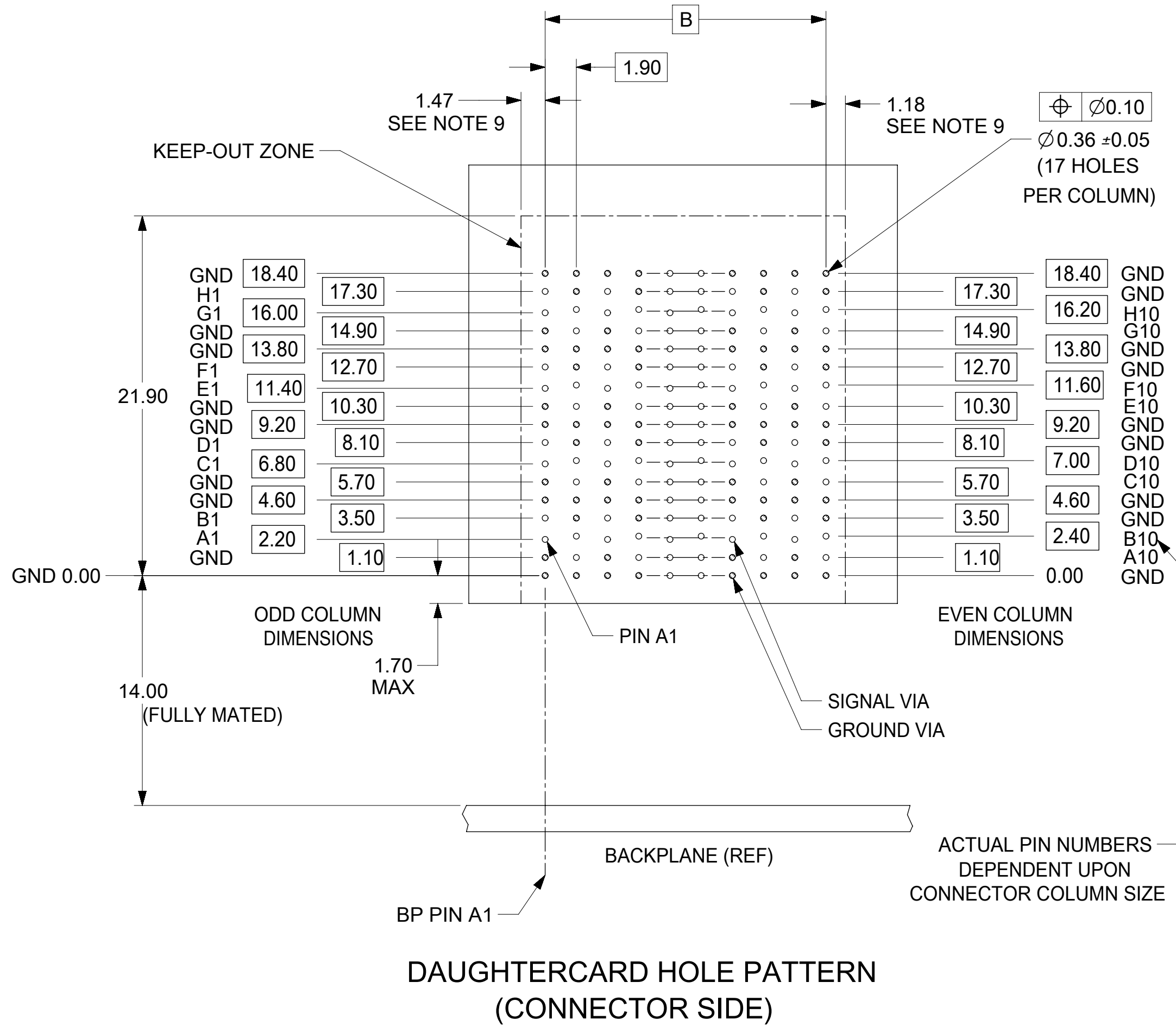
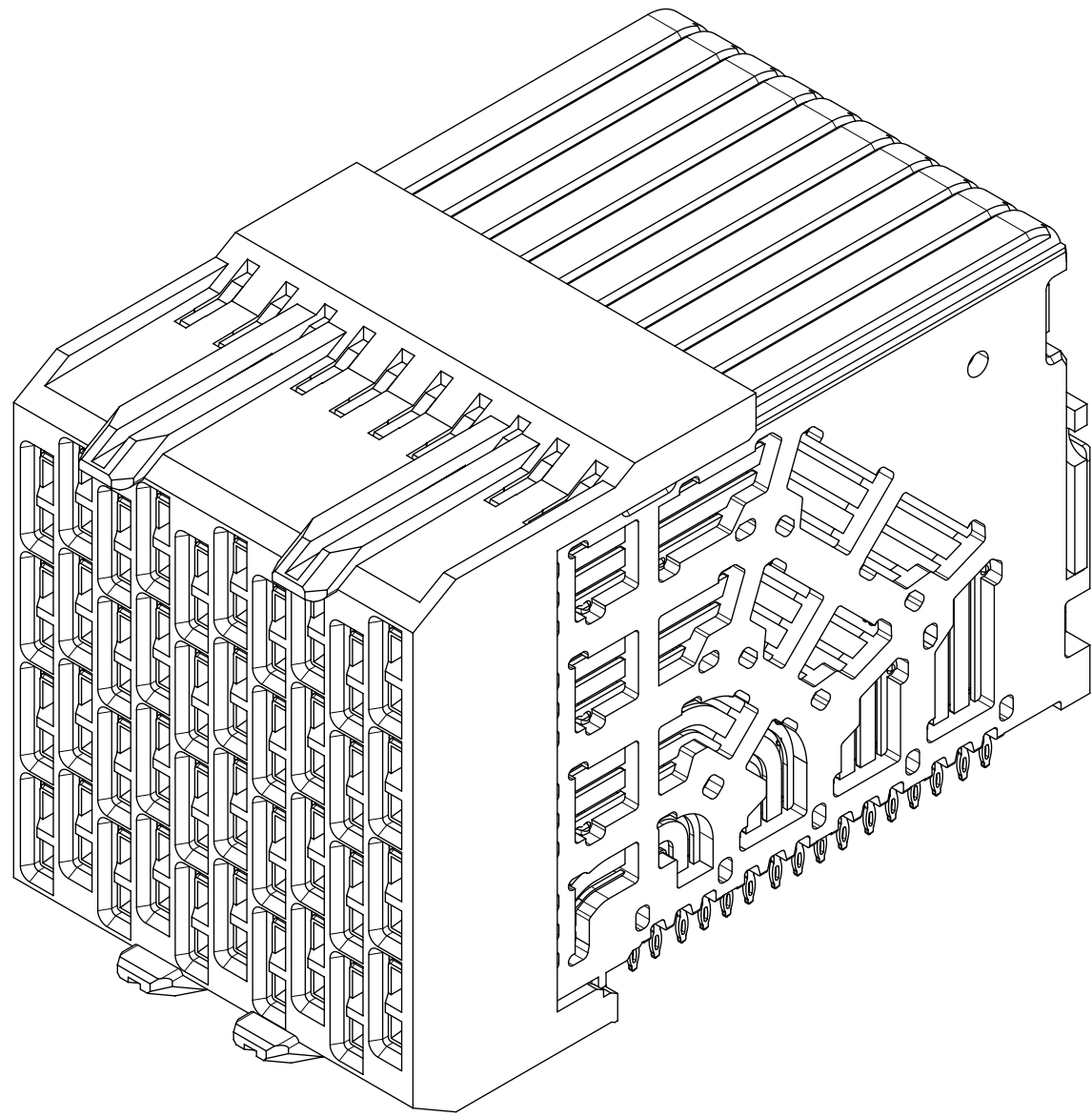


- NOTES:
1. MATERIALS: HOUSING - LIQUID CRYSTAL POLYMER (LCP)
GLASS-FILLED, UL94V-0
TERMINALS - HIGH PERFORMANCE COPPER ALLOY
 2. FINISH: 30uIN GOLD IN CONTACT AREA.
SELECTIVE TIN ON PCB TAILS.
NICKEL OVERALL.
 3. REFER TO MOLEX PRODUCT SPECIFICATION PS-171320-999 FOR PERFORMANCE SPECIFICATIONS.
 4. THIS PART CONFORMS TO CLASS B REQUIREMENTS OF MOLEX COSMETIC SPEC PS-45499-002.
 5. PRODUCT WILL BE PACKAGED PER PK-78888-085.
 6. SEE SHEET 2 FOR HOLE PATTERN DIMENSIONS.
 7. MATES WITH IMPEL BP SERIES NUMBER 171315.
 8. REFER TO IMPEL PCB ROUTING GUIDE AS-171320-990 FOR ANTIPAD, ROUTING RECOMMENDATIONS, AND ADDITIONAL PCB INFORMATION.
 9. WHEN STACKING MODULES END TO END, THE MINIMUM COLUMN TO COLUMN HOLE SPACING IS 2.65mm.

THIS DRAWING CONTAINS INFORMATION THAT IS PROPRIETARY TO MOLEX ELECTRONIC TECHNOLOGIES, LLC AND SHOULD NOT BE USED WITHOUT WRITTEN PERMISSION									
DIMENSION UNITS		SCALE		CURRENT REV DESC: ADD NEW P/N				molex	
mm		NTS							
GENERAL TOLERANCES (UNLESS SPECIFIED)				EC NO: 623408				IMPEL DAUGHTERCARD ASSY 4 PAIR - 1.9MM PITCH UNGUIDED SALES DRAWING	
ANGULAR TOL		± 0.5°		DRWN: HLG0H		2019/04/12			
4 PLACES		±		CHK'D: YLLIM		2019/08/29			
3 PLACES		±		APPR: DWLEE01		2019/09/16		PRODUCT CUSTOMER DRAWING	
2 PLACES		± 0.13		INITIAL REVISION:				DOCUMENT NUMBER	
1 PLACE		± 0.25		DRWN: JLAURX		2012/09/13		SD-171320-0001	
0 PLACES		±		APPR: JLAURX		2012/11/05		DOC TYPE DOC PART REVISION	
DRAFT WHERE APPLICABLE MUST REMAIN WITHIN DIMENSIONS				THIRD ANGLE PROJECTION		DRAWING		MATERIAL NUMBER	
				C-SIZE		SERIES		CUSTOMER	
				C-SIZE		171320		GENERAL MARKET	
								SHEET NUMBER	
								1 OF 2	

DOCUMENT STATUS	P1	RELEASE DATE	2019/09/16	07:04:34
-----------------	----	--------------	------------	----------

MATERIAL NUMBER	NUMBER OF COLUMNS	NUMBER OF DIFF PAIR	DIM "A"	DIM "B"
171320-1036	6	24	12.15 MAX	9.50
171320-1038	8	32	15.95 MAX	13.30
171320-1020	10	40	19.75 MAX	17.10
171320-1022	12	48	23.55 MAX	20.90
171320-1024	14	56	27.35 MAX	24.70
171320-1026	16	64	31.15 MAX	28.50



THIS DRAWING CONTAINS INFORMATION THAT IS PROPRIETARY TO MOLEX ELECTRONIC TECHNOLOGIES, LLC AND SHOULD NOT BE USED WITHOUT WRITTEN PERMISSION

DIMENSION UNITS	SCALE	CURRENT REV / DESC: ADD NEW P/N		molex			
mm	NTS			IMPEL DAUGHTERCARD ASSY 4 PAIR - 1.9MM PITCH UNGUIDED SALES DRAWING			
GENERAL TOLERANCES (UNLESS SPECIFIED)							
ANGULAR TOL	± 0.5°	EC NO: 623408		PRODUCT CUSTOMER DRAWING			
4 PLACES	±	DRWN: HLG0H 2019/04/12					
3 PLACES	±	CHK'D: YLLIM 2019/08/29					
2 PLACES	± 0.13	APPR: DWLEE01 2019/09/16		DOCUMENT NUMBER: SD-171320-0001 DOC TYPE: PSD DOC PART: 001 REVISION: A4			
1 PLACE	± 0.25	INITIAL REVISION:					
0 PLACES	±	DRWN: JLAURX 2012/09/13		MATERIAL NUMBER: SEE TABLE CUSTOMER: GENERAL MARKET SHEET NUMBER: 2 OF 2			
DRAFT WHERE APPLICABLE MUST REMAIN WITHIN DIMENSIONS		APPR: JLAURX 2012/11/05					
THIRD ANGLE PROJECTION		DRAWING: C-SIZE		SERIES: 171320			

DOCUMENT STATUS	P1	RELEASE DATE	2019/09/16	07:04:34
-----------------	----	--------------	------------	----------