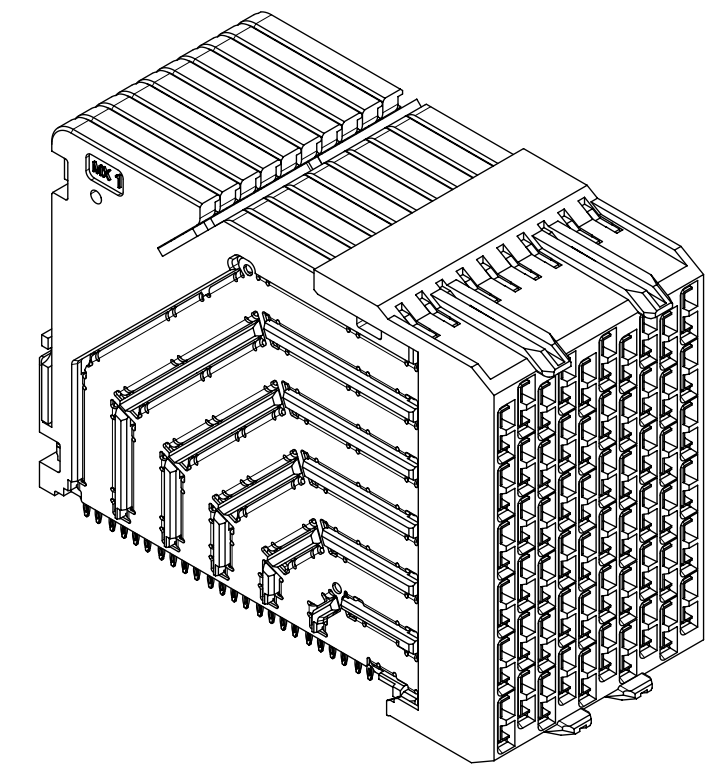
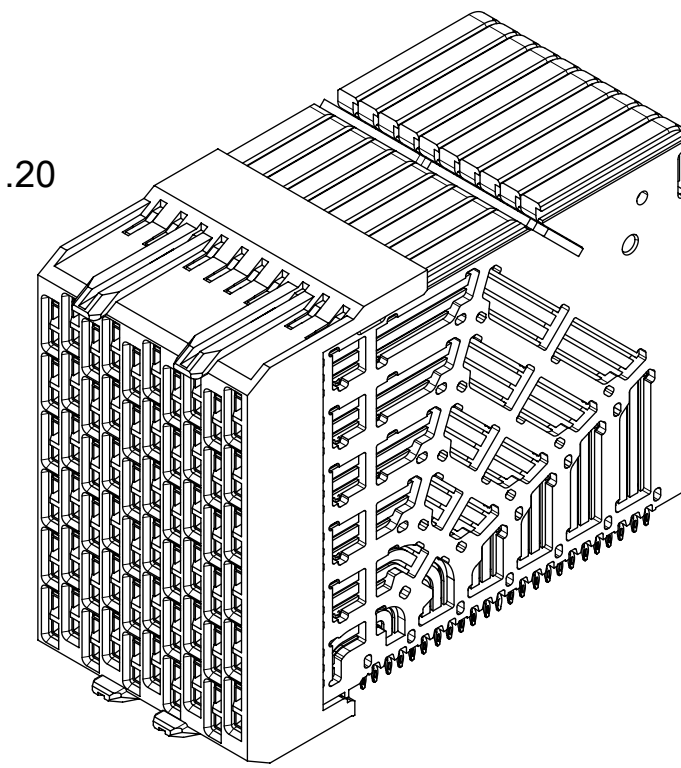


NOTES:

1. MATERIALS: HOUSING - LIQUID CRYSTAL POLYMER (LCP)
GLASS-FILLED, UL94V-0
TERMINALS - HIGH PERFORMANCE COPPER ALLOY
2. FINISH: 30uIN GOLD IN CONTACT AREA.
SELECTIVE TIN ON PCB TAILS.
NICKEL OVERALL.
3. REFER TO MOLEX PRODUCT SPECIFICATION PS-171320-999 FOR PERFORMANCE SPECIFICATIONS.
4. THIS PART CONFORMS TO CLASS B REQUIREMENTS OF MOLEX COSMETIC SPEC PS-45499-002.
5. PRODUCT WILL BE PACKAGED PER PK-78888-088.
6. SEE SHEET 2 FOR HOLE PATTERN DIMENSIONS.
7. MATES WITH IMPEL BP SERIES NUMBER 171395.
8. REFER TO IMPEL PCB ROUTING GUIDE AS-171320-990 FOR ANTIPAD, ROUTING RECOMMENDATIONS, AND ADDITIONAL PCB INFORMATION.
9. WHEN STACKING MODULES END TO END, THE MINIMUM COLUMN TO COLUMN HOLE SPACING IS 2.65mm.



THIS DRAWING CONTAINS INFORMATION THAT IS PROPRIETARY TO MOLEX ELECTRONIC TECHNOLOGIES, LLC AND SHOULD NOT BE USED WITHOUT WRITTEN PERMISSION

EC NO: 177599 DRWN: ABN CHKD: CYLIAW APPR: DWLE01	2017/12/14 2018/06/07 2018/06/19	GENERAL TOLERANCES (UNLESS SPECIFIED) ANGULAR TOL ± 0.5 ° 4 PLACES ± 3 PLACES ± 2 PLACES ± 0.13 1 PLACE ± 0.25 0 PLACES ±	DIMENSION UNITS: mm SCALE: 4:1 DRWN BY: JLAURX DATE: 2012/01/10 CHK'D BY: DATE: APPR BY: JLAURX DATE: 2012/05/18	molex IMPEL DAUGHTERCARD ASSY 6 PAIR - 1.9MM PITCH UNGUIDED SALES DRAWING		
	DRAFT WHERE APPLICABLE MUST REMAIN WITHIN DIMENSIONS		DRAWING SIZE: C THIRD ANGLE PROJECTION	PRODUCT CUSTOMER DRAWING		
	A5		SERIES: 171400 MATERIAL NUMBER: SEE CHART CUSTOMER: GENERAL MARKET		DOCUMENT NUMBER: SD-171400-0001 DOC TYPE: PSD DOC PART: 001 SHEET NUMBER: 1 OF 2	
	RELEASE STATUS: P1 RELEASE DATE: 2018/06/19 03:31:31					

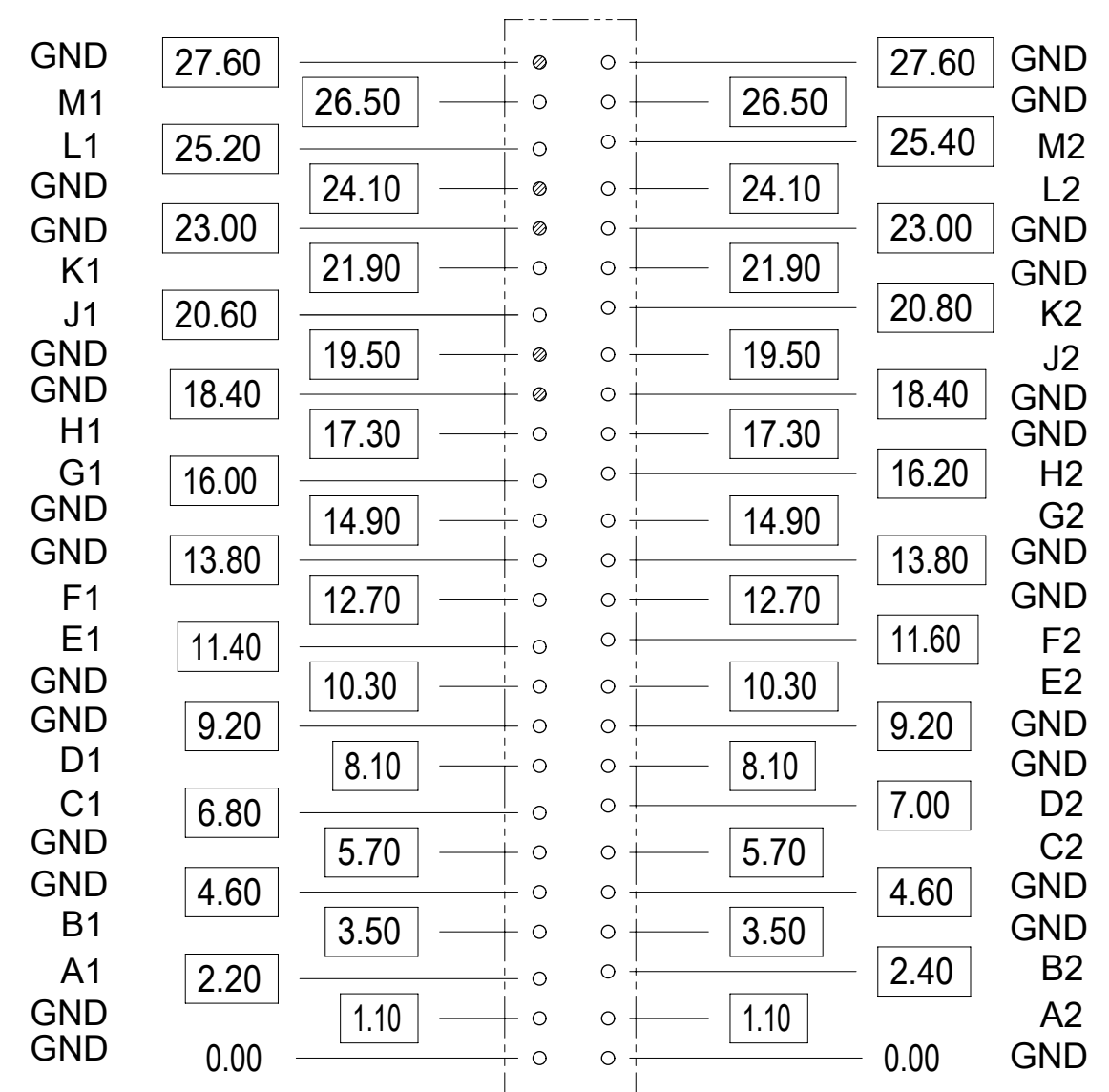
MATERIAL NUMBER	NUMBER OF COLUMNS	NUMBER OF DIFF PAIR	DIM "A"	DIM "B"
171400-1038	8	48	15.95 MAX	13.30
171400-1020	10	60	19.75 MAX	17.10
171400-1022	12	72	23.55 MAX	20.90
171400-1026	16	96	31.15 MAX	28.50

171400 - 10**

MODULE TYPE
1 = UNGUIDE

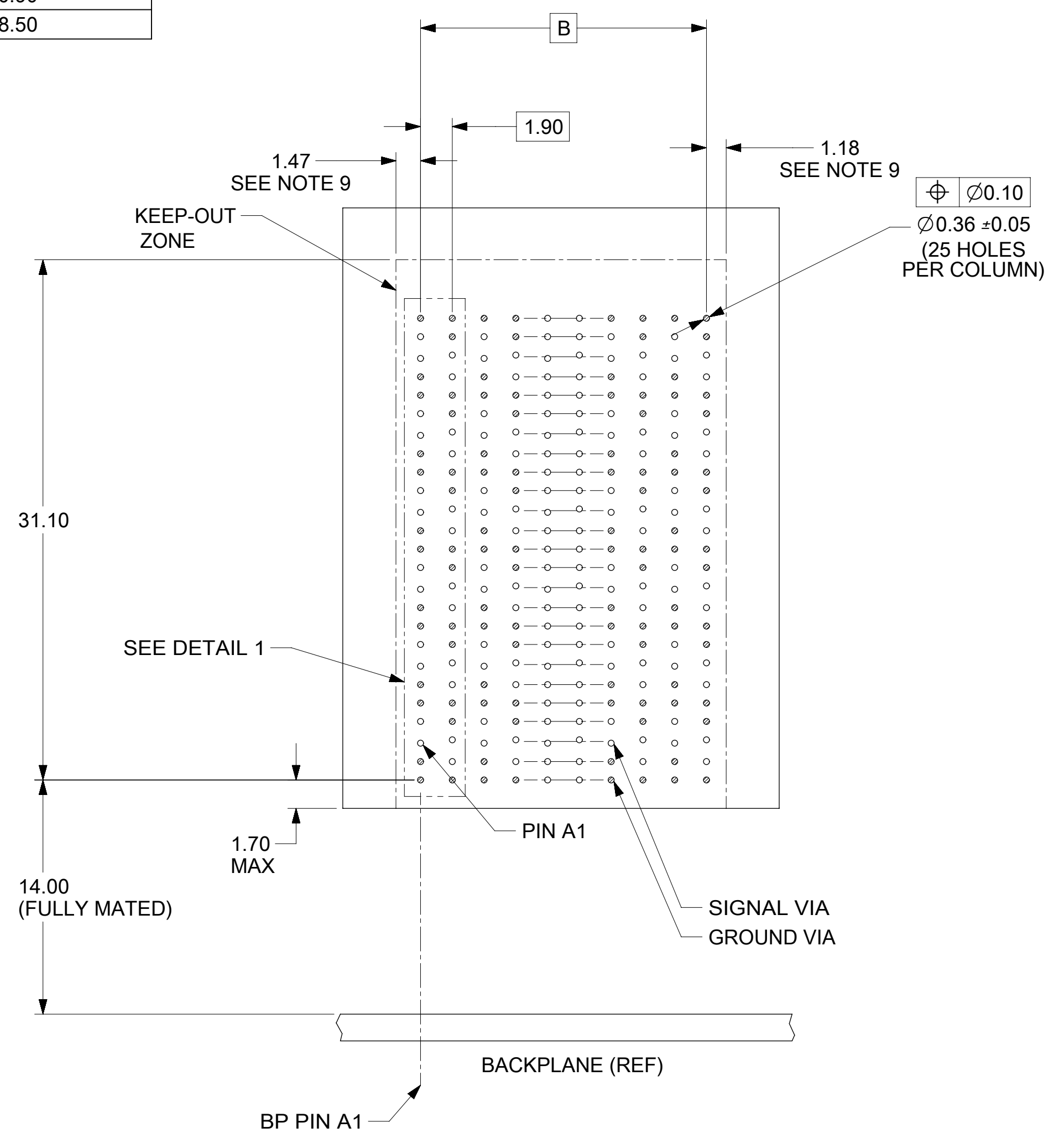
KEY ORIENTATION
0 = NO KEY

OF COLUMNS
38 = 8 COL
20 = 10 COL
22 = 12 COL
26 = 16 COL



ODD COLUMN DIMENSIONS EVEN COLUMN DIMENSIONS

DETAIL 1
SCALE 5:1



DAUGHTERCARD HOLE PATTERN (CONNECTOR SIDE)

THIS DRAWING CONTAINS INFORMATION THAT IS PROPRIETARY TO MOLEX ELECTRONIC TECHNOLOGIES, LLC AND SHOULD NOT BE USED WITHOUT WRITTEN PERMISSION

EC NO: 177599 DRWN: ABN CHKD: CYLAW REV: APPR: DWLEED1	2017/12/14 2018/06/07 2018/06/19	GENERAL TOLERANCES (UNLESS SPECIFIED) ANGULAR TOL ± 0.5 ° 4 PLACES ± 3 PLACES ± 2 PLACES ± 0.13 1 PLACE ± 0.25 0 PLACES ±	DIMENSION UNITS: mm SCALE: 1:1 DRWN BY: JLAURX DATE: 2012/01/10 CHKD BY: DATE: APPR BY: JLAURX DATE: 2012/05/18	molex IMPEL DAUGHTERCARD ASSY 6 PAIR - 1.9MM PITCH UNGUIDED SALES DRAWING			
	DRAFT WHERE APPLICABLE MUST REMAIN WITHIN DIMENSIONS			DRAWING SIZE: C THIRD ANGLE PROJECTION	PRODUCT CUSTOMER DRAWING SERIES: 171400 MATERIAL NUMBER: SEE CHART CUSTOMER: GENERAL MARKET		
	RELEASE STATUS: P1 RELEASE DATE: 2018/06/19 03:31:31			DOCUMENT NUMBER: SD-171400-0001 DOC TYPE: PSD DOC PART: 001 SHEET NUMBER: 2 OF 2			
	A5			1			