

PORT SIZE	PART NUMBER	DIM 'A'	DIM 'B'	DIM 'C'
2X1	171565-100*	19.5	24.1	19.00
2X2	171565-000*	38.5	43.1	38.00
2X3	171565-300*	57.5	62.1	57.00

* - DESIGNATES FRONT PLATE OPTIONS

NOTES:

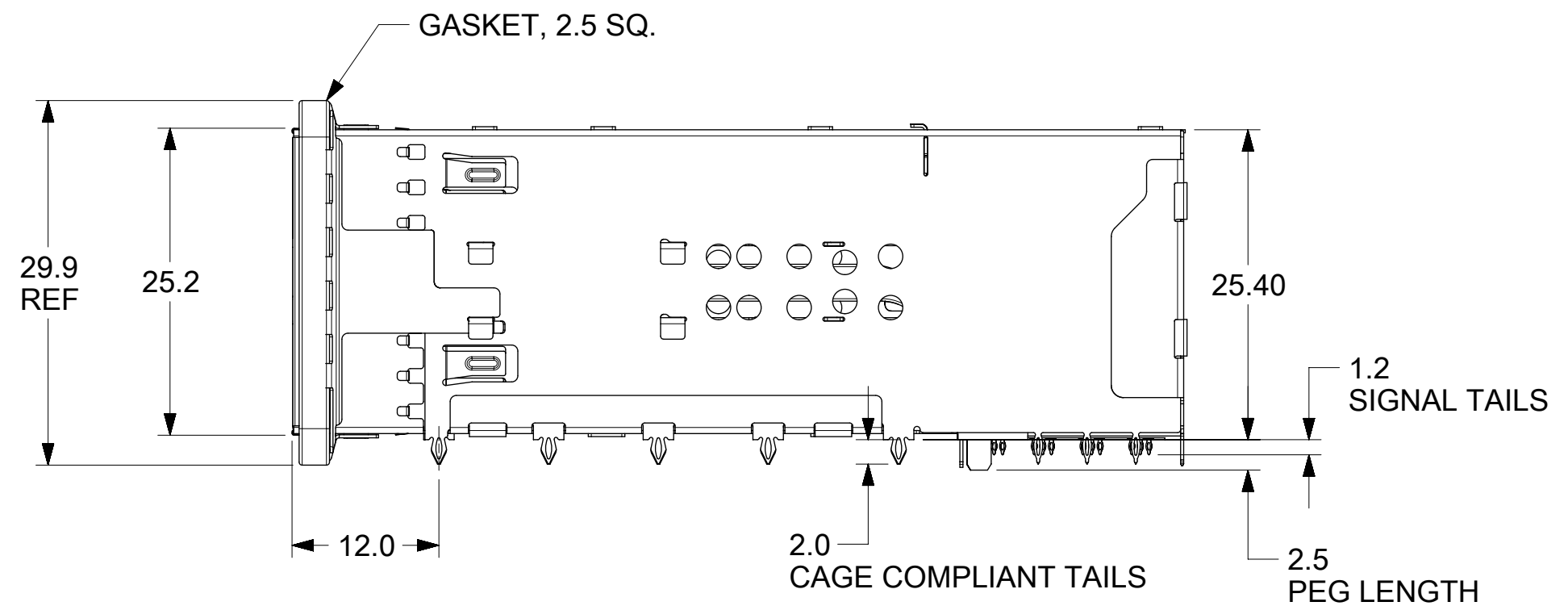
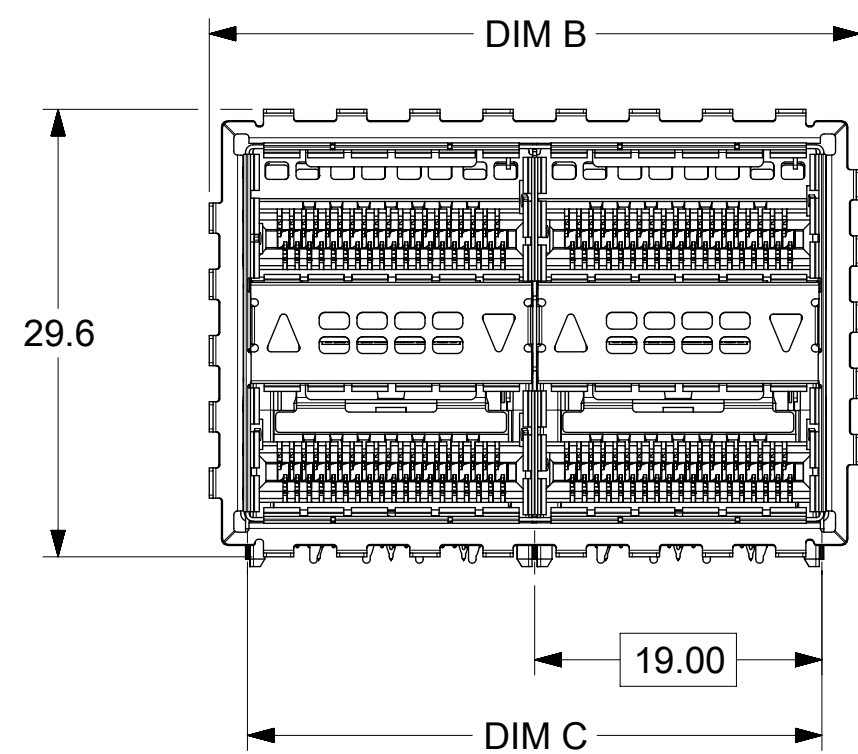
1. MATERIAL:

CAGE: NICKEL SILVER, 0.25 THICK
 EMI STRAPS: PHOS-BRONZE, 0.10 THICK
 GASKET: SILICONE
 LIGHT PIPES (OPTIONAL): POLYCARBONATE
 (PER TELCORDIA-GR-63-CORE-ISSUE3, SECTION 4.2.3.1; R4-43,
 DISCRETE STRUCTURAL COMPONENTS CONSTITUTING A FUEL
 LOAD OF 1 GRAM OR LESS ARE EXEMPT FROM THE REQUIREMENTS
 OF R4-43 (91); UL 94V-0 RATING)
 CONNECTOR HOUSING: HIGH PERFORMANCE THERMOPLASTIC, 94V-0
 TERMINALS: HIGH PERFORMANCE COPPER ALLOY, 0.18 THICK

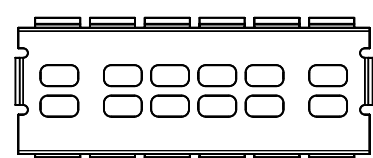
2. FINISH:

SPRING FINGERS: 0.5µm NICKEL OVERALL
 GASKET: SILVER
 TERMINALS: CONTACT AREA: 0.76µm MIN GOLD OVER 2.5µm MIN NICKEL.
 COMPLIANT AREA: 0.76-1.52µm MATTE TIN OVER 1.27µm MIN NICKEL.

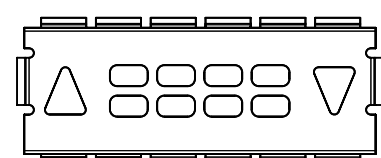
3. ALL SURFACES TO BE CLASS 'C' OR BETTER PER MOLEX COSMETIC SPECIFICATION PS-45499-002.
 4. REFER TO PK-171565-0001 FOR PACKAGING SPECIFICATIONS.
 5. CONNECTOR INTENDED TO MATE WITH PLUG CABLE SERIES 74757 AND 74758.
 6. DATE CODE LOCATION SHOWN, DATE CODE FORMAT: LDDDYX
 L: MOLEX INTERNAL CONTROL
 DDD: DAY OF THE YEAR
 Y: LAST DIGIT OF YEAR
 X: MOLEX INTERNAL CONTROL



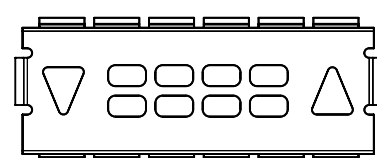
171565-0002 SHOWN FOR REFERENCE
 APPEARANCE MAY VARY BY SIZE



P/N 171565-*001
 AIRFLOW ONLY
 NO LIGHTPIPE



P/N 171565-*002
 UP / DOWN LIGHTPIPE
 INDICATOR



P/N 171565-*003
 DOWN / UP LIGHTPIPE
 INDICATOR

THIS DRAWING CONTAINS INFORMATION THAT IS PROPRIETARY TO MOLEX ELECTRONIC TECHNOLOGIES, LLC AND SHOULD NOT BE USED WITHOUT WRITTEN PERMISSION

DIMENSION UNITS		SCALE		CURRENT REV DESC: SEE REVISION HISTORY	
mm		2:1			
GENERAL TOLERANCES (UNLESS SPECIFIED)				EC NO: 617910	
		MM	INCH	DRWN: CWANG67	2019/05/21
4 PLACES	±			CHK'D: CWANG67	2019/05/24
3 PLACES	±			APPR: RNELSON	2019/05/28
2 PLACES	±	0.13		INITIAL REVISION:	
1 PLACE	±	0.25		DRWN: JKACHLIC	2012/08/23
0 PLACES	±			APPR: MBANAKIS	2012/08/30
ANGULAR TOL		± 0.5 °			
DRAFT WHERE APPLICABLE MUST REMAIN WITHIN DIMENSIONS		THIRD ANGLE PROJECTION		DRAWING	SERIES
		C-SIZE		171565	
DOCUMENT STATUS		P1		RELEASE DATE	
2019/05/28		04:38:04			
DOCUMENT NUMBER		DOC TYPE		DOC PART	
SD-171565-2000		PSD		001	
MATERIAL NUMBER		CUSTOMER		SHEET NUMBER	
SEE CHART		GENERAL MARKET		1 OF 4	

molex

ZQSFP+ STACKED ASSY
 W/ELASTOMERIC GASKET

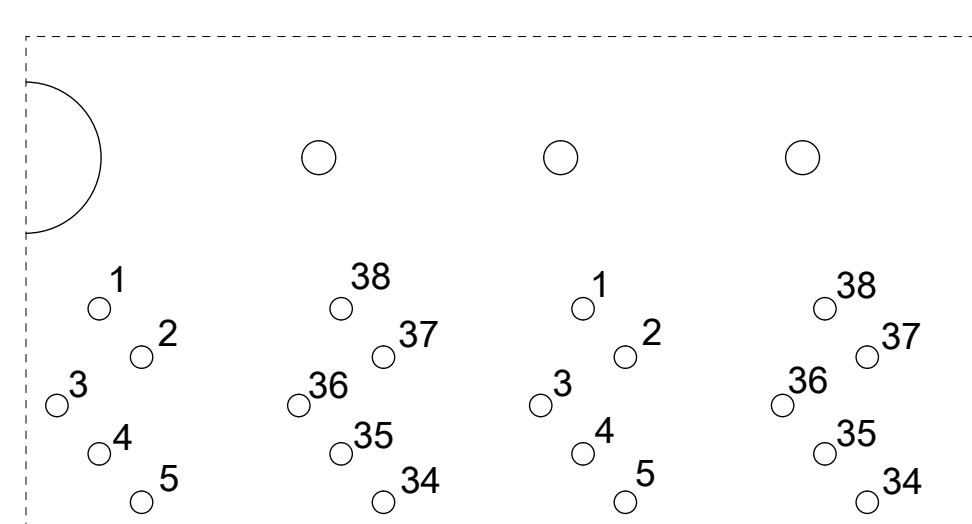
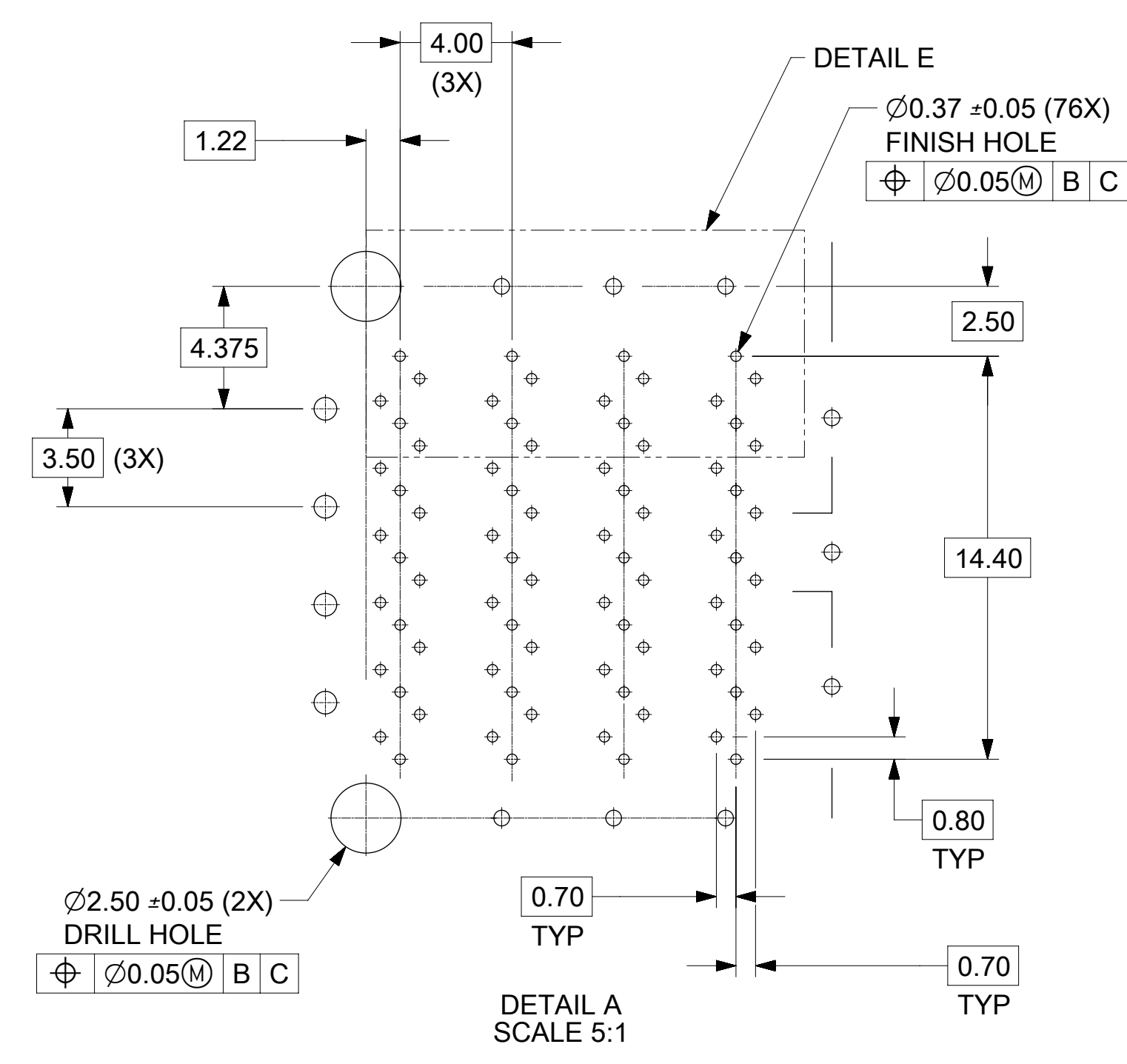
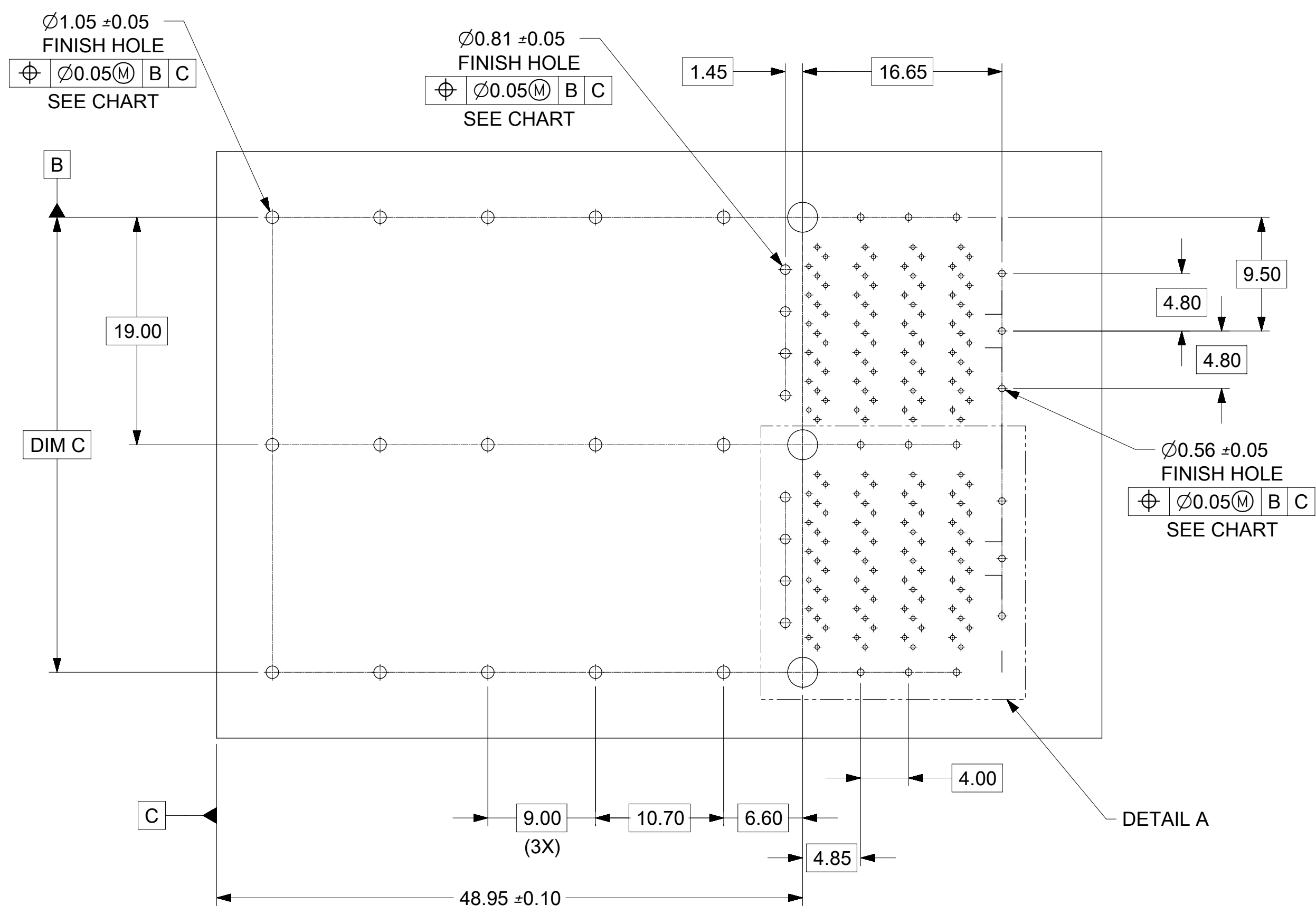
PRODUCT CUSTOMER DRAWING

DOCUMENT NUMBER DOC TYPE DOC PART REVISION

SD-171565-2000 PSD 001 A2

MATERIAL NUMBER CUSTOMER SHEET NUMBER

SEE CHART GENERAL MARKET 1 OF 4



DETAIL E
SCALE 8:1
PIN ASSIGNMENTS

PORT SIZE	DIM C	Ø1.05 PTH QUANTITY	Ø0.56 PTH QUANTITY	Ø0.81 PTH QUANTITY
2X1	19.00	10	9	4
2X2	38.00	15	15	8
2X3	57.00	20	21	12

THIS DRAWING CONTAINS INFORMATION THAT IS PROPRIETARY TO MOLEX ELECTRONIC TECHNOLOGIES, LLC AND SHOULD NOT BE USED WITHOUT WRITTEN PERMISSION

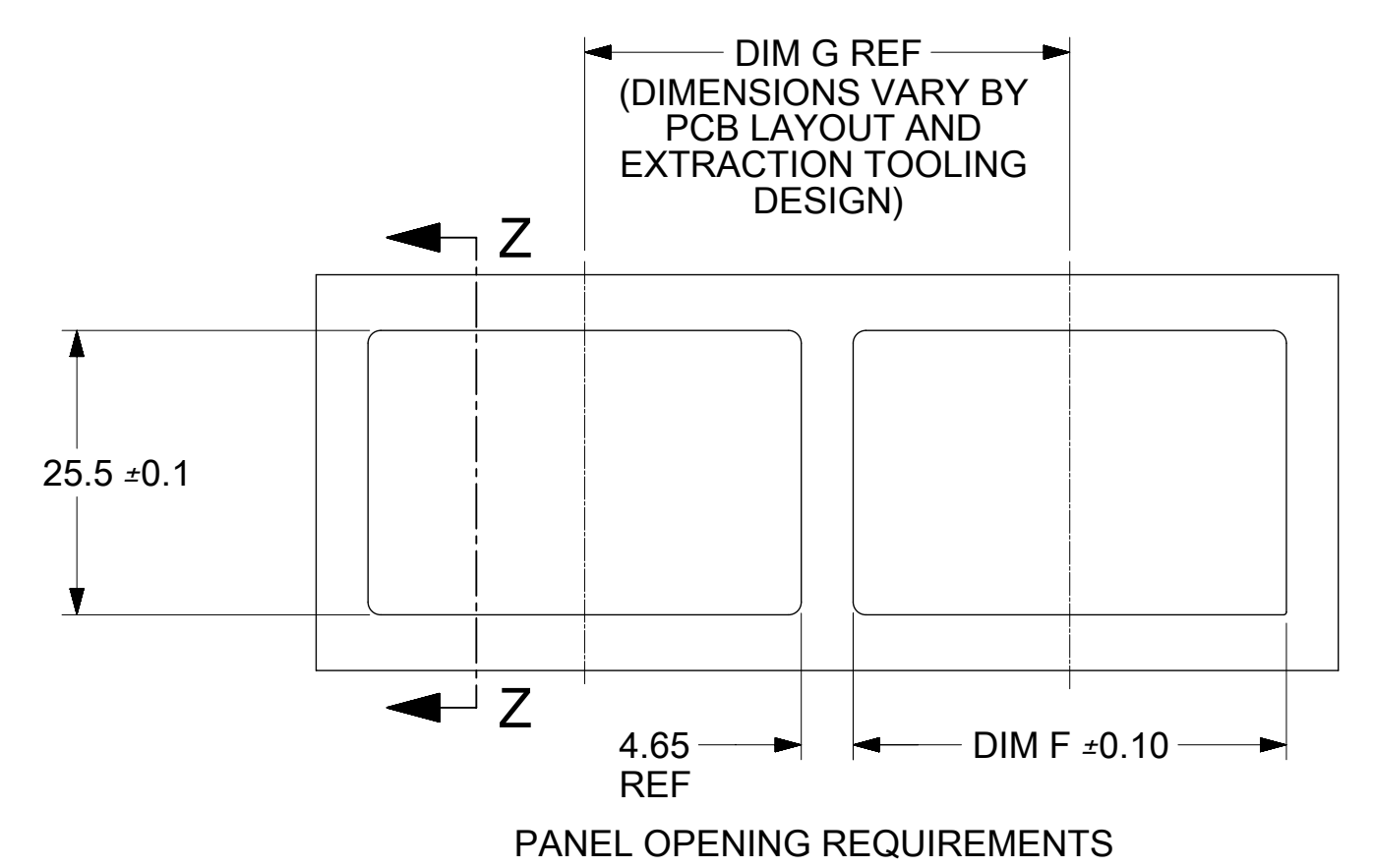
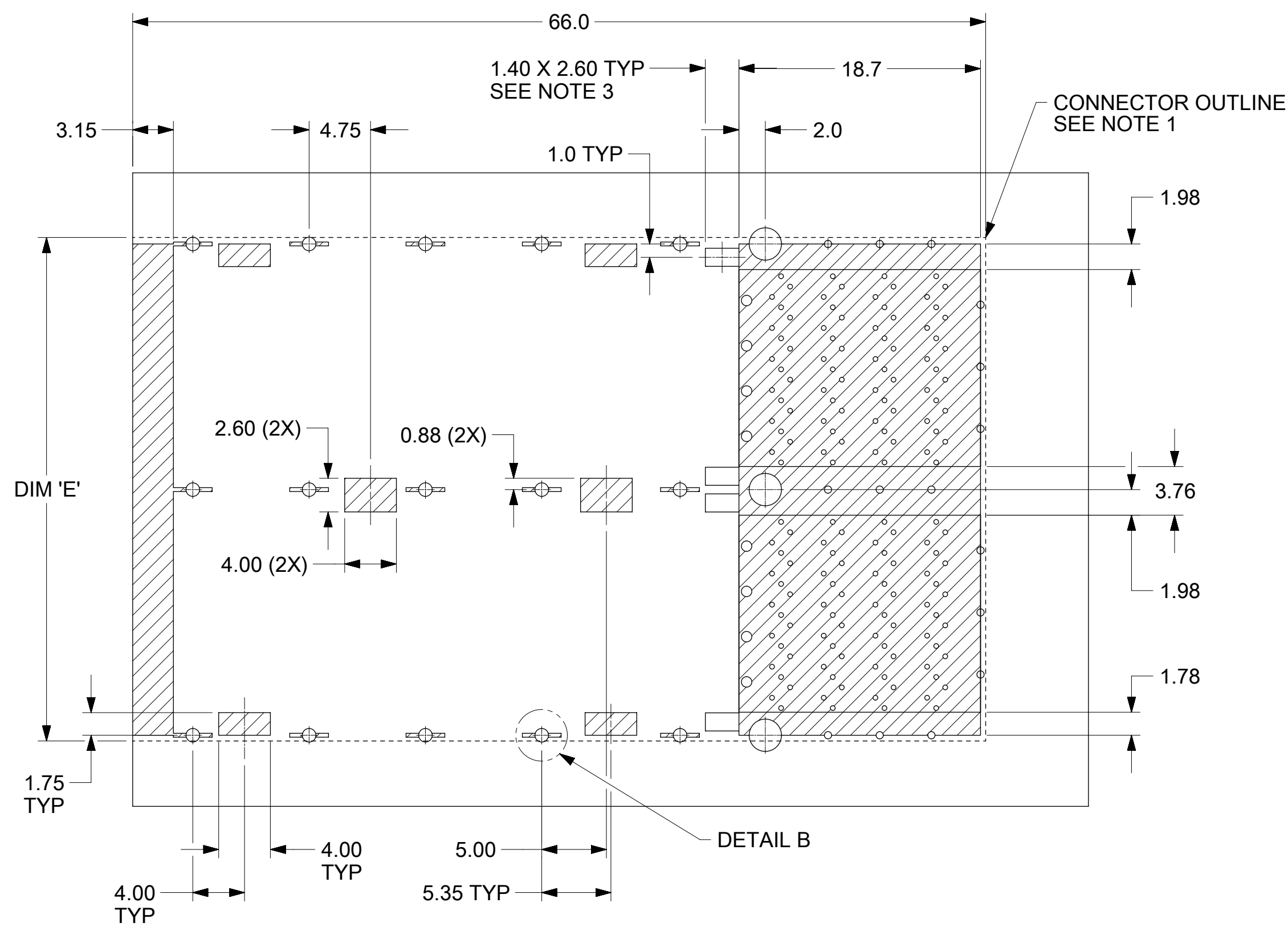
DIMENSION UNITS mm		SCALE 3:1		CURRENT REV DESC: SEE REVISION HISTORY	
GENERAL TOLERANCES (UNLESS SPECIFIED)				EC NO: 617910	
4 PLACES	±	MM	±	DRWN: CWANG67	2019/05/21
3 PLACES	±	INCH	±	CHK'D: CWANG67	2019/05/24
2 PLACES	± 0.13			APPR: RNELSON	2019/05/28
1 PLACE	± 0.25			INITIAL REVISION:	
0 PLACES	±			DRWN: JKACHLIC	2012/08/23
ANGULAR TOL	± 0.5°			APPR: MBANAKIS	2012/08/30
DRAFT WHERE APPLICABLE MUST REMAIN WITHIN DIMENSIONS		THIRD ANGLE PROJECTION		DRAWING	SERIES
				C-SIZE	171565
DOCUMENT STATUS		P1		RELEASE DATE	
2019/05/28		04:38:04			

ZQSFP+ STACKED ASSY
W/ELASTOMERIC GASKET

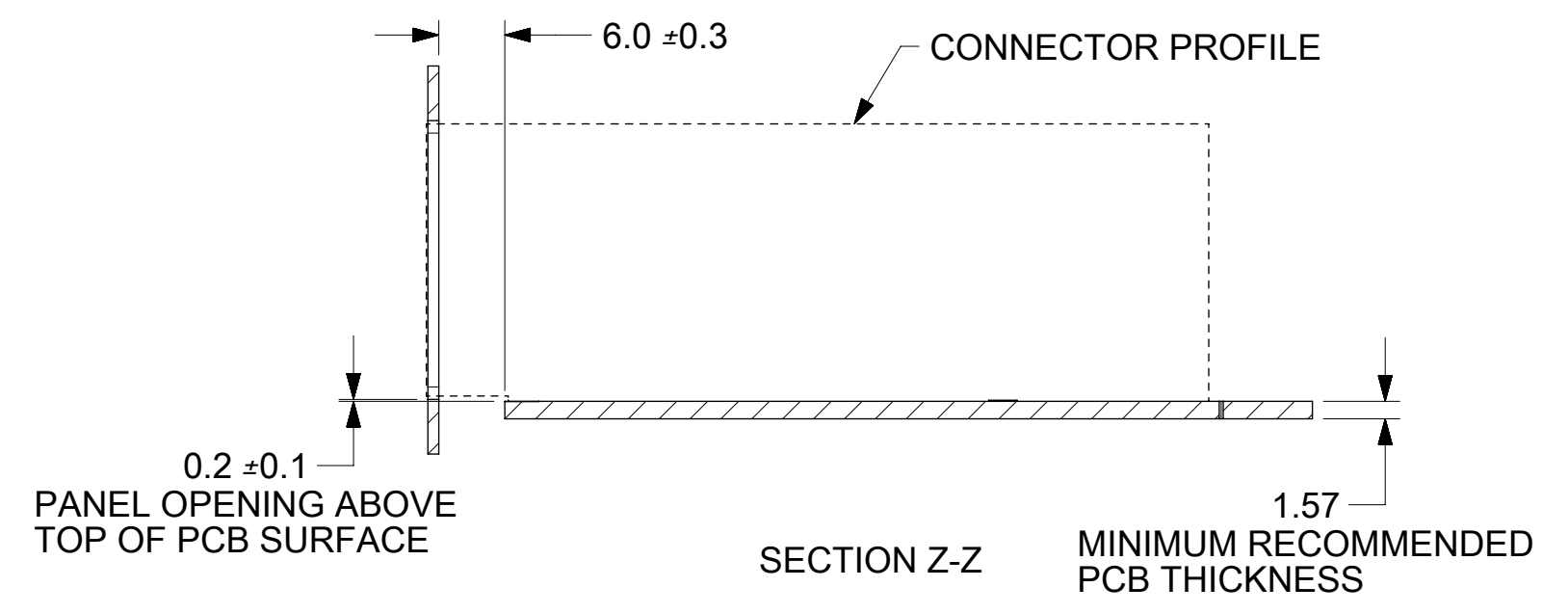
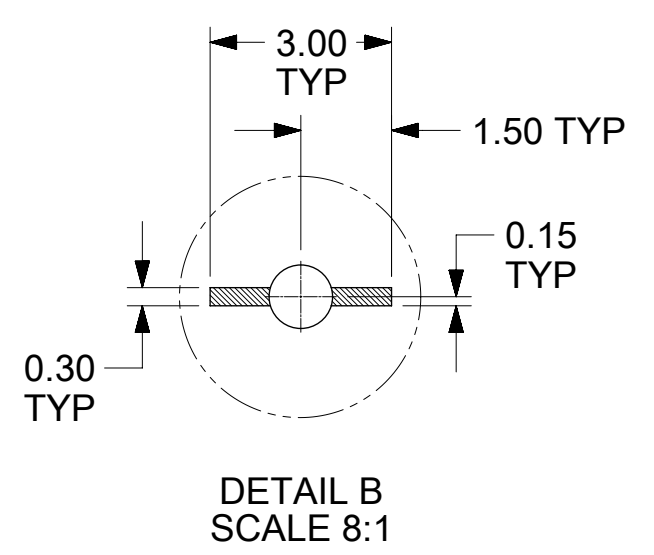
PRODUCT CUSTOMER DRAWING

DOCUMENT NUMBER	DOC TYPE	DOC PART	REVISION
SD-171565-2000	PSD	001	A2

MATERIAL NUMBER	CUSTOMER	SHEET NUMBER
SEE CHART	GENERAL MARKET	2 OF 4



PORT SIZE	DIM 'E'	DIM 'F'	DIM 'G'
2X1	19.5	19.85	24.50
2X2	38.5	38.85	43.50
2X3	57.5	57.85	62.50



- NOTES:
1. THE ENTIRE AREA UNDER THE CONNECTOR IS A KEEP OUT ZONE FOR COMPONENTS AND TRACES, TOP LAYER ONLY, EXCEPT FOR CHASSIS GROUND.
 2. CROSS-HATCHED AREAS INDICATE PLACES WHERE THE PLASTIC HOUSING AND METAL CAGE MAY CONTACT PCB SURFACE. THESE AREAS ARE KEEP OUT ZONES. CROSS-HATCHED AREA UNDER THE CONNECTOR ARE TRACE AND VIA KEEP OUT AREAS FOR THE TOP LAYER.
 3. THESE RECTANGULAR ZONES ARE FOR LED PLACEMENT. LED HEIGHT SHOULD NOT EXCEED 0.8 AND PLACEMENT SHOULD BE CENTERED WITHIN THIS LED KEEP-IN ZONE.
 4. RECOMMENDED LED CHIP PACKAGE SIZE IS 0805.

THIS DRAWING CONTAINS INFORMATION THAT IS PROPRIETARY TO MOLEX ELECTRONIC TECHNOLOGIES, LLC AND SHOULD NOT BE USED WITHOUT WRITTEN PERMISSION

DIMENSION UNITS	SCALE	CURRENT REV DESC: SEE REVISION HISTORY				
mm	1:1					
GENERAL TOLERANCES (UNLESS SPECIFIED)		EC NO: 617910		ZQSFP+ STACKED ASSY W/ELASTOMERIC GASKET		
4 PLACES	±	DRWN: CWANG67	2019/05/21			
3 PLACES	±	CHK'D: CWANG67	2019/05/24	PRODUCT CUSTOMER DRAWING		
2 PLACES	± 0.13	APPR: RNELSON	2019/05/28			
1 PLACE	± 0.25	INITIAL REVISION:		DOCUMENT NUMBER: SD-171565-2000 DOC TYPE: PSD DOC PART: 001 REVISION: A2		
0 PLACES	±	DRWN: JKACHLIC	2012/08/23			
ANGULAR TOL ± 0.5°		APPR: MBANAKIS	2012/08/30	MATERIAL NUMBER: SEE CHART CUSTOMER: GENERAL MARKET SHEET NUMBER: 3 OF 4		
DRAFT WHERE APPLICABLE MUST REMAIN WITHIN DIMENSIONS		THIRD ANGLE PROJECTION	DRAWING: C-SIZE			

REVISION HISTORY		
DATE	REV.	DESCRIPTION
2019/05/23	A2	1.ADDED REVISION HISTORY TABLE. 2.UPDATE NOTE4 FOR PK SPEC. 3.CHG DATE CODE FORMAT TO LDDDYX.
		4.UPDATE KEEP OUT ZONE AND VERBIAGE IN NOTE1&2, SHEET3. 5.UPDATE PANEL OPENING INFORMATION IN SHEET3.

THIS DRAWING CONTAINS INFORMATION THAT IS PROPRIETARY TO MOLEX ELECTRONIC TECHNOLOGIES, LLC AND SHOULD NOT BE USED WITHOUT WRITTEN PERMISSION

DIMENSION UNITS mm	SCALE 1:1	CURRENT REV DESC: SEE REVISION HISTORY	molex			
GENERAL TOLERANCES (UNLESS SPECIFIED)						
ANGULAR TOL ± 0.5°		EC NO: 617910	ZQSFP+ STACKED ASSY W/ELASTOMERIC GASKET			
4 PLACES ±		DRWN: CWANG67 2019/05/21				
3 PLACES ±		CHK'D: CWANG67 2019/05/24				
2 PLACES ± 0.13		APPR: RNELSON 2019/05/28	PRODUCT CUSTOMER DRAWING			
1 PLACE ± 0.25		INITIAL REVISION:	DOCUMENT NUMBER	DOC TYPE	DOC PART	REVISION
0 PLACES ±		DRWN: JKACHLIC 2012/08/23	SD-171565-2000	PSD	001	A2
DRAFT WHERE APPLICABLE MUST REMAIN WITHIN DIMENSIONS	THIRD ANGLE PROJECTION	DRAWING	SERIES	MATERIAL NUMBER	CUSTOMER	SHEET NUMBER
		C-SIZE	171565		GENERAL MARKET	4 OF 4

DOCUMENT STATUS	P1	RELEASE DATE	2019/05/28 04:38:04
-----------------	----	--------------	---------------------