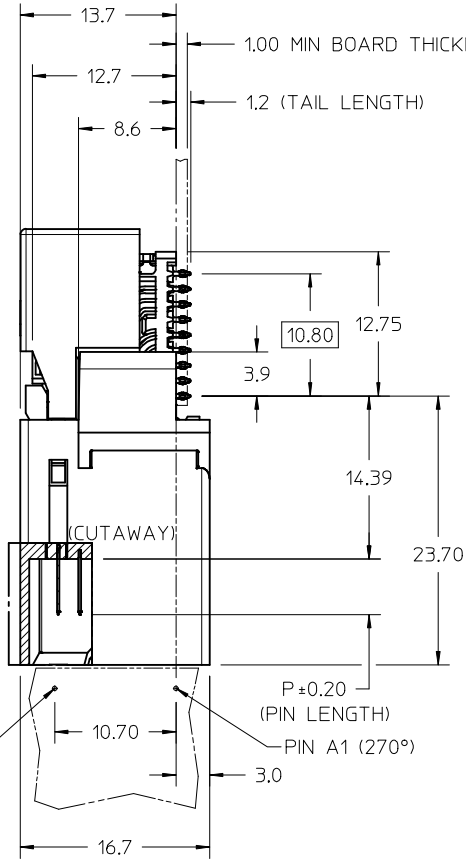
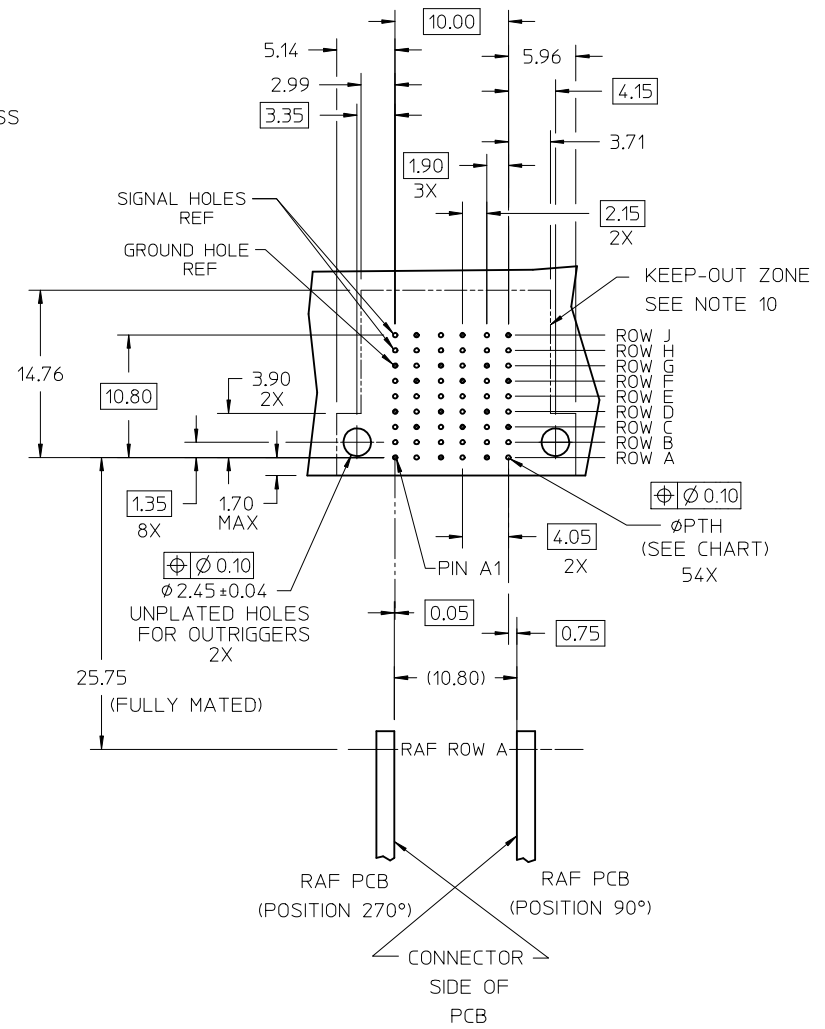
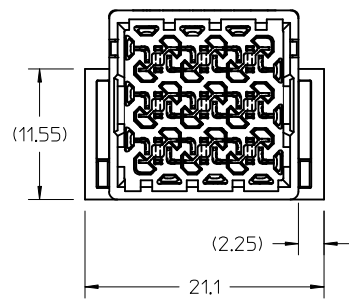


SEE NOTE 11



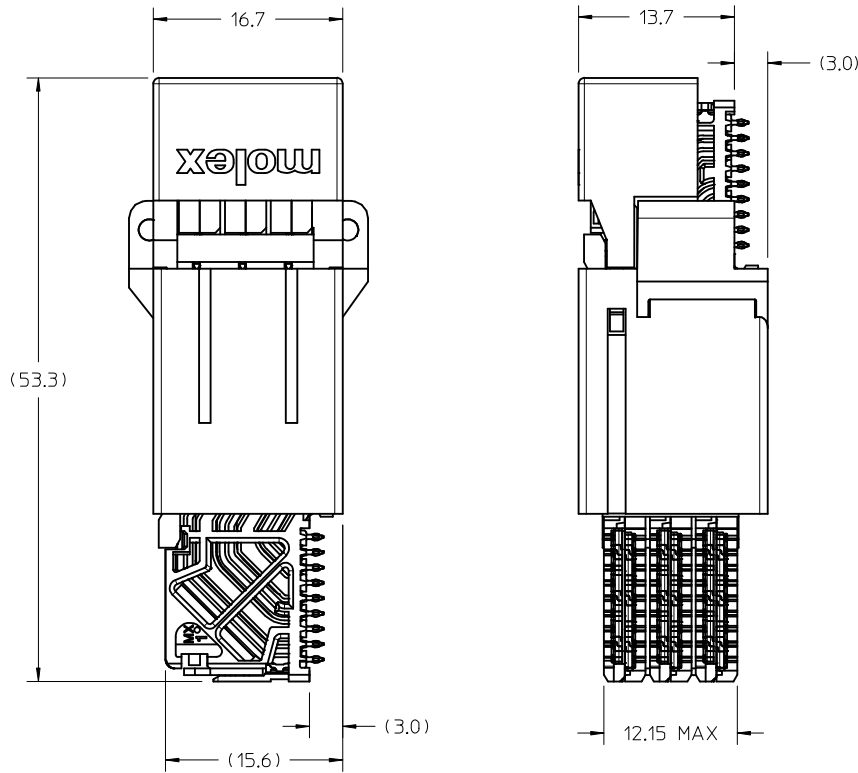
PIN A1 (90°)

PIN A1 (270°)



OD-RAM HOLE PATTERN
(CONNECTOR SIDE)

2ND GATE AND OUTRIGGERS EC NO: UCP2015-5544 DRAWN: J MILLER 2016/10/07 CHKD: TELO APPR: TELO 2016/10/10	QUALITY SYMBOLS ▽=0 ▽=0	GENERAL TOLERANCES (UNLESS SPECIFIED) mm INCH 4 PLACES ± --- ± --- 3 PLACES ± --- ± --- 2 PLACES ± 0.13 ± --- 1 PLACE ± 0.25 ± --- ANGULAR ± 1/2°	DIMENSION STYLE MM ONLY DRAWN BY DATE JMENDOZA 2012/08/20 CHECKED BY DATE TELO 2012/08/20 APPROVED BY DATE TELO 2013/12/26	SCALE 3:1 DESIGN UNITS METRIC THIRD ANGLE PROJECTION	TITLE IMPACT ORTHOGONAL DIRECT 3 PAIR RAM 90 & 270 ASSY UNGUIDED SALES DRAWING MOLEX INCORPORATED	MATERIAL NO. SEE CHART DOCUMENT NO. SD-171573-0001 SHEET NO. 1 OF 4
	DRAFT WHERE APPLICABLE MUST REMAIN WITHIN DIMENSIONS		THIS DRAWING CONTAINS INFORMATION THAT IS PROPRIETARY TO MOLEX INCORPORATED AND SHOULD NOT BE USED WITHOUT WRITTEN PERMISSION			



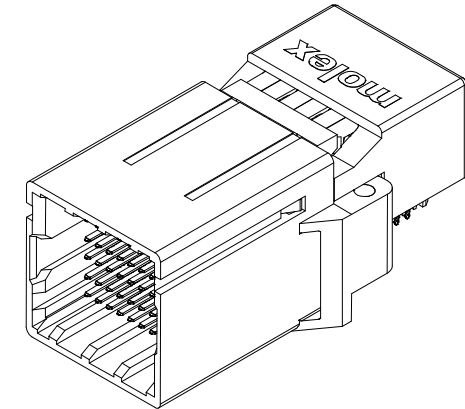
171573-16**

MODULE TYPE
1 = UNGUIDED, TIN

OF COLUMNS
6 = 6 COLUMN

PIN LENGTH (P)
4 = 4.90 (0.46 PTH)
5 = 5.50 (0.46 PTH)
7 = 4.90 (0.39 PTH)
8 = 5.50 (0.39 PTH)

MATE POSITION
1 = 90 DEGREE
3 = 270 DEGREE



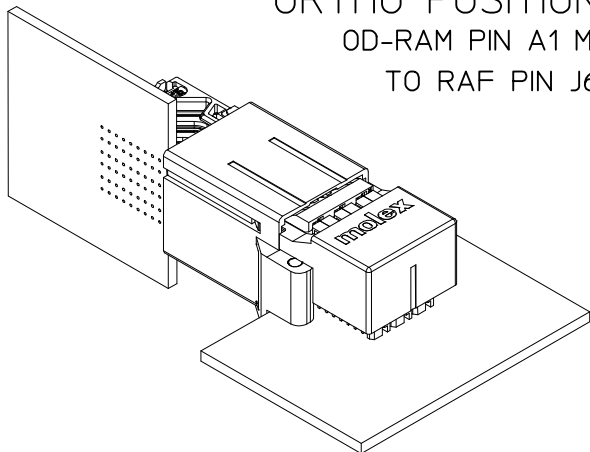
UNGUIDED OD-RAM

MATED DIMENSIONS
(POSITION 90° SHOWN)

NOTES:

1. MATERIALS: HOUSING - LIQUID CRYSTAL POLYMER (LCP)
GLASS-FILLED, UL94V-0
TERMINALS - HIGH PERFORMANCE COPPER ALLOY
2. FINISH: 30μ MIN GOLD IN CONTACT AREA.
SELECTIVE TIN ON PCB TAILS.
NICKEL OVERALL.
3. REFER TO MOLEX PRODUCT SPECIFICATION PS-76060-999
FOR PERFORMANCE SPECIFICATIONS AND ADDITIONAL PCB INFORMATION.
4. THIS PART CONFORMS TO CLASS B REQUIREMENTS OF
COSMETIC SPEC PS-45499-002.
5. PACKAGE PER: PK-70873-8018.
6. SEE SHEETS 3 FOR ORTHOGONAL PIN MAPPING.
7. REFER TO MOLEX SALES DRAWING SD-76860-001 FOR
THE MATING RECEPTACLES.
8. REFER TO MOLEX ROUTING GUIDE AS-76850-990 FOR ADDITIONAL PCB LAYOUT
AND ROUTING RECOMMENDATIONS.
9. CONNECTORS ARE SUPPLIED WITH TWO 2-32 THREAD FORMING SCREWS.
10. THESE DIMENSIONS REPRESENT THE AREA NEEDED TO ACCOMODATE CONNECTOR
INSERTION AND REPAIR ON THE PC BOARD. THIS IS REFERRED TO AS THE
"CONNECTOR KEEP OUT ZONE" AND DOES NOT REPRESENT THE ACTUAL PERIMETER
OF THE CONNECTOR.
11. MARKING: LOCATED APPROXIMATELY AS SHOWN, ON BOTTOM OR TOP HOUSING.
PART NUMBER AND DATE CODE.

SEE SHEET 1 EC NO: UCP2015-5544 DRAWN BY MILLER 2016/10/07 CHKD: APPR:TELO 2016/10/10	QUALITY SYMBOLS ▽=0 ▽=0	GENERAL TOLERANCES (UNLESS SPECIFIED)	DIMENSION STYLE MM ONLY	SCALE 3:1	DESIGN UNITS METRIC	THIRD ANGLE PROJECTION																															
	<table border="1"> <thead> <tr> <th></th> <th>mm</th> <th>INCH</th> </tr> </thead> <tbody> <tr> <td>4 PLACES</td> <td>± .13</td> <td>± .005</td> </tr> <tr> <td>3 PLACES</td> <td>± .13</td> <td>± .005</td> </tr> <tr> <td>2 PLACES</td> <td>± 0.13</td> <td>± .005</td> </tr> <tr> <td>1 PLACE</td> <td>± 0.25</td> <td>± .010</td> </tr> </tbody> </table>		mm	INCH	4 PLACES	± .13	± .005	3 PLACES	± .13	± .005	2 PLACES	± 0.13	± .005	1 PLACE	± 0.25	± .010	<table border="1"> <thead> <tr> <th>DRAWN BY</th> <th>DATE</th> <th>CHECKED BY</th> <th>DATE</th> </tr> </thead> <tbody> <tr> <td>JMENDOZA</td> <td>2012/08/20</td> <td>TELO</td> <td>2012/08/20</td> </tr> <tr> <td>APPROVED BY</td> <td>DATE</td> <td colspan="2"></td> </tr> <tr> <td>TELO</td> <td>2013/12/26</td> <td colspan="2"></td> </tr> </tbody> </table>	DRAWN BY	DATE	CHECKED BY	DATE	JMENDOZA	2012/08/20	TELO	2012/08/20	APPROVED BY	DATE			TELO	2013/12/26			<p>TITLE IMPACT ORTHOGONAL DIRECT 3 PAIR RAM 90 & 270 ASSY UNGUIDED SALES DRAWING</p> <p>MATERIAL NO. TELO</p>			<p>DOCUMENT NO. SD-171573-0001</p> <p>SHEET NO. 2 OF 4</p>
	mm	INCH																																			
4 PLACES	± .13	± .005																																			
3 PLACES	± .13	± .005																																			
2 PLACES	± 0.13	± .005																																			
1 PLACE	± 0.25	± .010																																			
DRAWN BY	DATE	CHECKED BY	DATE																																		
JMENDOZA	2012/08/20	TELO	2012/08/20																																		
APPROVED BY	DATE																																				
TELO	2013/12/26																																				
DRAFT WHERE APPLICABLE MUST REMAIN WITHIN DIMENSIONS		SEE CHART		<p>THIS DRAWING CONTAINS INFORMATION THAT IS PROPRIETARY TO MOLEX INCORPORATED AND SHOULD NOT BE USED WITHOUT WRITTEN PERMISSION</p>																																	



ORTHO POSITION 90°
OD-RAM PIN A1 MAPS
TO RAF PIN J6

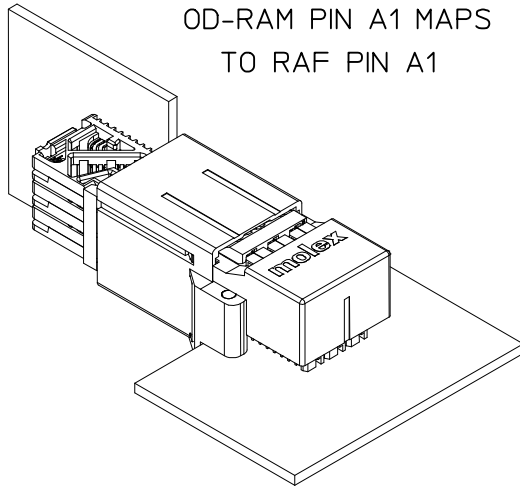
ORTHO PIN MAPPING					
OPTION 90 (NEAR SIDE - FAR SIDE)					
(A1-J6)	A2-H6	(A3-F6)	A4-E6	(A5-C6)	A6-B6
B1-J5	B2-G6	B3-F5	B4-D6	B5-C5	B6-A6
C1-H5	(C2-G5)	C3-E5	(C4-D5)	C5-B5	(C6-A5)
(D1-J4)	D2-H4	(D3-F4)	D4-E4	(D5-C4)	D6-B4
E1-J3	E2-G4	E3-F3	E4-D4	E5-C3	E6-A4
F1-H3	(F2-G3)	F3-E3	(F4-D3)	F5-B3	(F6-A3)
(G1-J2)	G2-H2	(G3-F2)	G4-E2	(G5-C2)	G6-B2
H1-J1	H2-G2	H3-F1	H4-D2	H5-C1	H6-A2
J1-H1	(J2-G1)	J3-E1	(J4-D1)	J5-B1	(J6-A1)

NOTE: PINOUTS SHOWN IN BALLOONS ARE GROUNDS.
GROUND PATHS ARE NOT DISCRETE CIRCUITS.

MATERIAL NUMBER	# OF COLUMNS	# OF DIFF PAIR	MATE POSITION	DIM P	PTH ϕ
171573-1614	6	18	90	4.90	0.46±0.05
171573-1615	6	18	90	5.50	0.46±0.05
171573-1617	6	18	90	4.90	0.39±0.05
171573-1618	6	18	90	5.50	0.39±0.05

SEE SHEET 1 EC NO: UCP2015-5544 DRWN: B. MILLER 2016/10/07 CHKD: APPR: TELO 2016/10/10	QUALITY SYMBOLS ▽=0 ▽=0	GENERAL TOLERANCES (UNLESS SPECIFIED)		DIMENSION STYLE MM ONLY	SCALE 2:1	DESIGN UNITS METRIC	THIRD ANGLE PROJECTION	
				DRAWN BY JMENDOZA	DATE 2012/08/20	TITLE IMPACT ORTHOGONAL DIRECT 3 PAIR RAM 90 & 270 ASSY UNGUIDED SALES DRAWING		
				CHECKED BY TELO	DATE 2012/08/20			
				APPROVED BY TELO		DATE 2013/12/26	MATERIAL NO. DOCUMENT NO. SD-171573-0001	
		ANGULAR ±1/2°		SEE CHART		SHEET NO. 3 OF 4		
		DRAFT WHERE APPLICABLE MUST REMAIN WITHIN DIMENSIONS		THIS DRAWING CONTAINS INFORMATION THAT IS PROPRIETARY TO MOLEX INCORPORATED AND SHOULD NOT BE USED WITHOUT WRITTEN PERMISSION				

ORTHO POSITION 270°
OD-RAM PIN A1 MAPS
TO RAF PIN A1

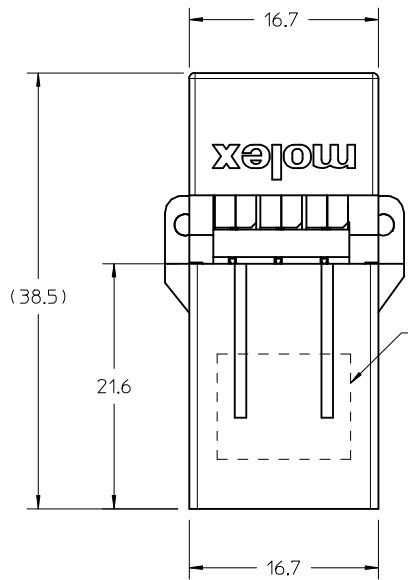


ORTHO PIN MAPPING					
OPTION 270 (NEAR SIDE - FAR SIDE)					
(A1-A1)	A2-B1	(A3-D1)	A4-E1	(A5-G1)	A6-H1
B1-A2	B2-C1	B3-D2	B4-F1	B5-G2	B6-J1
C1-B2	(C2-C2)	C3-E2	(C4-F2)	C5-H2	(C6-J2)
(D1-A3)	D2-B3	(D3-D3)	D4-E3	(D5-G3)	D6-H3
E1-A4	E2-C3	E3-D4	E4-F3	E5-G4	E6-J3
F1-B4	(F2-C4)	F3-E4	(F4-F4)	F5-H4	(F6-J4)
(G1-A5)	G2-B5	(G3-D5)	G4-E5	(G5-G5)	G6-H5
H1-A6	H2-C5	H3-D6	H4-F5	H5-G6	H6-J5
J1-B6	(J2-C6)	J3-E6	(J4-F6)	J5-H6	(J6-J6)

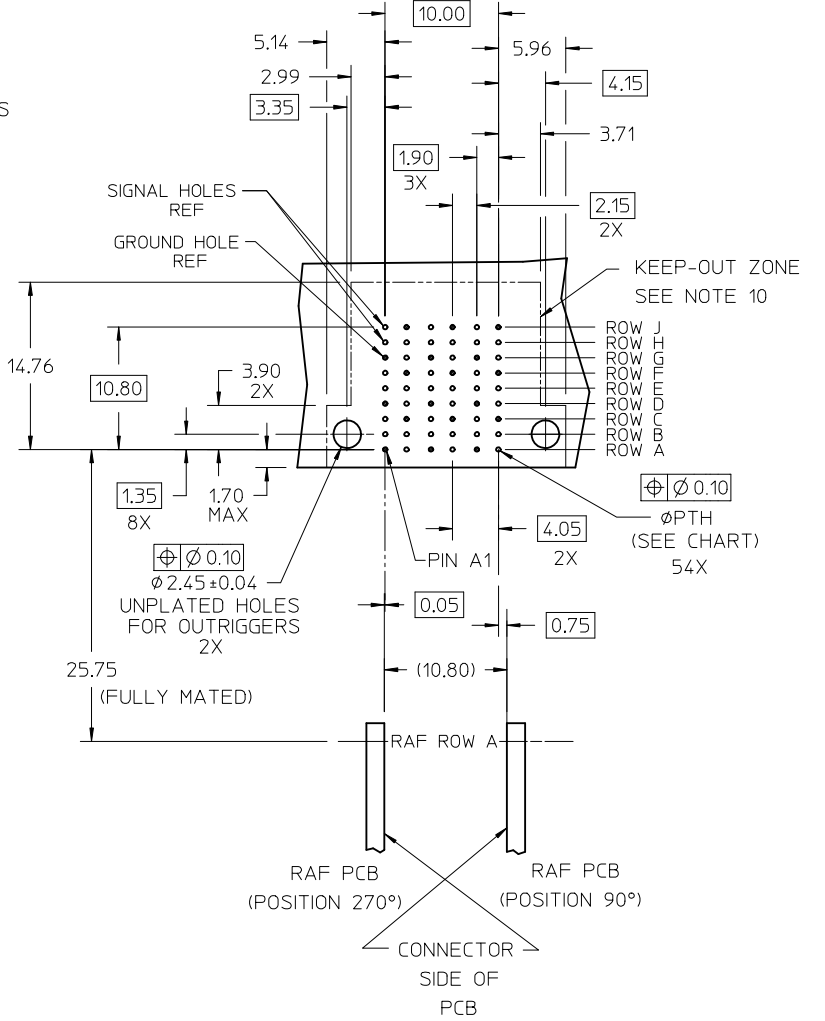
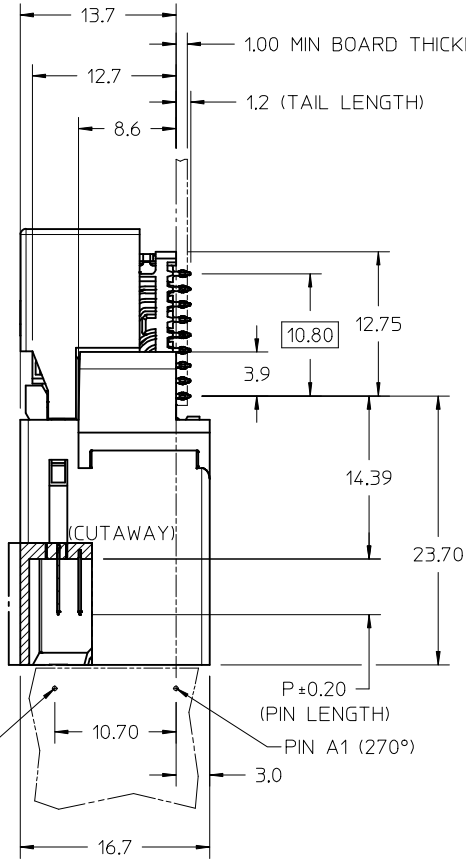
NOTE: PINOUTS SHOWN IN BALLOONS ARE GROUNDS.
GROUND PATHS ARE NOT DISCRETE CIRCUITS.

MATERIAL NUMBER	# OF COLUMNS	# OF DIFF PAIR	MATE POSITION	DIM P	PTH ϕ
171573-1634	6	18	270	4.90	0.46±0.05
171573-1635	6	18	270	5.50	0.46±0.05
171573-1637	6	18	270	4.90	0.39±0.05
171573-1638	6	18	270	5.50	0.39±0.05

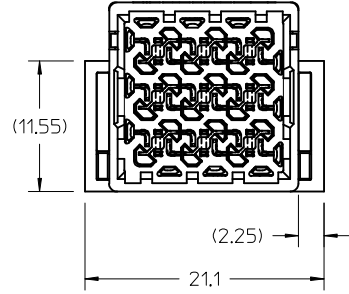
SEE SHEET 1 EC NO: UCP2015-5544 DRAWN: MILLER 2016/10/07 CHKD: APPR: TELO 2016/10/10	QUALITY SYMBOLS	GENERAL TOLERANCES (UNLESS SPECIFIED)	DIMENSION STYLE	SCALE	DESIGN UNITS	THIRD ANGLE PROJECTION
	▽=0	mm INCH	MM ONLY	2:1	METRIC	
	▽=0	4 PLACES ± --- ± ---	DRAWN BY DATE	TITLE		
	▽=0	3 PLACES ± --- ± ---	JMENDOZA 2012/08/20	IMPACT ORTHOGONAL DIRECT		
	2 PLACES ± 0.13 ± ---	CHECKED BY DATE	3 PAIR RAM 90 & 270 ASSY			
	1 PLACE ± 0.25 ± ---	TELO 2012/08/20	UNGUIDED SALES DRAWING			
	0 PLACE ± ±	APPROVED BY DATE	molex			
	ANGULAR ±1/2°	TELO 2013/12/26	MATERIAL NO.	DOCUMENT NO.	SHEET NO.	
	DRAFT WHERE APPLICABLE MUST REMAIN WITHIN DIMENSIONS		SEE CHART	SD-171573-0001	4 OF 4	
			THIS DRAWING CONTAINS INFORMATION THAT IS PROPRIETARY TO MOLEX INCORPORATED AND SHOULD NOT BE USED WITHOUT WRITTEN PERMISSION			



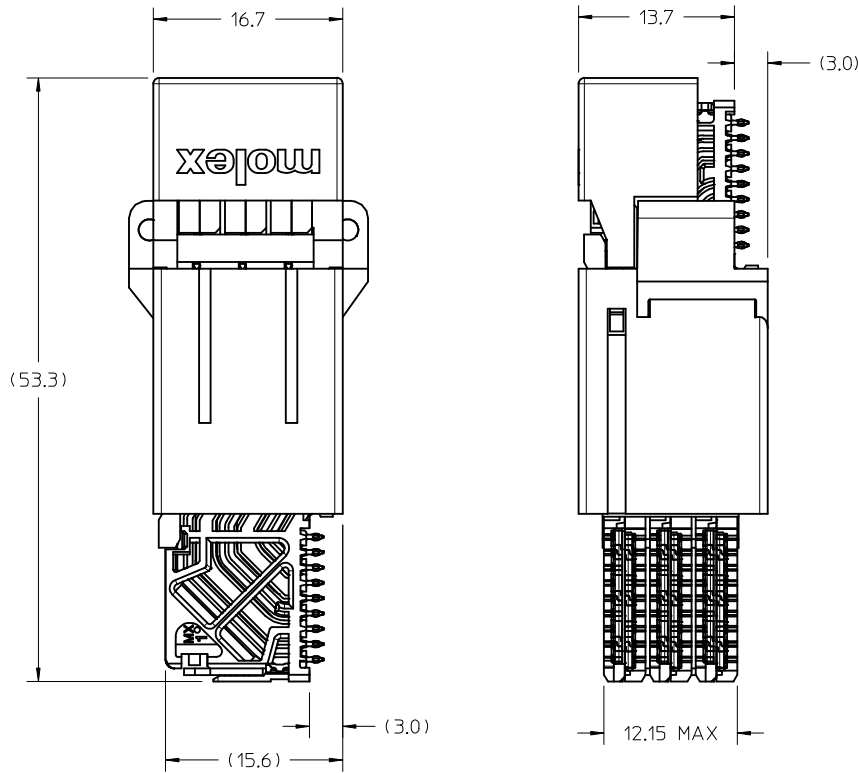
SEE NOTE 11



OD-RAM HOLE PATTERN
(CONNECTOR SIDE)



2ND GATE AND OUTRIGGERS EC NO: UCP2015-5544 DRAWN BY: MILLER 2016/10/07 CHKD: TELLO APPR: TELLO 2016/10/10	QUALITY SYMBOLS ▽=0 ▽=0	GENERAL TOLERANCES (UNLESS SPECIFIED) <table border="1"> <tr> <th></th> <th>mm</th> <th>INCH</th> </tr> <tr> <td>4 PLACES</td> <td>± 0.15</td> <td>± 0.006</td> </tr> <tr> <td>3 PLACES</td> <td>± 0.20</td> <td>± 0.008</td> </tr> <tr> <td>2 PLACES</td> <td>± 0.30</td> <td>± 0.012</td> </tr> <tr> <td>1 PLACE</td> <td>± 0.50</td> <td>± 0.020</td> </tr> </table>		mm	INCH	4 PLACES	± 0.15	± 0.006	3 PLACES	± 0.20	± 0.008	2 PLACES	± 0.30	± 0.012	1 PLACE	± 0.50	± 0.020	DIMENSION STYLE MM ONLY	SCALE 3:1	DESIGN UNITS METRIC	THIRD ANGLE PROJECTION
		mm	INCH																		
	4 PLACES	± 0.15	± 0.006																		
	3 PLACES	± 0.20	± 0.008																		
2 PLACES	± 0.30	± 0.012																			
1 PLACE	± 0.50	± 0.020																			
DRAFT WHERE APPLICABLE MUST REMAIN WITHIN DIMENSIONS	MATERIAL NO. SEE CHART	DRAWN BY JMENDOZA	DATE 2012/08/20	CHECKED BY TELLO	DATE 2012/08/20	TITLE IMPACT ORTHOGONAL DIRECT 3 PAIR RAM 90 & 270 ASSY UNGUIDED SALES DRAWING															
SIZE C	DOCUMENT NO. SD-171573-0001	APPROVED BY TELLO	DATE 2013/12/26	MOLEX INCORPORATED	SHEET NO. 1 OF 4	THIS DRAWING CONTAINS INFORMATION THAT IS PROPRIETARY TO MOLEX INCORPORATED AND SHOULD NOT BE USED WITHOUT WRITTEN PERMISSION															



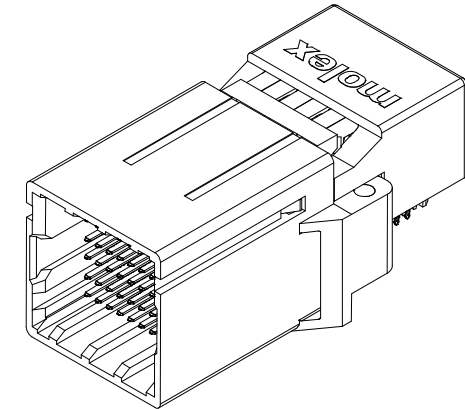
171573-16**

MODULE TYPE
1 = UNGUIDED, TIN

OF COLUMNS
6 = 6 COLUMN

PIN LENGTH (P)
4 = 4.90 (0.46 PTH)
5 = 5.50 (0.46 PTH)
7 = 4.90 (0.39 PTH)
8 = 5.50 (0.39 PTH)

MATE POSITION
1 = 90 DEGREE
3 = 270 DEGREE



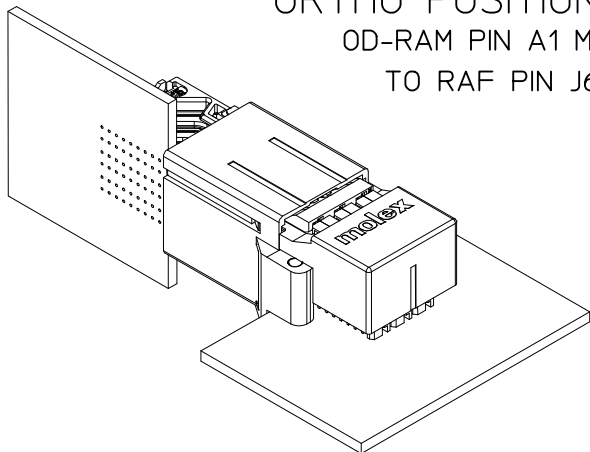
UNGUIDED OD-RAM

MATED DIMENSIONS
(POSITION 90° SHOWN)

NOTES:

- MATERIALS: HOUSING - LIQUID CRYSTAL POLYMER (LCP)
GLASS-FILLED, UL94V-0
TERMINALS - HIGH PERFORMANCE COPPER ALLOY
- FINISH: 30μ MIN GOLD IN CONTACT AREA.
SELECTIVE TIN ON PCB TAILS.
NICKEL OVERALL.
- REFER TO MOLEX PRODUCT SPECIFICATION PS-76060-999
FOR PERFORMANCE SPECIFICATIONS AND ADDITIONAL PCB INFORMATION.
- THIS PART CONFORMS TO CLASS B REQUIREMENTS OF
COSMETIC SPEC PS-45499-002.
- PACKAGE PER: PK-70873-8018.
- SEE SHEETS 3 FOR ORTHOGONAL PIN MAPPING.
- REFER TO MOLEX SALES DRAWING SD-76860-001 FOR
THE MATING RECEPTACLES.
- REFER TO MOLEX ROUTING GUIDE AS-76850-990 FOR ADDITIONAL PCB LAYOUT
AND ROUTING RECOMMENDATIONS.
- CONNECTORS ARE SUPPLIED WITH TWO 2-32 THREAD FORMING SCREWS.
- THESE DIMENSIONS REPRESENT THE AREA NEEDED TO ACCOMODATE CONNECTOR
INSERTION AND REPAIR ON THE PC BOARD. THIS IS REFERRED TO AS THE
"CONNECTOR KEEP OUT ZONE" AND DOES NOT REPRESENT THE ACTUAL PERIMETER
OF THE CONNECTOR.
- MARKING: LOCATED APPROXIMATELY AS SHOWN, ON BOTTOM OR TOP HOUSING.
PART NUMBER AND DATE CODE.

SEE SHEET 1 EC NO: UCP2015-5544 DRWNB: MILLER 2016/10/07 CHKD: APPR: TELO 2016/10/10 REV:	QUALITY SYMBOLS ▽=0 ▽=0	GENERAL TOLERANCES (UNLESS SPECIFIED)	DIMENSION STYLE MM ONLY	SCALE 3:1	DESIGN UNITS METRIC	THIRD ANGLE PROJECTION																											
		<table border="1"> <thead> <tr> <th></th> <th>mm</th> <th>INCH</th> </tr> </thead> <tbody> <tr> <td>4 PLACES</td> <td>± .13</td> <td>± .005</td> </tr> <tr> <td>3 PLACES</td> <td>± .13</td> <td>± .005</td> </tr> <tr> <td>2 PLACES</td> <td>± 0.13</td> <td>± .005</td> </tr> <tr> <td>1 PLACE</td> <td>± 0.25</td> <td>± .010</td> </tr> </tbody> </table>		mm	INCH	4 PLACES	± .13	± .005	3 PLACES	± .13	± .005	2 PLACES	± 0.13	± .005	1 PLACE	± 0.25	± .010	<table border="1"> <thead> <tr> <th>DRAWN BY</th> <th>DATE</th> </tr> </thead> <tbody> <tr> <td>JMENDOZA</td> <td>2012/08/20</td> </tr> <tr> <th>CHECKED BY</th> <th>DATE</th> </tr> <tr> <td>TELO</td> <td>2012/08/20</td> </tr> <tr> <th>APPROVED BY</th> <th>DATE</th> </tr> <tr> <td>TELO</td> <td>2013/12/26</td> </tr> </tbody> </table>	DRAWN BY	DATE	JMENDOZA	2012/08/20	CHECKED BY	DATE	TELO	2012/08/20	APPROVED BY	DATE	TELO	2013/12/26	TITLE IMPACT ORTHOGONAL DIRECT 3 PAIR RAM 90 & 270 ASSY UNGUIDED SALES DRAWING		
		mm	INCH																														
	4 PLACES	± .13	± .005																														
3 PLACES	± .13	± .005																															
2 PLACES	± 0.13	± .005																															
1 PLACE	± 0.25	± .010																															
DRAWN BY	DATE																																
JMENDOZA	2012/08/20																																
CHECKED BY	DATE																																
TELO	2012/08/20																																
APPROVED BY	DATE																																
TELO	2013/12/26																																
	DRAFT WHERE APPLICABLE MUST REMAIN WITHIN DIMENSIONS	MATERIAL NO. SEE CHART	DOCUMENT NO. SD-171573-0001	SHEET NO. 2 OF 4																													
		SIZE THIS DRAWING CONTAINS INFORMATION THAT IS PROPRIETARY TO MOLEX INCORPORATED AND SHOULD NOT BE USED WITHOUT WRITTEN PERMISSION																															



ORTHO POSITION 90°
OD-RAM PIN A1 MAPS
TO RAF PIN J6

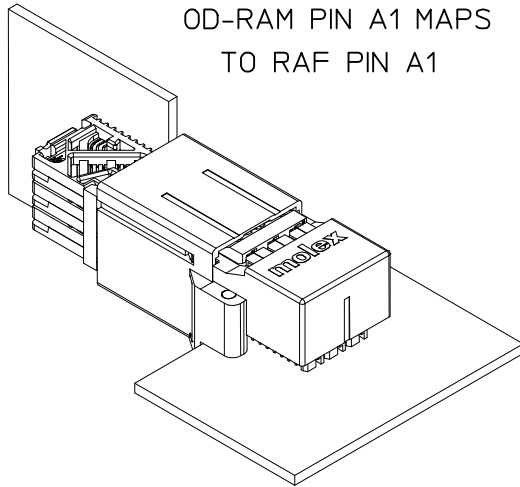
ORTHO PIN MAPPING					
OPTION 90 (NEARSIDE - FARSIDE)					
(A1-J6)	A2-H6	(A3-F6)	A4-E6	(A5-C6)	A6-B6
B1-J5	B2-G6	B3-F5	B4-D6	B5-C5	B6-A6
C1-H5	(C2-G5)	C3-E5	(C4-D5)	C5-B5	(C6-A5)
(D1-J4)	D2-H4	(D3-F4)	D4-E4	(D5-C4)	D6-B4
E1-J3	E2-G4	E3-F3	E4-D4	E5-C3	E6-A4
F1-H3	(F2-G3)	F3-E3	(F4-D3)	F5-B3	(F6-A3)
(G1-J2)	G2-H2	(G3-F2)	G4-E2	(G5-C2)	G6-B2
H1-J1	H2-G2	H3-F1	H4-D2	H5-C1	H6-A2
J1-H1	(J2-G1)	J3-E1	(J4-D1)	J5-B1	(J6-A1)

NOTE: PINOUTS SHOWN IN BALLOONS ARE GROUNDS.
GROUND PATHS ARE NOT DISCRETE CIRCUITS.

MATERIAL NUMBER	# OF COLUMNS	# OF DIFF PAIR	MATE POSITION	DIM P	PTH ϕ
171573-1614	6	18	90	4.90	0.46±0.05
171573-1615	6	18	90	5.50	0.46±0.05
171573-1617	6	18	90	4.90	0.39±0.05
171573-1618	6	18	90	5.50	0.39±0.05

SEE SHEET 1 EC NO: UCP2015-5544 DRWN: B. MILLER 2016/10/07 CHKD: APPR: TELO 2016/10/10	QUALITY SYMBOLS ▽=0 ▽=0	GENERAL TOLERANCES (UNLESS SPECIFIED)		DIMENSION STYLE MM ONLY	SCALE 2:1	DESIGN UNITS METRIC	THIRD ANGLE PROJECTION	
				DRAWN BY JMENDOZA	DATE 2012/08/20	TITLE IMPACT ORTHOGONAL DIRECT 3 PAIR RAM 90 & 270 ASSY UNGUIDED SALES DRAWING		
				CHECKED BY TELO	DATE 2012/08/20			
				APPROVED BY TELO		DATE 2013/12/26	MATERIAL NO. DOCUMENT NO. SD-171573-0001	
		ANGULAR $\pm 1/2^\circ$		SEE CHART		SHEET NO. 3 OF 4		
		DRAFT WHERE APPLICABLE MUST REMAIN WITHIN DIMENSIONS		THIS DRAWING CONTAINS INFORMATION THAT IS PROPRIETARY TO MOLEX INCORPORATED AND SHOULD NOT BE USED WITHOUT WRITTEN PERMISSION				

ORTHO POSITION 270°
OD-RAM PIN A1 MAPS
TO RAF PIN A1



ORTHO PIN MAPPING					
OPTION 270 (NEAR SIDE - FAR SIDE)					
(A1-A1)	A2-B1	(A3-D1)	A4-E1	(A5-G1)	A6-H1
B1-A2	B2-C1	B3-D2	B4-F1	B5-G2	B6-J1
C1-B2	(C2-C2)	C3-E2	(C4-F2)	C5-H2	(C6-J2)
(D1-A3)	D2-B3	(D3-D3)	D4-E3	(D5-G3)	D6-H3
E1-A4	E2-C3	E3-D4	E4-F3	E5-G4	E6-J3
F1-B4	(F2-C4)	F3-E4	(F4-F4)	F5-H4	(F6-J4)
(G1-A5)	G2-B5	(G3-D5)	G4-E5	(G5-G5)	G6-H5
H1-A6	H2-C5	H3-D6	H4-F5	H5-G6	H6-J5
J1-B6	(J2-C6)	J3-E6	(J4-F6)	J5-H6	(J6-J6)

NOTE: PINOUTS SHOWN IN BALLOONS ARE GROUNDS.
GROUND PATHS ARE NOT DISCRETE CIRCUITS.

MATERIAL NUMBER	# OF COLUMNS	# OF DIFF PAIR	MATE POSITION	DIM P	PTH ϕ
171573-1634	6	18	270	4.90	0.46±0.05
171573-1635	6	18	270	5.50	0.46±0.05
171573-1637	6	18	270	4.90	0.39±0.05
171573-1638	6	18	270	5.50	0.39±0.05

SEE SHEET 1 EC NO: UCP2015-5544 DRAWN: MILLER 2016/10/07 CHKD: APPR: TELO 2016/10/10	QUALITY SYMBOLS	GENERAL TOLERANCES (UNLESS SPECIFIED)	DIMENSION STYLE MM ONLY	SCALE 2:1	DESIGN UNITS METRIC	THIRD ANGLE PROJECTION
	▽=0	mm INCH	DRAWN BY DATE JMENDOZA 2012/08/20	TITLE IMPACT ORTHOGONAL DIRECT 3 PAIR RAM 90 & 270 ASSY UNGUIDED SALES DRAWING		
	▽=0	4 PLACES ± --- ± ---	CHECKED BY DATE TELO 2012/08/20	molex		
	▽=0	3 PLACES ± --- ± ---	APPROVED BY DATE TELO 2013/12/26			
	2 PLACES ± 0.13 ± ---	MATERIAL NO.		DOCUMENT NO.	SHEET NO.	
	1 PLACE ± 0.25 ± ---	SEE CHART		SD-171573-0001	4 OF 4	
	0 PLACE ± ±	DRAFT WHERE APPLICABLE MUST REMAIN WITHIN DIMENSIONS		THIS DRAWING CONTAINS INFORMATION THAT IS PROPRIETARY TO MOLEX INCORPORATED AND SHOULD NOT BE USED WITHOUT WRITTEN PERMISSION		