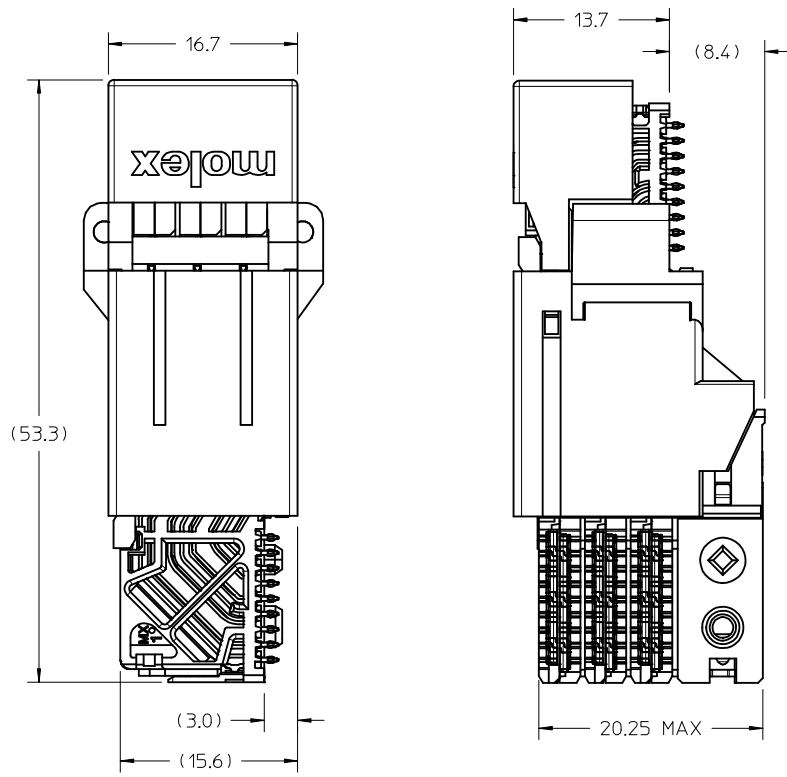


OD-RAM HOLE PATTERN
(CONNECTOR SIDE)

| | | | | | | | | | |
|---|-------------------------------|--|--|-----------------------------------|------|--|-------------------------------|---|--|
| 2ND GATE AND OUTRIGGERS EC NO: UCP2015-5544 DRAWN BY: JIMILLER 2016/10/07 CHKD: TELO APPR: TELO 2016/10/10 | QUALITY SYMBOLS ▽=0 ▽=0 | GENERAL TOLERANCES (UNLESS SPECIFIED) | | DIMENSION STYLE MM ONLY | | SCALE 3:1 | DESIGN UNITS METRIC | THIRD ANGLE PROJECTION | |
| | | | | mm | INCH | DRAWN BY JMENDOZA | DATE 2012/12/14 | IMPACT ORTHOGONAL DIRECT 3 PAIR RAM 90 & 270 ASSY BOTTOM GUIDED SALES DWG MOLEX INCORPORATED | |
| | | 4 PLACES ± --- ± --- | | | | CHECKED BY TELO | DATE 2012/12/14 | | |
| | | 3 PLACES ± --- ± --- | | | | APPROVED BY TELO | DATE 2013/12/26 | | |
| 2 PLACES ± 0.13 ± --- | | ANGULAR ± 1/2° | | MATERIAL NO. SEE CHART | | DOCUMENT NO. SD-171573-0003 | SHEET NO. 1 OF 4 | | |
| 1 PLACE ± 0.25 ± --- | | DRAFT WHERE APPLICABLE MUST REMAIN WITHIN DIMENSIONS | | SIZE C | | THIS DRAWING CONTAINS INFORMATION THAT IS PROPRIETARY TO MOLEX INCORPORATED AND SHOULD NOT BE USED WITHOUT WRITTEN PERMISSION | | | |



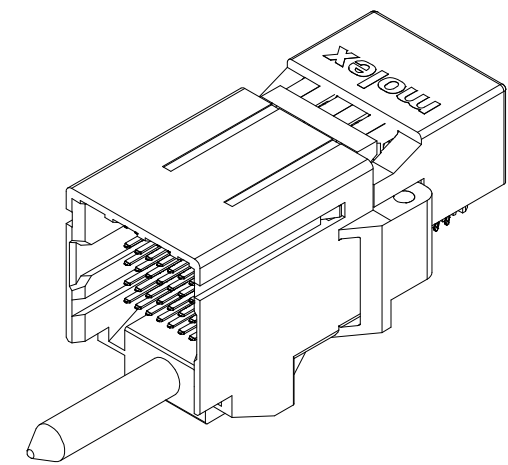
171573-96**

MODULE TYPE ——— 9 = BOTTOM GUIDED, TIN

OF COLUMNS ——— 6 = 6 COLUMN

PIN LENGTH (P)
 4 = 4.90 (0.46 PTH)
 5 = 5.50 (0.46 PTH)
 7 = 4.90 (0.39 PTH)
 8 = 5.50 (0.39 PTH)

MATE POSITION
 0 = 90 DEGREE
 3 = 270 DEGREE

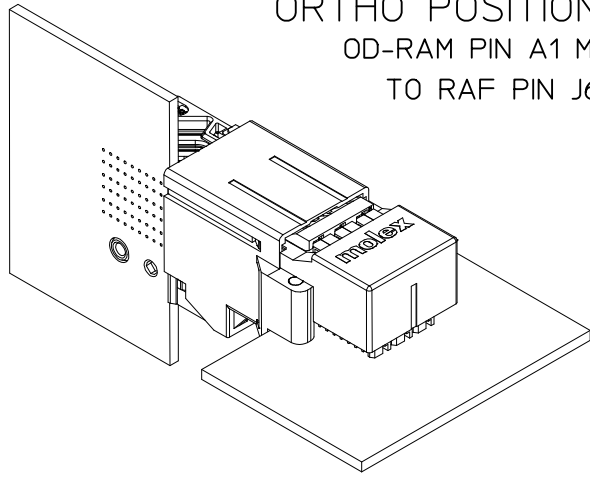


MATED DIMENSIONS
(POSITION 90° SHOWN)

- NOTES:
- MATERIALS: HOUSING - LIQUID CRYSTAL POLYMER (LCP)
GLASS-FILLED, UL94V-0
TERMINALS - HIGH PERFORMANCE COPPER ALLOY
 - FINISH: 30μ MIN GOLD IN CONTACT AREA.
SELECTIVE TIN ON PCB TAILS.
NICKEL OVERALL.
 - REFER TO MOLEX PRODUCT SPECIFICATION PS-76060-999 FOR PERFORMANCE SPECIFICATIONS AND ADDITIONAL PCB INFORMATION.
 - THIS PART CONFORMS TO CLASS B REQUIREMENTS OF COSMETIC SPEC PS-45499-002.
 - PACKAGE PER: PK-70873-8019.
 - SEE SHEETS 3 FOR ORTHOGONAL PIN MAPPING.
 - REFER TO SHEET 3 AND 4 FOR THE MATING RECEPTACLES.
 - REFER TO MOLEX ROUTING GUIDE AS-76850-990 FOR ADDITIONAL PCB LAYOUT AND ROUTING RECOMMENDATIONS.
 - CONNECTORS ARE SUPPLIED WITH TWO 2-32 THREAD FORMING SCREWS.
 - THESE DIMENSIONS REPRESENT THE AREA NEEDED TO ACCOMODATE CONNECTOR INSERTION AND REPAIR ON THE PC BOARD. THIS IS REFERRED TO AS THE "CONNECTOR KEEP OUT ZONE" AND DOES NOT REPRESENT THE ACTUAL PERIMETER OF THE CONNECTOR.
 - MARKING: LOCATED APPROXIMATELY AS SHOWN, ON BOTTOM OR TOP HOUSING. PART NUMBER AND DATE CODE.

| | | | | | | | |
|---|-----------------|---|---|--|--------------------------------|------------------------|--|
| SEE SHEET 1 EC NO: UCP2015-5544 DRWNB/JMILLER 2016/10/07 CHKD: APPR:TELO 2016/10/10 | QUALITY SYMBOLS | GENERAL TOLERANCES (UNLESS SPECIFIED) | DIMENSION STYLE | SCALE | DESIGN UNITS | THIRD ANGLE PROJECTION | |
| | ▽=0 ▽=0 | mm INCH | MM ONLY | 3:1 | METRIC | | |
| | | 4 PLACES ± --- ± --- 3 PLACES ± --- ± --- 2 PLACES ± 0.13 ± --- 1 PLACE ± 0.25 ± --- | DRAWN BY DATE JMENDOZA 2012/12/14 CHECKED BY DATE TELO 2012/12/14 APPROVED BY DATE TELO 2013/12/26 | TITLE IMPACT ORTHOGONAL DIRECT 3 PAIR RAM 90 & 270 ASSY BOTTOM GUIDED SALES DWG | | | |
| | | ANGULAR ± 1/2° | MATERIAL NO. TELO | SIZE SEE CHART | DOCUMENT NO. SD-171573-0003 | SHEET NO. 2 OF 4 | |
| | | DRAFT WHERE APPLICABLE MUST REMAIN WITHIN DIMENSIONS | THIS DRAWING CONTAINS INFORMATION THAT IS PROPRIETARY TO MOLEX INCORPORATED AND SHOULD NOT BE USED WITHOUT WRITTEN PERMISSION | | | | |

ORTHO POSITION 90°
OD-RAM PIN A1 MAPS
TO RAF PIN J6



REFER TO MOLEX SALES DRAWING SD-76860-004
FOR MATING RECEPTACLES.

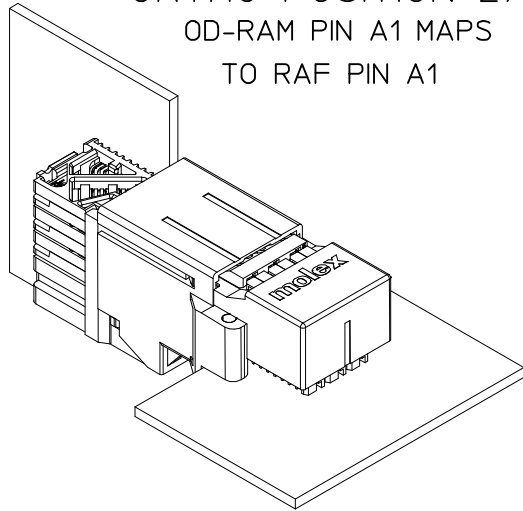
| ORTHO PIN MAPPING | | | | | |
|--------------------------------|---------|---------|---------|---------|---------|
| OPTION 90 (NEARSIDE - FARSIDE) | | | | | |
| (A1-J6) | A2-H6 | (A3-F6) | A4-E6 | (A5-C6) | A6-B6 |
| B1-J5 | B2-G6 | B3-F5 | B4-D6 | B5-C5 | B6-A6 |
| C1-H5 | (C2-G5) | C3-E5 | (C4-D5) | C5-B5 | (C6-A5) |
| (D1-J4) | D2-H4 | (D3-F4) | D4-E4 | (D5-C4) | D6-B4 |
| E1-J3 | E2-G4 | E3-F3 | E4-D4 | E5-C3 | E6-A4 |
| F1-H3 | (F2-G3) | F3-E3 | (F4-D3) | F5-B3 | (F6-A3) |
| (G1-J2) | G2-H2 | (G3-F2) | G4-E2 | (G5-C2) | G6-B2 |
| H1-J1 | H2-G2 | H3-F1 | H4-D2 | H5-C1 | H6-A2 |
| J1-H1 | (J2-G1) | J3-E1 | (J4-D1) | J5-B1 | (J6-A1) |

NOTE: PINOUTS SHOWN IN BALLOONS ARE GROUNDS.
GROUND PATHS ARE NOT DISCRETE CIRCUITS.

| MATERIAL NUMBER | # OF COLUMNS | # OF DIFF PAIR | MATE POSITION | DIM P | PTH ϕ |
|-----------------|--------------|----------------|---------------|-------|------------|
| 171573-9604 | 6 | 18 | 90 | 4.90 | 0.46+0.05 |
| 171573-9605 | 6 | 18 | 90 | 5.50 | 0.46+0.05 |
| 171573-9607 | 6 | 18 | 90 | 4.90 | 0.39+0.05 |
| 171573-9608 | 6 | 18 | 90 | 5.50 | 0.39+0.05 |

| SEE SHEET 1 EC NO: UCP2015-5544 DRWN: B. MILLER 2016/10/07 CHKD: APPR: TELO 2016/10/10 | QUALITY SYMBOLS ▽=0 ▽=0 | GENERAL TOLERANCES (UNLESS SPECIFIED) | DIMENSION STYLE MM ONLY | SCALE 2:1 | DESIGN UNITS METRIC | THIRD ANGLE PROJECTION | | | | | | | | | | | | | | | |
|---|----------------------------------|---|-----------------------------------|---------------------|-------------------------------|------------------------|-------|-------|----------|-------|-------|----------|--------|-------|---------|--------|-------|---|---|--|--|
| | | <table border="1"> <tr> <th></th> <th>mm</th> <th>INCH</th> </tr> <tr> <td>4 PLACES</td> <td>± ---</td> <td>± ---</td> </tr> <tr> <td>3 PLACES</td> <td>± ---</td> <td>± ---</td> </tr> <tr> <td>2 PLACES</td> <td>± 0.13</td> <td>± ---</td> </tr> <tr> <td>1 PLACE</td> <td>± 0.25</td> <td>± ---</td> </tr> </table> | | mm | INCH | 4 PLACES | ± --- | ± --- | 3 PLACES | ± --- | ± --- | 2 PLACES | ± 0.13 | ± --- | 1 PLACE | ± 0.25 | ± --- | DRAWN BY: JMENDOZA DATE: 2012/12/14 CHECKED BY: TELO DATE: 2012/12/14 APPROVED BY: TELO DATE: 2013/12/26 | TITLE IMPACT ORTHOGONAL DIRECT 3 PAIR RAM 90 & 270 ASSY BOTTOM GUIDED SALES DWG | | |
| | | | mm | INCH | | | | | | | | | | | | | | | | | |
| | | 4 PLACES | ± --- | ± --- | | | | | | | | | | | | | | | | | |
| 3 PLACES | ± --- | ± --- | | | | | | | | | | | | | | | | | | | |
| 2 PLACES | ± 0.13 | ± --- | | | | | | | | | | | | | | | | | | | |
| 1 PLACE | ± 0.25 | ± --- | | | | | | | | | | | | | | | | | | | |
| ANGULAR ±1/2° DRAFT WHERE APPLICABLE MUST REMAIN WITHIN DIMENSIONS | MATERIAL NO. SEE CHART | DOCUMENT NO. SD-171573-0003 | SHEET NO. 3 OF 4 | | | | | | | | | | | | | | | | | | |
| THIS DRAWING CONTAINS INFORMATION THAT IS PROPRIETARY TO MOLEX INCORPORATED AND SHOULD NOT BE USED WITHOUT WRITTEN PERMISSION | | | | | | | | | | | | | | | | | | | | | |

ORTHO POSITION 270°
OD-RAM PIN A1 MAPS
TO RAF PIN A1



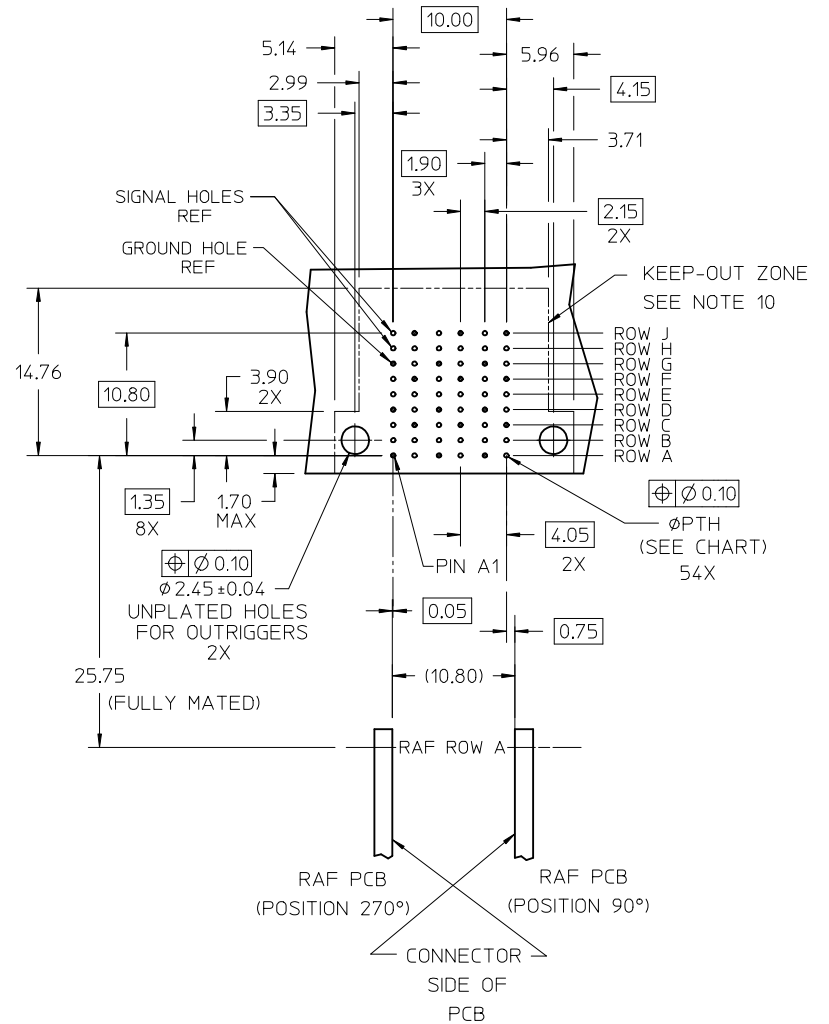
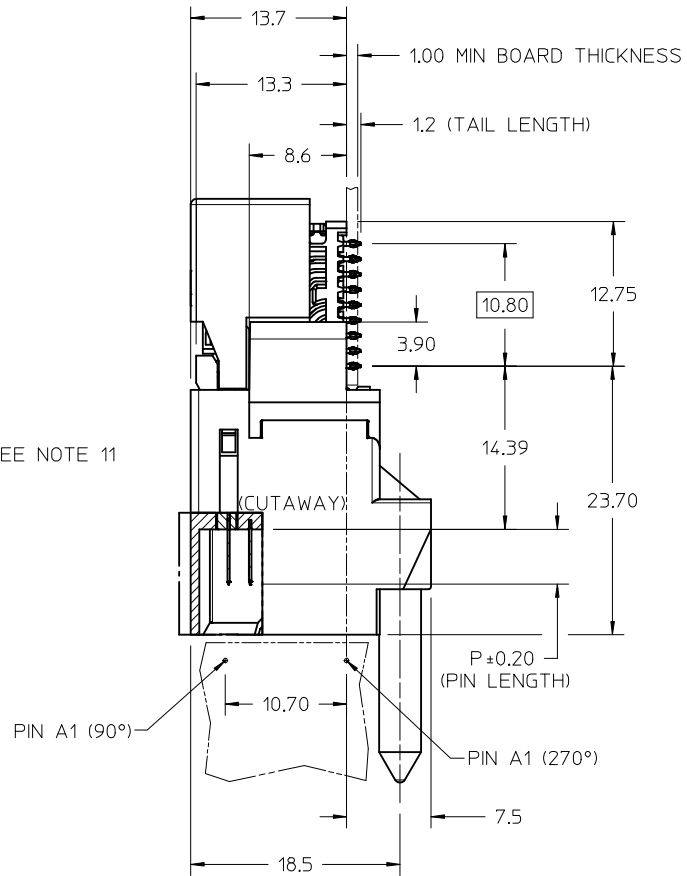
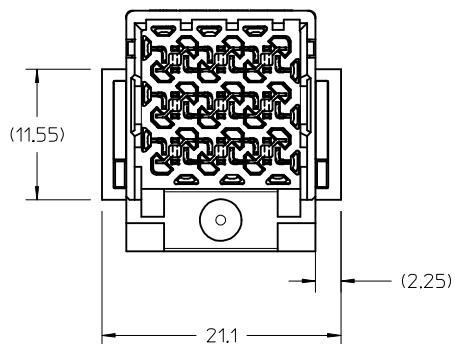
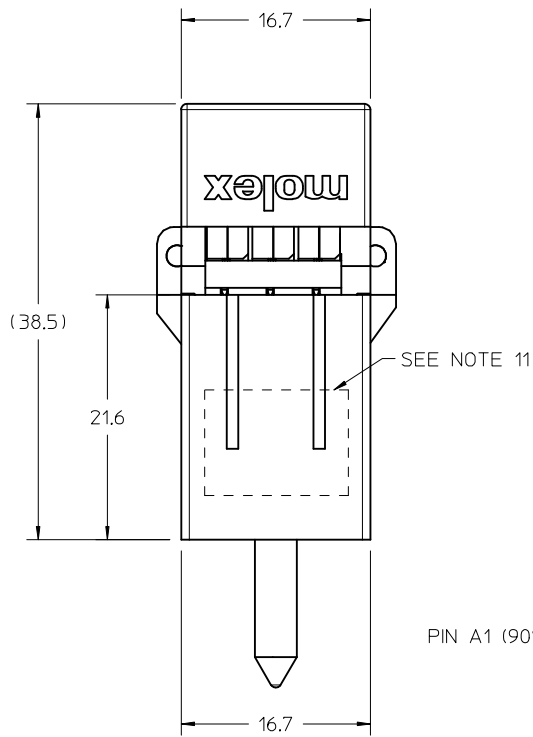
REFER TO MOLEX SALES DRAWING SD-76860-002
FOR MATING RECEPTACLES.

| ORTHO PIN MAPPING | | | | | |
|-----------------------------------|---------|---------|---------|---------|---------|
| OPTION 270 (NEAR SIDE - FAR SIDE) | | | | | |
| (A1-A1) | A2-B1 | (A3-D1) | A4-E1 | (A5-G1) | A6-H1 |
| B1-A2 | B2-C1 | B3-D2 | B4-F1 | B5-G2 | B6-J1 |
| C1-B2 | (C2-C2) | C3-E2 | (C4-F2) | C5-H2 | (C6-J2) |
| (D1-A3) | D2-B3 | (D3-D3) | D4-E3 | (D5-G3) | D6-H3 |
| E1-A4 | E2-C3 | E3-D4 | E4-F3 | E5-G4 | E6-J3 |
| F1-B4 | (F2-C4) | F3-E4 | (F4-F4) | F5-H4 | (F6-J4) |
| (G1-A5) | G2-B5 | (G3-D5) | G4-E5 | (G5-G5) | G6-H5 |
| H1-A6 | H2-C5 | H3-D6 | H4-F5 | H5-G6 | H6-J5 |
| J1-B6 | (J2-C6) | J3-E6 | (J4-F6) | J5-H6 | (J6-J6) |

NOTE: PINOUTS SHOWN IN BALLOONS ARE GROUNDS.
GROUND PATHS ARE NOT DISCRETE CIRCUITS.

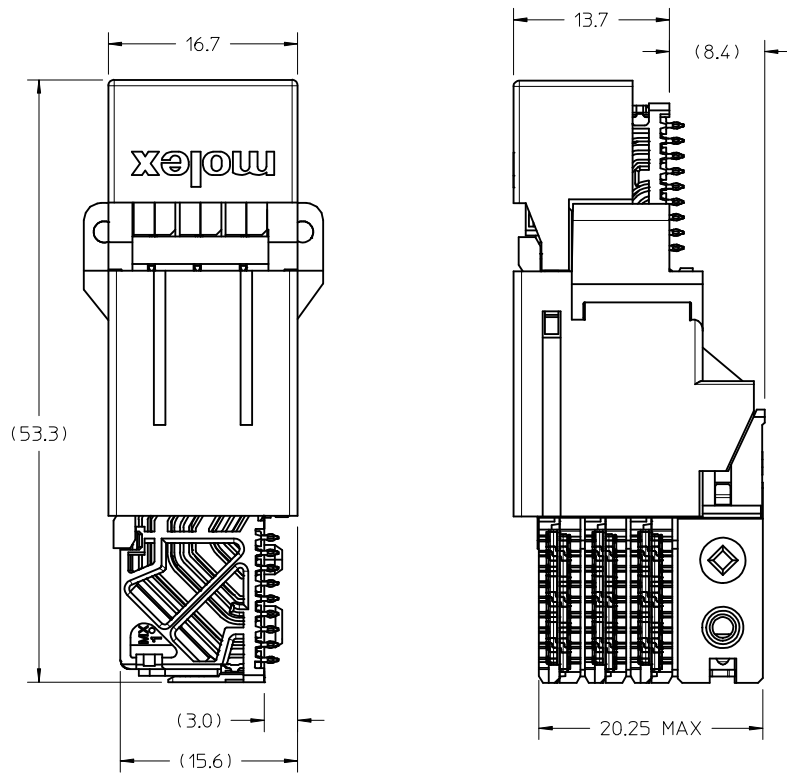
| MATERIAL NUMBER | # OF COLUMNS | # OF DIFF PAIR | MATE POSITION | DIM P | PTH ϕ |
|-----------------|--------------|----------------|---------------|-------|------------|
| 171573-9634 | 6 | 18 | 270 | 4.90 | 0.46±0.05 |
| 171573-9635 | 6 | 18 | 270 | 5.50 | 0.46±0.05 |
| 171573-9637 | 6 | 18 | 270 | 4.90 | 0.39±0.05 |
| 171573-9638 | 6 | 18 | 270 | 5.50 | 0.39±0.05 |

| | | | | | | |
|--|--|---|--------------------------|--------------------------|--------------|------------------------|
| SEE SHEET 1 EC NO: UCP2015-5544 DRAWN: MILLER 2016/10/07 CHKD: APPR: TELO 2016/10/10 | QUALITY SYMBOLS | GENERAL TOLERANCES (UNLESS SPECIFIED) | DIMENSION STYLE | SCALE | DESIGN UNITS | THIRD ANGLE PROJECTION |
| | ▽=0 | mm INCH | MM ONLY | 2:1 | METRIC | |
| | ▽=0 | 4 PLACES ± --- ± --- | DRAWN BY DATE | TITLE | | |
| | ▽=0 | 3 PLACES ± --- ± --- | JMENDOZA 2012/12/14 | IMPACT ORTHOGONAL DIRECT | | |
| | 2 PLACES ± 0.13 ± --- | CHECKED BY DATE | 3 PAIR RAM 90 & 270 ASSY | | | |
| | 1 PLACE ± 0.25 ± --- | TELO 2012/12/14 | BOTTOM GUIDED SALES DWG | | | |
| | 0 PLACE ± ± | APPROVED BY DATE | | | | |
| | | TELO 2013/12/26 | | | | |
| | ANGULAR ±1/2° | MATERIAL NO. | DOCUMENT NO. | | SHEET NO. | |
| | DRAFT WHERE APPLICABLE MUST REMAIN WITHIN DIMENSIONS | SEE CHART | SD-171573-0003 | | 4 OF 4 | |
| | | THIS DRAWING CONTAINS INFORMATION THAT IS PROPRIETARY TO MOLEX INCORPORATED AND SHOULD NOT BE USED WITHOUT WRITTEN PERMISSION | | | | |



OD-RAM HOLE PATTERN
(CONNECTOR SIDE)

| | | | | | | | | | |
|---|-------------------------------|---------------------------------------|-------|--|-------|--|-------------------------------|--|--|
| 2ND GATE AND OUTRIGGERS EC NO: UCP2015-5544 DRAWN BY: JIMILLER 2016/10/07 CHKD: TELO APPR: TELO 2016/10/10 | QUALITY SYMBOLS ▽=0 ▽=0 | GENERAL TOLERANCES (UNLESS SPECIFIED) | | DIMENSION STYLE MM ONLY | | SCALE 3:1 | DESIGN UNITS METRIC | THIRD ANGLE PROJECTION | |
| | | | | mm | INCH | DRAWN BY JMENDOZA | DATE 2012/12/14 | IMPACT ORTHOGONAL DIRECT 3 PAIR RAM 90 & 270 ASSY BOTTOM GUIDED SALES DWG | |
| | | | | 4 PLACES ± --- | ± --- | CHECKED BY TELO | DATE 2012/12/14 | | |
| | | | | 3 PLACES ± --- | ± --- | APPROVED BY TELO | DATE 2013/12/26 | MOLEX INCORPORATED | |
| | | 2 PLACES ± 0.13 | ± --- | MATERIAL NO. SEE CHART | | DOCUMENT NO. SD-171573-0003 | | SHEET NO. 1 OF 4 | |
| | | 1 PLACE ± 0.25 | ± --- | DRAFT WHERE APPLICABLE MUST REMAIN WITHIN DIMENSIONS | | THIS DRAWING CONTAINS INFORMATION THAT IS PROPRIETARY TO MOLEX INCORPORATED AND SHOULD NOT BE USED WITHOUT WRITTEN PERMISSION | | | |
| | | ANGULAR ± 1/2° | | | | | | | |



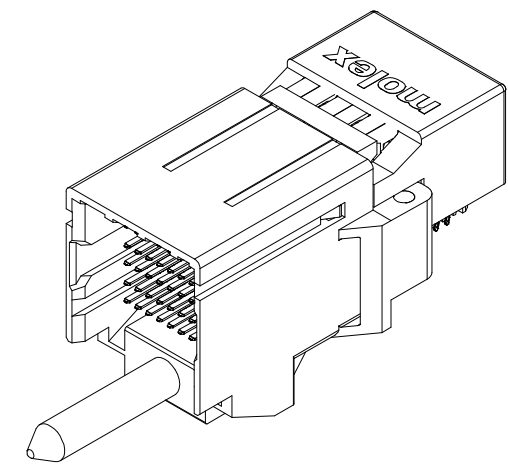
171573-96**

MODULE TYPE ——— 9 = BOTTOM GUIDED, TIN

OF COLUMNS ——— 6 = 6 COLUMN

PIN LENGTH (P)
 4 = 4.90 (0.46 PTH)
 5 = 5.50 (0.46 PTH)
 7 = 4.90 (0.39 PTH)
 8 = 5.50 (0.39 PTH)

MATE POSITION
 0 = 90 DEGREE
 3 = 270 DEGREE

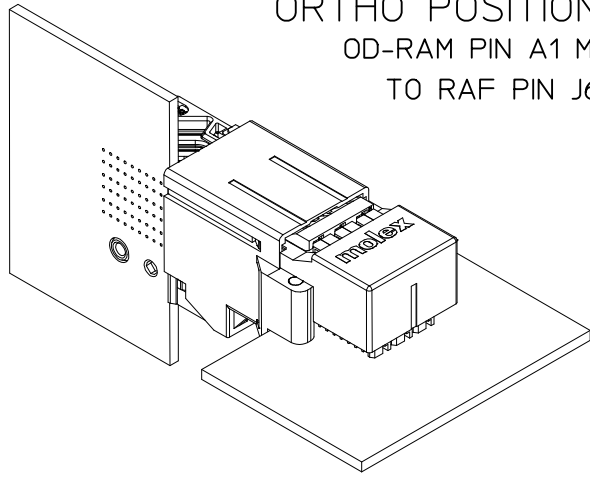


MATED DIMENSIONS
(POSITION 90° SHOWN)

- NOTES:
- MATERIALS: HOUSING - LIQUID CRYSTAL POLYMER (LCP)
GLASS-FILLED, UL94V-0
TERMINALS - HIGH PERFORMANCE COPPER ALLOY
 - FINISH: 30μ MIN GOLD IN CONTACT AREA.
SELECTIVE TIN ON PCB TAILS.
NICKEL OVERALL.
 - REFER TO MOLEX PRODUCT SPECIFICATION PS-76060-999 FOR PERFORMANCE SPECIFICATIONS AND ADDITIONAL PCB INFORMATION.
 - THIS PART CONFORMS TO CLASS B REQUIREMENTS OF COSMETIC SPEC PS-45499-002.
 - PACKAGE PER: PK-70873-8019.
 - SEE SHEETS 3 FOR ORTHOGONAL PIN MAPPING.
 - REFER TO SHEET 3 AND 4 FOR THE MATING RECEPTACLES.
 - REFER TO MOLEX ROUTING GUIDE AS-76850-990 FOR ADDITIONAL PCB LAYOUT AND ROUTING RECOMMENDATIONS.
 - CONNECTORS ARE SUPPLIED WITH TWO 2-32 THREAD FORMING SCREWS.
 - THESE DIMENSIONS REPRESENT THE AREA NEEDED TO ACCOMODATE CONNECTOR INSERTION AND REPAIR ON THE PC BOARD. THIS IS REFERRED TO AS THE "CONNECTOR KEEP OUT ZONE" AND DOES NOT REPRESENT THE ACTUAL PERIMETER OF THE CONNECTOR.
 - MARKING: LOCATED APPROXIMATELY AS SHOWN, ON BOTTOM OR TOP HOUSING. PART NUMBER AND DATE CODE.

| SEE SHEET 1 EC NO: UCP2015-5544 DRWNB/JMILLER 2016/10/07 CHKD: APPR:TELO 2016/10/10 | DESCRIPTION REV | QUALITY SYMBOLS | GENERAL TOLERANCES (UNLESS SPECIFIED) | DIMENSION STYLE MM ONLY | SCALE 3:1 | DESIGN UNITS METRIC | THIRD ANGLE PROJECTION | | | | | | | | | | | | | | | | | | | | | | | | | | |
|---|--------------------|----------------------------------|---|-----------------------------------|---------------------|-------------------------------|------------------------|------|------|----------|------|------|----------|-------|------|---------|-------|------|--|----------|------|----------|------------|------------|------|------|------------|-------------|------|------|------------|---|--|
| | | $\nabla=0$ $\nabla=0$ | <table border="1"> <thead> <tr> <th></th> <th>mm</th> <th>INCH</th> </tr> </thead> <tbody> <tr> <td>4 PLACES</td> <td>±---</td> <td>±---</td> </tr> <tr> <td>3 PLACES</td> <td>±---</td> <td>±---</td> </tr> <tr> <td>2 PLACES</td> <td>±0.13</td> <td>±---</td> </tr> <tr> <td>1 PLACE</td> <td>±0.25</td> <td>±---</td> </tr> </tbody> </table> | | mm | INCH | 4 PLACES | ±--- | ±--- | 3 PLACES | ±--- | ±--- | 2 PLACES | ±0.13 | ±--- | 1 PLACE | ±0.25 | ±--- | <table border="1"> <thead> <tr> <th>DRAWN BY</th> <th>DATE</th> </tr> </thead> <tbody> <tr> <td>JMENDOZA</td> <td>2012/12/14</td> </tr> <tr> <th>CHECKED BY</th> <th>DATE</th> </tr> <tr> <td>TELO</td> <td>2012/12/14</td> </tr> <tr> <th>APPROVED BY</th> <th>DATE</th> </tr> <tr> <td>TELO</td> <td>2013/12/26</td> </tr> </tbody> </table> | DRAWN BY | DATE | JMENDOZA | 2012/12/14 | CHECKED BY | DATE | TELO | 2012/12/14 | APPROVED BY | DATE | TELO | 2013/12/26 | TITLE IMPACT ORTHOGONAL DIRECT 3 PAIR RAM 90 & 270 ASSY BOTTOM GUIDED SALES DWG | MOLEX INCORPORATED DOCUMENT NO. SD-171573-0003 SHEET NO. 2 OF 4 |
| | | | mm | INCH | | | | | | | | | | | | | | | | | | | | | | | | | | | | | |
| | | 4 PLACES | ±--- | ±--- | | | | | | | | | | | | | | | | | | | | | | | | | | | | | |
| 3 PLACES | ±--- | ±--- | | | | | | | | | | | | | | | | | | | | | | | | | | | | | | | |
| 2 PLACES | ±0.13 | ±--- | | | | | | | | | | | | | | | | | | | | | | | | | | | | | | | |
| 1 PLACE | ±0.25 | ±--- | | | | | | | | | | | | | | | | | | | | | | | | | | | | | | | |
| DRAWN BY | DATE | | | | | | | | | | | | | | | | | | | | | | | | | | | | | | | | |
| JMENDOZA | 2012/12/14 | | | | | | | | | | | | | | | | | | | | | | | | | | | | | | | | |
| CHECKED BY | DATE | | | | | | | | | | | | | | | | | | | | | | | | | | | | | | | | |
| TELO | 2012/12/14 | | | | | | | | | | | | | | | | | | | | | | | | | | | | | | | | |
| APPROVED BY | DATE | | | | | | | | | | | | | | | | | | | | | | | | | | | | | | | | |
| TELO | 2013/12/26 | | | | | | | | | | | | | | | | | | | | | | | | | | | | | | | | |
| DRAFT WHERE APPLICABLE MUST REMAIN WITHIN DIMENSIONS | | MATERIAL NO. SEE CHART | THIS DRAWING CONTAINS INFORMATION THAT IS PROPRIETARY TO MOLEX INCORPORATED AND SHOULD NOT BE USED WITHOUT WRITTEN PERMISSION | | | | | | | | | | | | | | | | | | | | | | | | | | | | | | |
| | | SIZE | | | | | | | | | | | | | | | | | | | | | | | | | | | | | | | |
| | | | | | | | | | | | | | | | | | | | | | | | | | | | | | | | | | |

ORTHO POSITION 90°
OD-RAM PIN A1 MAPS
TO RAF PIN J6



REFER TO MOLEX SALES DRAWING SD-76860-004
FOR MATING RECEPTACLES.

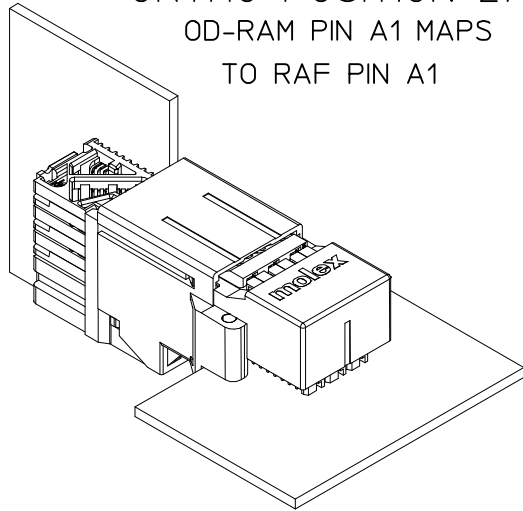
| ORTHO PIN MAPPING | | | | | |
|--------------------------------|---------|---------|---------|---------|---------|
| OPTION 90 (NEARSIDE - FARSIDE) | | | | | |
| (A1-J6) | A2-H6 | (A3-F6) | A4-E6 | (A5-C6) | A6-B6 |
| B1-J5 | B2-G6 | B3-F5 | B4-D6 | B5-C5 | B6-A6 |
| C1-H5 | (C2-G5) | C3-E5 | (C4-D5) | C5-B5 | (C6-A5) |
| (D1-J4) | D2-H4 | (D3-F4) | D4-E4 | (D5-C4) | D6-B4 |
| E1-J3 | E2-G4 | E3-F3 | E4-D4 | E5-C3 | E6-A4 |
| F1-H3 | (F2-G3) | F3-E3 | (F4-D3) | F5-B3 | (F6-A3) |
| (G1-J2) | G2-H2 | (G3-F2) | G4-E2 | (G5-C2) | G6-B2 |
| H1-J1 | H2-G2 | H3-F1 | H4-D2 | H5-C1 | H6-A2 |
| J1-H1 | (J2-G1) | J3-E1 | (J4-D1) | J5-B1 | (J6-A1) |

NOTE: PINOUTS SHOWN IN BALLOONS ARE GROUNDS.
GROUND PATHS ARE NOT DISCRETE CIRCUITS.

| MATERIAL NUMBER | # OF COLUMNS | # OF DIFF PAIR | MATE POSITION | DIM P | PTH ϕ |
|-----------------|--------------|----------------|---------------|-------|------------|
| 171573-9604 | 6 | 18 | 90 | 4.90 | 0.46+0.05 |
| 171573-9605 | 6 | 18 | 90 | 5.50 | 0.46+0.05 |
| 171573-9607 | 6 | 18 | 90 | 4.90 | 0.39+0.05 |
| 171573-9608 | 6 | 18 | 90 | 5.50 | 0.39+0.05 |

| SEE SHEET 1 EC NO: UCP2015-5544 DRWN: B. MILLER 2016/10/07 CHKD: APPR: TELO 2016/10/10 | QUALITY SYMBOLS ▽=0 ▽=0 | GENERAL TOLERANCES (UNLESS SPECIFIED) | DIMENSION STYLE MM ONLY | SCALE 2:1 | DESIGN UNITS METRIC | THIRD ANGLE PROJECTION | | | | | | | | | | | | | | | |
|---|----------------------------------|---|-----------------------------------|---------------------|-------------------------------|------------------------|-------|-------|----------|-------|-------|----------|--------|-------|---------|--------|-------|---|---|--|--|
| | | <table border="1"> <tr> <th></th> <th>mm</th> <th>INCH</th> </tr> <tr> <td>4 PLACES</td> <td>± ---</td> <td>± ---</td> </tr> <tr> <td>3 PLACES</td> <td>± ---</td> <td>± ---</td> </tr> <tr> <td>2 PLACES</td> <td>± 0.13</td> <td>± ---</td> </tr> <tr> <td>1 PLACE</td> <td>± 0.25</td> <td>± ---</td> </tr> </table> | | mm | INCH | 4 PLACES | ± --- | ± --- | 3 PLACES | ± --- | ± --- | 2 PLACES | ± 0.13 | ± --- | 1 PLACE | ± 0.25 | ± --- | DRAWN BY: JMENDOZA DATE: 2012/12/14 CHECKED BY: TELO DATE: 2012/12/14 APPROVED BY: TELO DATE: 2013/12/26 | TITLE IMPACT ORTHOGONAL DIRECT 3 PAIR RAM 90 & 270 ASSY BOTTOM GUIDED SALES DWG | | |
| | | | mm | INCH | | | | | | | | | | | | | | | | | |
| | | 4 PLACES | ± --- | ± --- | | | | | | | | | | | | | | | | | |
| 3 PLACES | ± --- | ± --- | | | | | | | | | | | | | | | | | | | |
| 2 PLACES | ± 0.13 | ± --- | | | | | | | | | | | | | | | | | | | |
| 1 PLACE | ± 0.25 | ± --- | | | | | | | | | | | | | | | | | | | |
| ANGULAR ±1/2° DRAFT WHERE APPLICABLE MUST REMAIN WITHIN DIMENSIONS | MATERIAL NO. SEE CHART | DOCUMENT NO. SD-171573-0003 | SHEET NO. 3 OF 4 | | | | | | | | | | | | | | | | | | |
| THIS DRAWING CONTAINS INFORMATION THAT IS PROPRIETARY TO MOLEX INCORPORATED AND SHOULD NOT BE USED WITHOUT WRITTEN PERMISSION | | | | | | | | | | | | | | | | | | | | | |

ORTHO POSITION 270°
OD-RAM PIN A1 MAPS
TO RAF PIN A1



REFER TO MOLEX SALES DRAWING SD-76860-002
FOR MATING RECEPTACLES.

| ORTHO PIN MAPPING | | | | | |
|----------------------------------|---------|---------|---------|---------|---------|
| OPTION 270 (NEARSIDE - FAR SIDE) | | | | | |
| (A1-A1) | A2-B1 | (A3-D1) | A4-E1 | (A5-G1) | A6-H1 |
| B1-A2 | B2-C1 | B3-D2 | B4-F1 | B5-G2 | B6-J1 |
| C1-B2 | (C2-C2) | C3-E2 | (C4-F2) | C5-H2 | (C6-J2) |
| (D1-A3) | D2-B3 | (D3-D3) | D4-E3 | (D5-G3) | D6-H3 |
| E1-A4 | E2-C3 | E3-D4 | E4-F3 | E5-G4 | E6-J3 |
| F1-B4 | (F2-C4) | F3-E4 | (F4-F4) | F5-H4 | (F6-J4) |
| (G1-A5) | G2-B5 | (G3-D5) | G4-E5 | (G5-G5) | G6-H5 |
| H1-A6 | H2-C5 | H3-D6 | H4-F5 | H5-G6 | H6-J5 |
| J1-B6 | (J2-C6) | J3-E6 | (J4-F6) | J5-H6 | (J6-J6) |

NOTE: PINOUTS SHOWN IN BALLOONS ARE GROUNDS.
GROUND PATHS ARE NOT DISCRETE CIRCUITS.

| MATERIAL NUMBER | # OF COLUMNS | # OF DIFF PAIR | MATE POSITION | DIM P | PTH ϕ |
|-----------------|--------------|----------------|---------------|-------|------------|
| 171573-9634 | 6 | 18 | 270 | 4.90 | 0.46±0.05 |
| 171573-9635 | 6 | 18 | 270 | 5.50 | 0.46±0.05 |
| 171573-9637 | 6 | 18 | 270 | 4.90 | 0.39±0.05 |
| 171573-9638 | 6 | 18 | 270 | 5.50 | 0.39±0.05 |

| | | | | | | |
|--|-----------------------|--|--|---|-------------------------------|------------------------|
| SEE SHEET 1 EC NO: UCP2015-5544 DRAWN: MILLER 2016/10/07 CHKD: APPR: TELO 2016/10/10 | QUALITY SYMBOLS | GENERAL TOLERANCES (UNLESS SPECIFIED) | DIMENSION STYLE MM ONLY | SCALE 2:1 | DESIGN UNITS METRIC | THIRD ANGLE PROJECTION |
| | ▽=0 | mm INCH | DRAWN BY DATE JMENDOZA 2012/12/14 | TITLE IMPACT ORTHOGONAL DIRECT 3 PAIR RAM 90 & 270 ASSY BOTTOM GUIDED SALES DWG | | |
| | ▽=0 | 4 PLACES ± --- ± --- | CHECKED BY DATE TELO 2012/12/14 | molex | | |
| | ▽=0 | 3 PLACES ± --- ± --- | APPROVED BY DATE TELO 2013/12/26 | | | |
| | 2 PLACES ± 0.13 ± --- | MATERIAL NO. | DOCUMENT NO. | | SHEET NO. | |
| | 1 PLACE ± 0.25 ± --- | SEE CHART | SD-171573-0003 | | 4 OF 4 | |
| | 0 PLACE ± ± | ANGULAR ±1/2° | THIS DRAWING CONTAINS INFORMATION THAT IS PROPRIETARY TO MOLEX INCORPORATED AND SHOULD NOT BE USED WITHOUT WRITTEN PERMISSION | | | |
| | | DRAFT WHERE APPLICABLE MUST REMAIN WITHIN DIMENSIONS | | | | |