

PLEASE CHECK WWW.MOLEX.COM FOR LATEST PART INFORMATION

Part Number: [171825-0100](#)
Status: **Active**
Description: Super Sabre™ Female Crimp Terminal

Documents:

[Drawing \(PDF\)](#) [RoHS Certificate of Compliance \(PDF\)](#)

General

Product Family	Crimp Terminals
Series	171825
Application	Power, Signal
Crimp Quality Equipment	Yes
UPC	887191539317

Physical

Gender	Female
Material - Metal	Copper
Material - Plating Mating	Silver
Material - Plating Termination	Matte Tin, Nickel
Net Weight	0.497/g
Packaging Type	Reel
Wire Size AWG	12
Wire Size mm ²	N/A

Material Info

Reference - Drawing Numbers

Sales Drawing	SD-171825-001
---------------	---------------

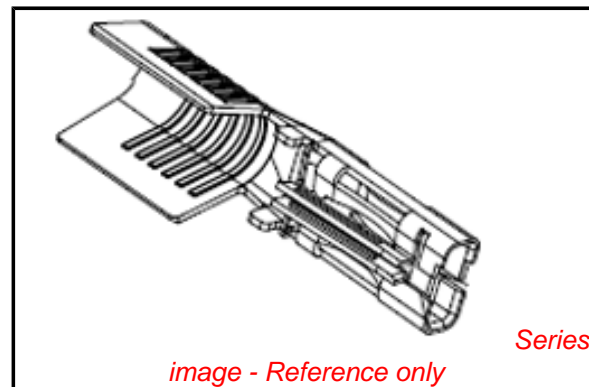


image - Reference only

EU RoHS

**ELV and RoHS
Compliant**

REACH SVHC

Not Reviewed

Low-Halogen Status

Low-Halogen

China RoHS



**Need more information on product
environmental compliance?**

Email productcompliance@molex.com
 For a multiple part number RoHS Certificate of
 Compliance, [click here](#)

Please visit the [Contact Us](#) section for any
 non-product compliance questions.

Search Parts in this Series

[171825Series](#)

Mates With

[171826-0100](#)

Use With

[44441](#) 7.50mm Pitch Sabre™ Receptacle
 Crimp Housing

Application Tooling | FAQ

*Tooling specifications and manuals are
 found by selecting the products below.
 Crimp Height Specifications are then
 contained in the Application Tooling
 Specification document.*

Global

Description	Product #
Hand Tool for Super-Sabre Crimp Terminals	0638271600
Hand Tool for Super-Sabre Crimp Terminals	0638271700

Mini-Mac Applicator 0638953200
for Super Sabre
Female Terminals

This document was generated on 01/27/2014

PLEASE CHECK WWW.MOLEX.COM FOR LATEST PART INFORMATION