

PLEASE CHECK WWW.MOLEX.COM FOR LATEST PART INFORMATION

Part Number: [1718250100](#)
Status: **Active**
Overview: [Super Sabre Connector System](#)
Description: [Super Sabre Female Crimp Terminal](#)

Documents:

[Drawing \(PDF\)](#) [Product Specification TS-171825-001-001 \(PDF\)](#)
[Product Specification PS-171825-001-001 \(PDF\)](#) [RoHS Certificate of Compliance \(PDF\)](#)

General

Product Family [Crimp Terminals](#)
Series [171825](#)
Application [Power, Signal, Wire-to-Board, Wire-to-Wire](#)
Crimp Quality Equipment [Yes](#)
Overview [Super Sabre Connector System](#)
Product Name [Super Sabre](#)
UPC [887191539317](#)

Physical

Gender [Female](#)
Material - Metal [Copper](#)
Material - Plating Mating [Silver](#)
Material - Plating Termination [Matte Tin, Nickel](#)
Net Weight [0.497/g](#)
Packaging Type [Reel](#)
Wire Insulation Diameter [n/a](#)
Wire Size AWG [10, 12](#)
Wire Size mm² [N/A](#)

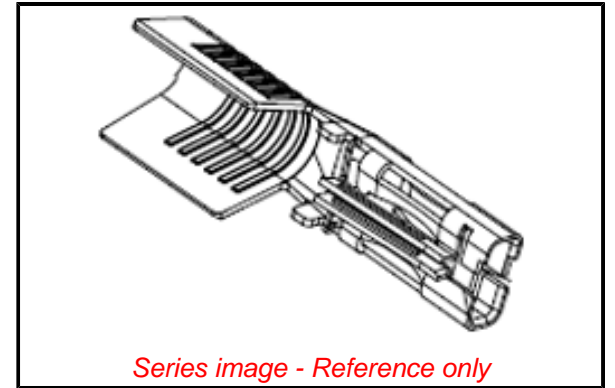
Solder Process Data

Lead-freeProcess Capability [N/A](#)

Material Info

Reference - Drawing Numbers

Product Specification [PS-171825-001-001, TS-171825-001-001](#)
Sales Drawing [SD-171825-001](#)



Series image - Reference only

EU ELV

Not Relevant

EU RoHS

Compliant

REACH SVHC

Not Contained Per -
ED/61/2018 (27 June
2018)

Halogen-Free

Status

Low-Halogen

For more information, please visit [Contact US](#)

China ROHS

ELV

RoHS Phthalates

China RoHS

Green Image

Not Relevant

Not Contained

Search Parts in this Series

[171825 Series](#)

Use With

[44441](#) 7.50mm Pitch Sabre Receptacle
Crimp Housing
[172672](#) 7.50mm Pitch
Super Sabre Receptacle Crimp Housing

Application Tooling | FAQ

Tooling specifications and manuals are found by selecting the products below. Crimp Height Specifications are then contained in the Application Tooling Specification document.

Global

Description	Product #
Extraction and Activation Tool	638132700
Hand Tool for Super-Sabre Crimp Terminals	638271600
Hand Tool for Super-Sabre Crimp Terminals	638271700

Mini-Mac Applicator 638953200
for Super Sabre
Female Terminals

This document was generated on 11/28/2018

PLEASE CHECK WWW.MOLEX.COM FOR LATEST PART INFORMATION