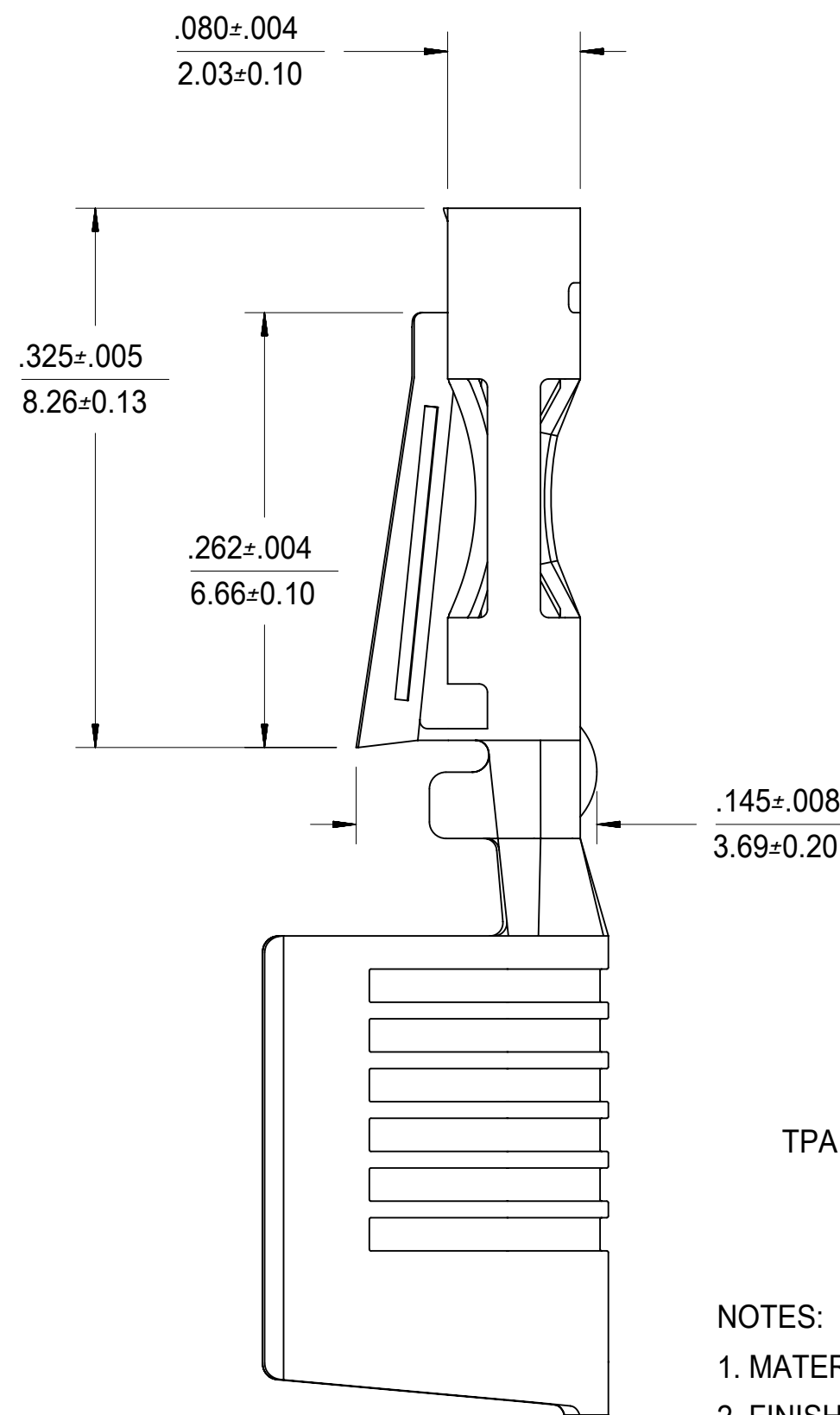
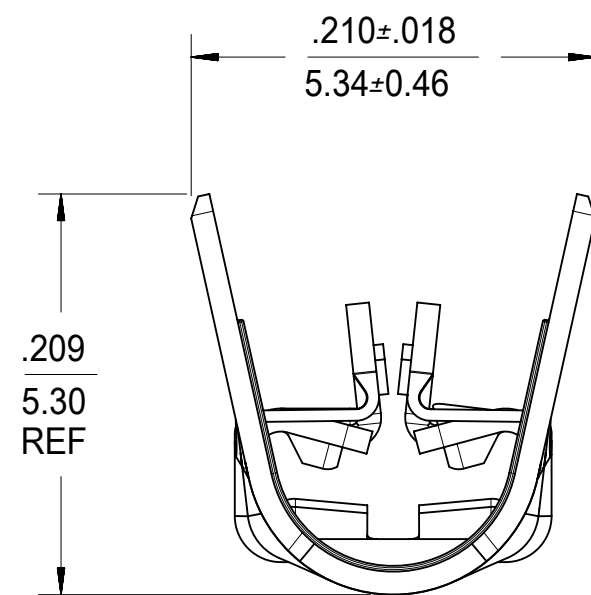
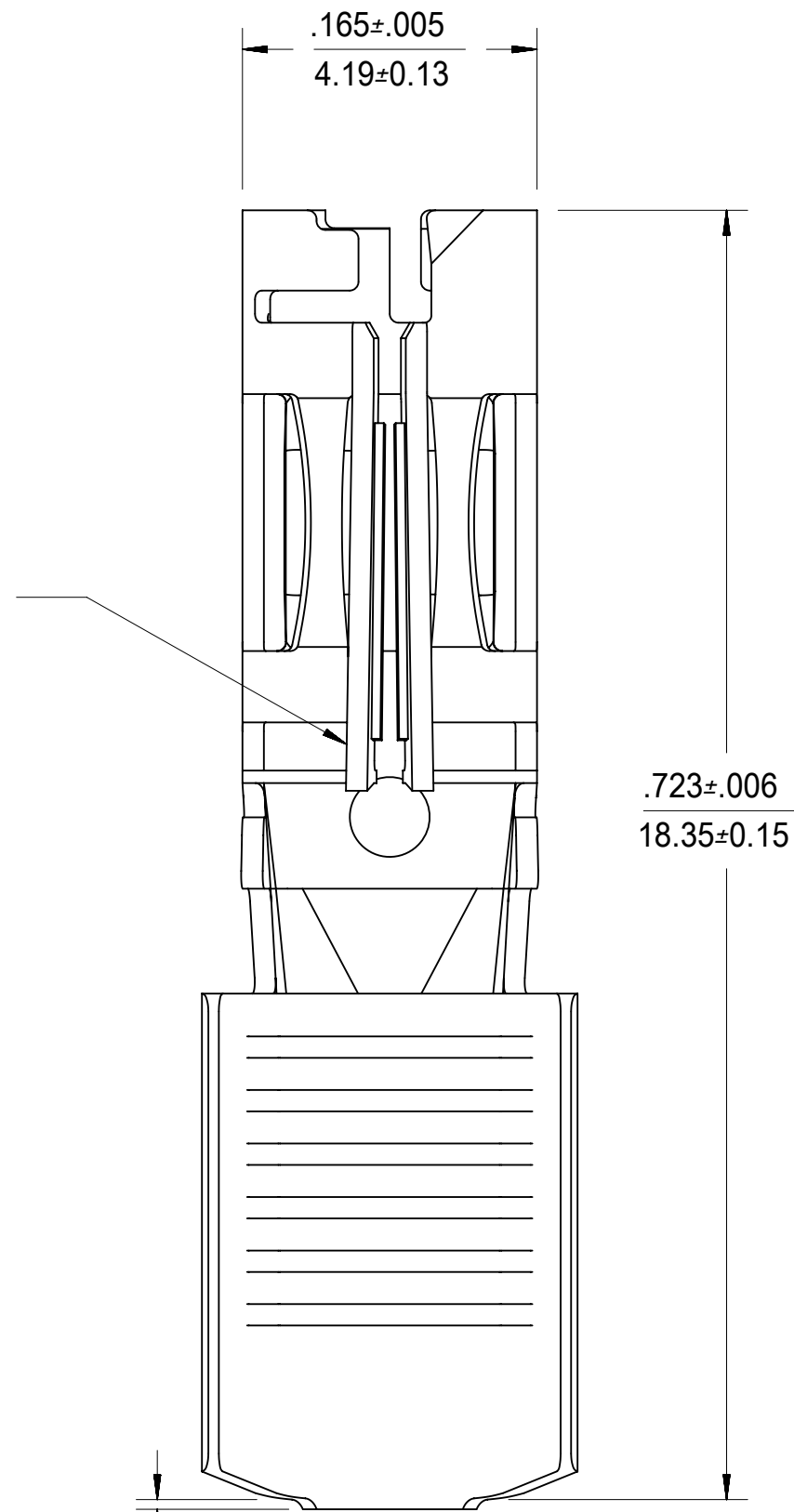


LOCK TANG BEAM
(2-PL)
(SEE NOTE 7)

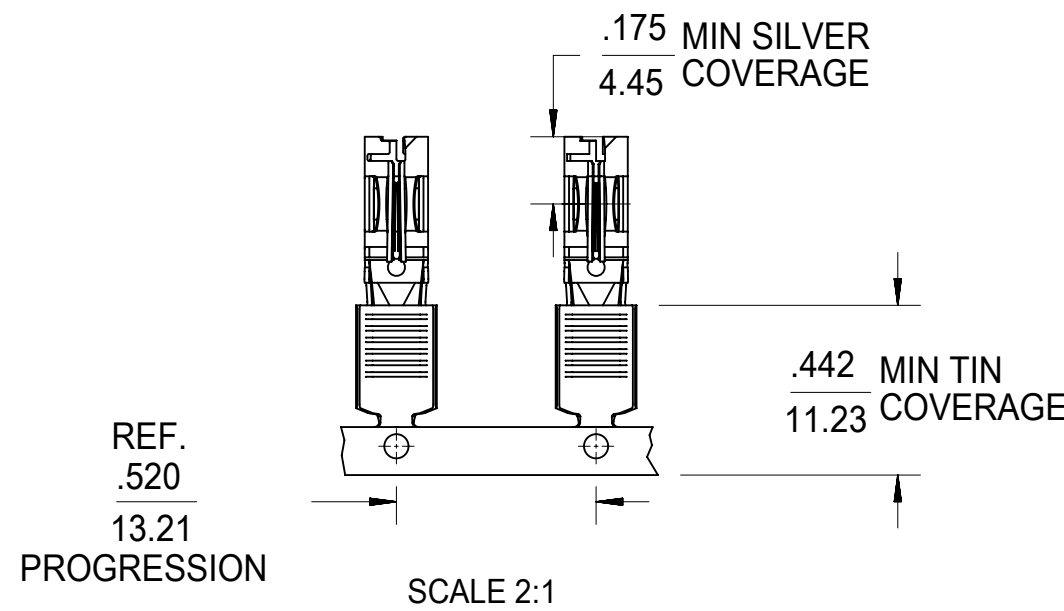
.005 MAX CUT-OFF
0.14 TAB



TPA LOCK TABS

NOTES:

1. MATERIAL: .012/(0.30) THICK HSM COPPER.
2. FINISH: SELECT SILVER (.000100/0.00254 MIN) & SELECT MATTE TIN (.000100/0.00254 MIN) OVER NICKEL OVERALL.
3. PRODUCT SPECIFICATION: PS-171825-001.
4. PACKAGING: 1718250000-PK.
5. MATES WITH: 171826 MALE CRIMP TMLS, 172042 AND 172043 HDRS. FOR USE IN 172672/44441 RCPT HSGS.
6. SINGLE CRIMP TO UL1015, 10 OR 12AWG STRANDED COPPER WIRE, OR SINGLE CRIMP TO 4MM² CU-R4TPE 19x0.53mm STRANDED COPPER WIRE OR 5MM² CU-H1PVC 65X0.32mm STRANDED COPPER WIRE. TINNED WIRE RECOMMENDED.
7. NO PORTION OF ONE LOCK TANG BEAM SHALL TOUCH ANY PORTION OF THE OTHER LOCK TANG BEAM.



SYMBOLS	THIS DRAWING CONTAINS INFORMATION THAT IS PROPRIETARY TO MOLEX ELECTRONIC TECHNOLOGIES, LLC AND SHOULD NOT BE USED WITHOUT WRITTEN PERMISSION										
	DIMENSION UNITS		SCALE		CURRENT REV DESC: ADD PK SPEC						
∇ = 0	IN/MM		10:1		molex SUPER-SABRE FEMALE CRIMP TERMINAL PRODUCT CUSTOMER DRAWING EC NO: 613640 DRWN: JEHRISMAN 2019/03/11 CHK'D: MKIPPER 2019/03/25 APPR: FSMITH 2019/04/01 INITIAL REVISION: DRWN: APPR:						
∇ = 0	GENERAL TOLERANCES (UNLESS SPECIFIED)										
∇ = 0			MM	INCH							
S = 0	4 PLACES	±	±								
∇ = 0	3 PLACES	±	±	0.01							
∇ = 0	2 PLACES	±	0.25	±	0.014						
∇ = 0	1 PLACE	±	0.35	±							
∇ = 0	0 PLACES	±	±								
∇ = 0	ANGULAR TOL		± 0.5°		THIRD ANGLE PROJECTION		DRAWING	SERIES	MATERIAL NUMBER	CUSTOMER	SHEET NUMBER
∇ = 0	DRAFT WHERE APPLICABLE MUST REMAIN WITHIN DIMENSIONS				C-SIZE		171825	1718250100	GENERAL MARKET	1 OF 1	