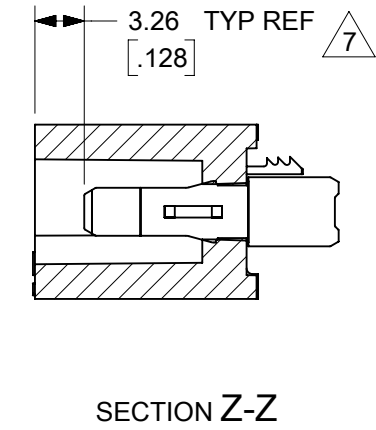
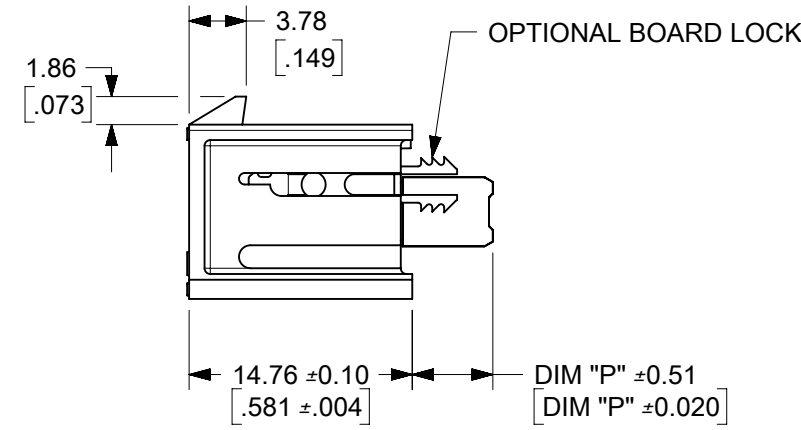
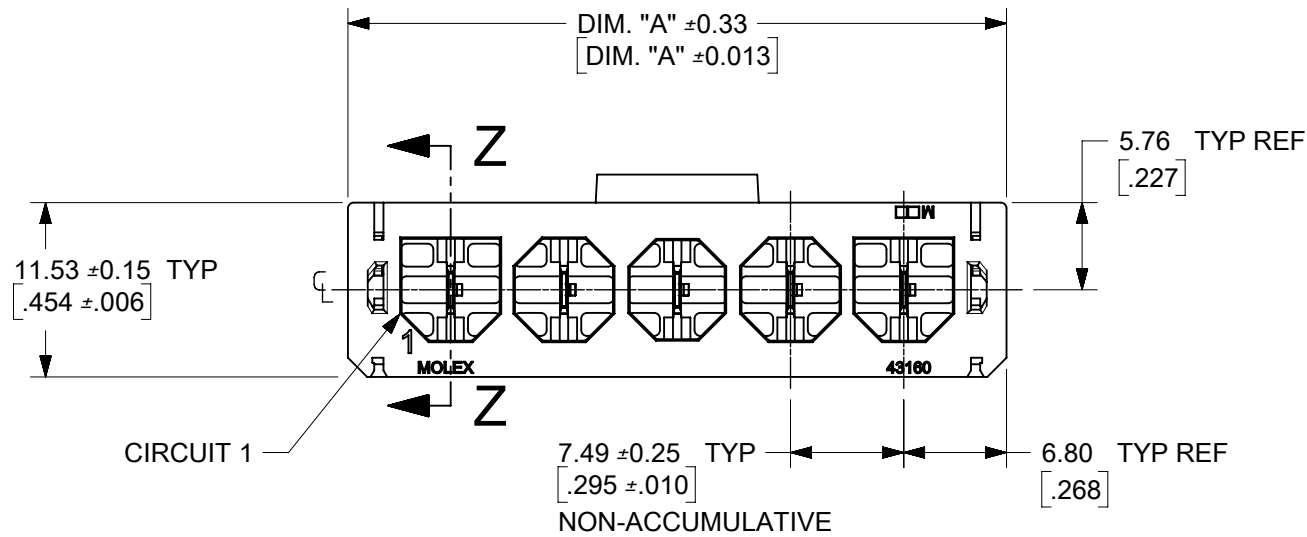
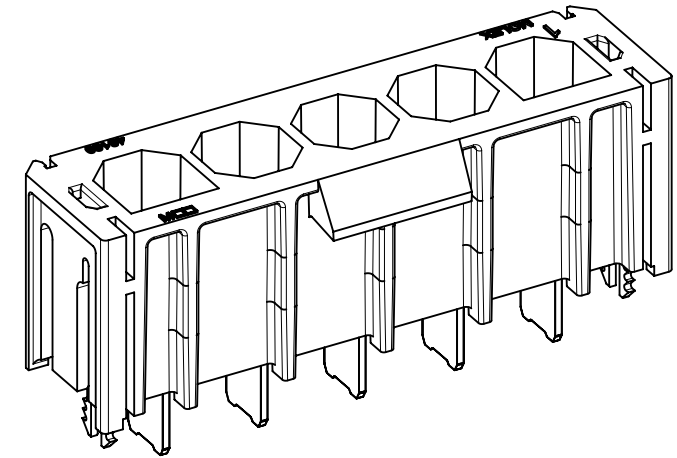
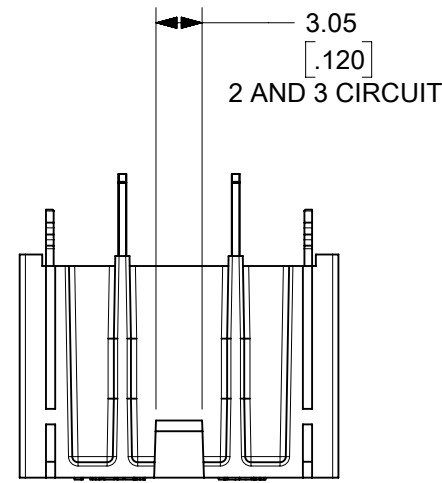
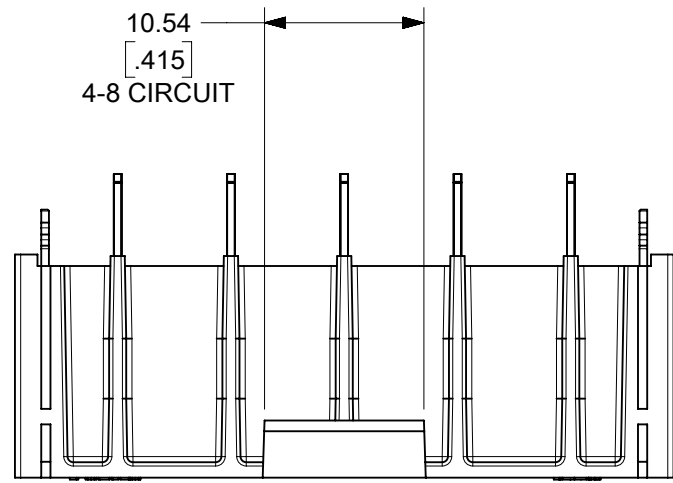


CIRCUIT SIZE	DIM. "A"
2	$\frac{21.08}{.830}$
3	$\frac{28.58}{1.125}$
4	$\frac{36.07}{1.420}$
5	$\frac{43.56}{1.715}$
6	$\frac{51.05}{2.010}$
8	$\frac{66.04}{2.600}$

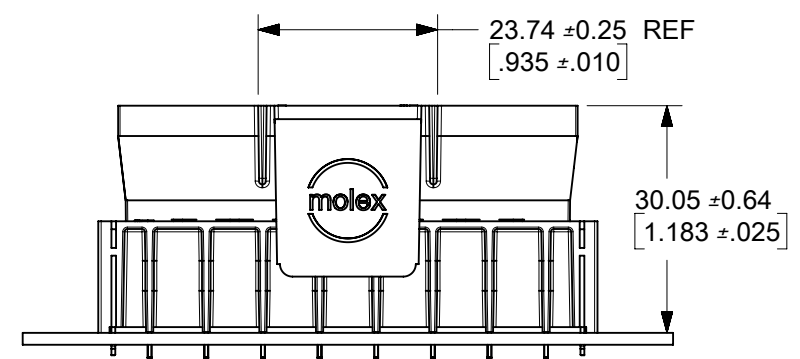
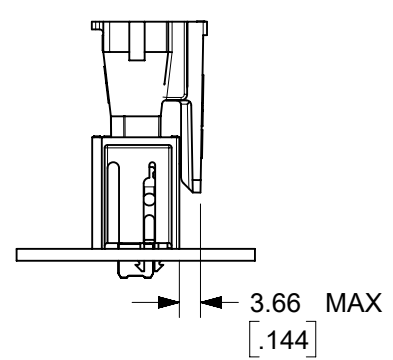
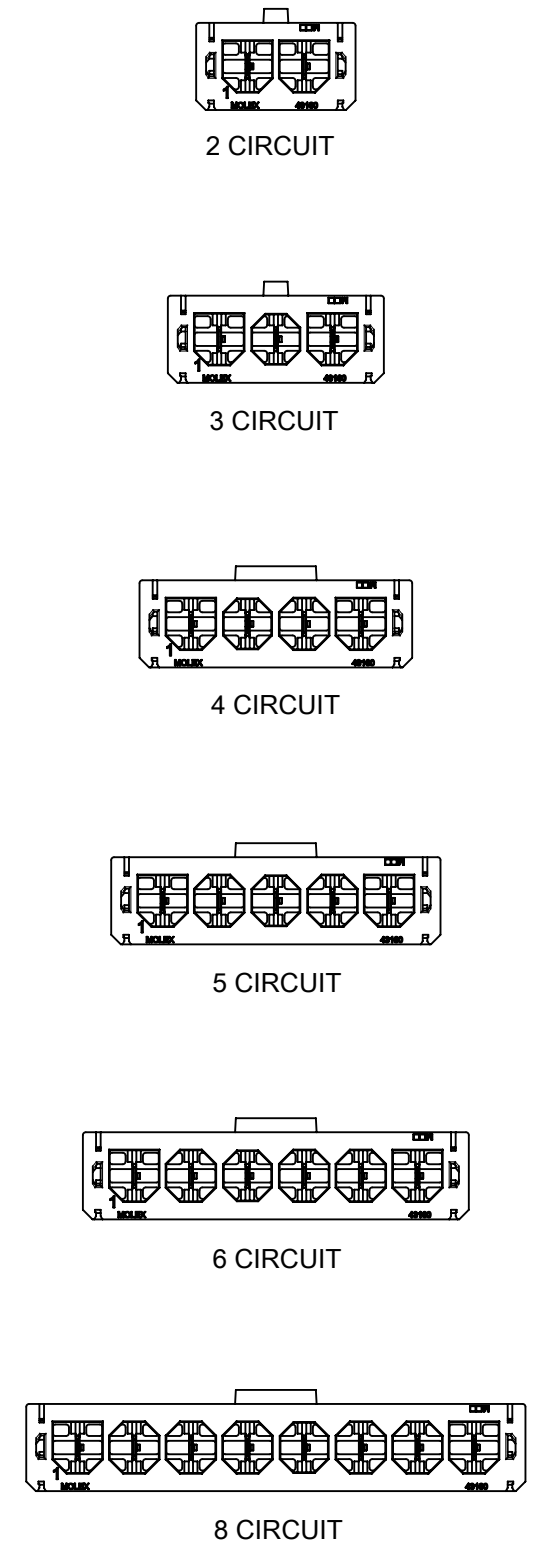
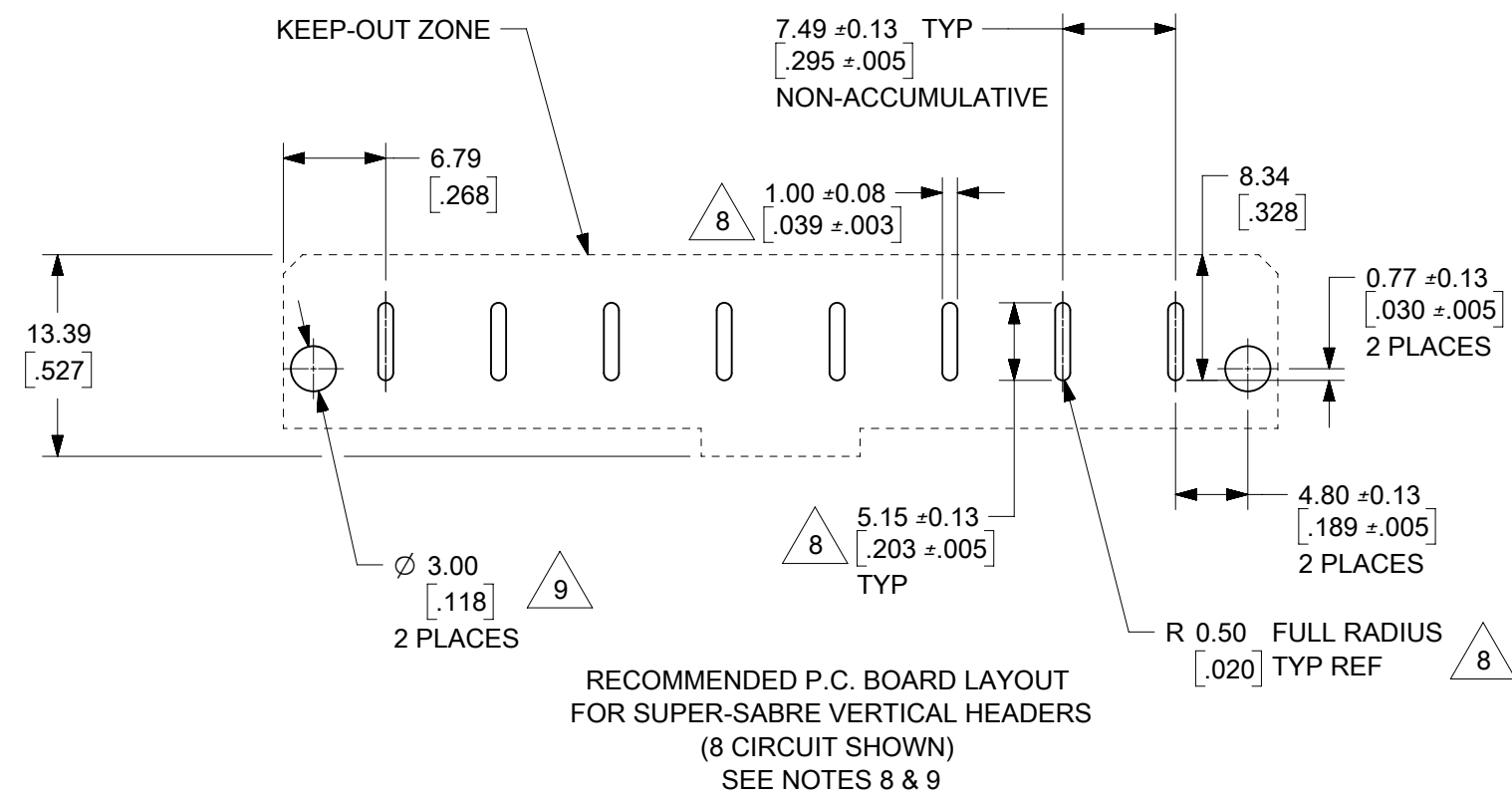


NOTES:

- MATERIALS
HOUSING: GLASS-FILLED, LIQUID CRYSTAL POLYMER (LCP), UL94V-0, LOW-HALOGEN, GLOW-WIRE CAPABLE, COLOR: BLACK
TERMINALS: ETP COPPER
- FINISHES:
.00254/.000100 MIN SELECT SILVER AND .00254/.000100 MIN SELECT MATTE TIN OVER NICKEL OVERALL
- PRODUCT SPECIFICATION: PS-171825-001
- PACKAGING INFORMATION: PK-43789-001 (TRAY PACK)
- MATES WITH:
171825 FEMALE CRIMP TERMINALS
172672 RECEPTACLE HOUSINGS
- THIS PART CONFORMS TO CLASS B REQUIREMENTS OF COSMETIC SPEC PS-45499-002.
- HEADERS ARE DESIGNED TO MINIMIZE ACCESSIBILITY TO LIVE PARTS, PER UL 1977 AND UL 60950 FINGER PROBE REQUIREMENTS.
- SLOTTED VIAS, PLATED-THRU. MOLEX RECOMMENDS ANNULAR RING DESIGN PARAMETERS AS SPECIFIED IN IPC-2221, GENERIC STANDARD ON PRINTED BOARD DESIGN.
- 3.00/.118 MOUNTING-HOLES (NON-PLATED) FOR OPTIONAL BOARD-LOCKS SHOWN.

SYMBOLS										THIS DRAWING CONTAINS INFORMATION THAT IS PROPRIETARY TO MOLEX ELECTRONIC TECHNOLOGIES, LLC AND SHOULD NOT BE USED WITHOUT WRITTEN PERMISSION									
DIMENSION UNITS					SCALE					CURRENT REV DESC: REVISE PCB SLOT DIMENSIONS									
MM/INCH					2:1														
GENERAL TOLERANCES (UNLESS SPECIFIED)										EC NO: 628733									
4 PLACES ±					±					DRWN: MKIPPER 2019/11/07					SUPER-SABRE VERTICAL HEADER ASSY SINGLE-ROW FINGER PROOF				
3 PLACES ±					± 0.005					CHK'D: DSTEIER 2019/12/09									
2 PLACES ±					± 0.13 ± 0.01					APPR: FSMITH 2019/12/11					PRODUCT CUSTOMER DRAWING				
1 PLACE ±					± 0.25 ±					INITIAL REVISION:					DOCUMENT NUMBER				
0 PLACES ±					±					DRWN: BANDERSON 2013/06/21					SD-172042-001				
ANGULAR TOL ± 0.5°					APPR: BANDERSON 2013/06/25					THIRD ANGLE PROJECTION					DOC TYPE DOC PART REVISION				
DRAFT WHERE APPLICABLE MUST REMAIN WITHIN DIMENSIONS					DRAWING					SERIES					MATERIAL NUMBER CUSTOMER SHEET NUMBER				
					B-SIZE 172042					SEE CHART					GENERAL MARKET 1 OF 2				

ASSEMBLY PART NO.	CIRCUITS	DIM. 'P' ± $\frac{0.51}{.020}$	BOARD LOCK
172042-0201	2	3.81/(.150) (SHORT TAIL)	NO
172042-0301	3		
172042-0401	4		
172042-0501	5		
172042-0601	6		
172042-0801	8		
172042-0202	2	3.81/(.150) (SHORT TAIL)	YES
172042-0302	3		
172042-0402	4		
172042-0502	5		
172042-0602	6		
172042-0802	8		
172042-0205	2	5.33/(.210) (LONG TAIL)	NO
172042-0305	3		
172042-0405	4		
172042-0505	5		
172042-0605	6		
172042-0805	8		
172042-0206	2	5.33/(.210) (LONG TAIL)	YES
172042-0306	3		
172042-0406	4		
172042-0506	5		
172042-0606	6		
172042-0806	8		



SYMBOLS		THIS DRAWING CONTAINS INFORMATION THAT IS PROPRIETARY TO MOLEX ELECTRONIC TECHNOLOGIES, LLC AND SHOULD NOT BE USED WITHOUT WRITTEN PERMISSION	
▽ = 0	DIMENSION UNITS	SCALE	CURRENT REV DESC: REVISE PCB SLOT DIMENSIONS
▽ = 0	MM/INCH	1:1	
▽ = 0	GENERAL TOLERANCES (UNLESS SPECIFIED)		
▽ = 0		MM	INCH
▽ = 0	4 PLACES ±		
▽ = 0	3 PLACES ±	± 0.005	
▽ = 0	2 PLACES ±	± 0.13	± 0.01
▽ = 0	1 PLACE ±	± 0.25	±
▽ = 0	0 PLACES ±	±	±
▽ = 0	ANGULAR TOL	± 0.5°	
▽ = 0	DRAFT WHERE APPLICABLE MUST REMAIN WITHIN DIMENSIONS	THIRD ANGLE PROJECTION	DRAWING
▽ = 0		⊕	B-SIZE
		SERIES	172042
		MATERIAL NUMBER	SEE CHART
		CUSTOMER	GENERAL MARKET
		SHEET NUMBER	2 OF 2

molex

SUPER-SABRE VERTICAL
HEADER ASSY SINGLE-ROW FINGER PROOF

PRODUCT CUSTOMER DRAWING

DOCUMENT NUMBER: SD-172042-001
DOC TYPE: PSD
DOC PART: 001
REVISION: C1