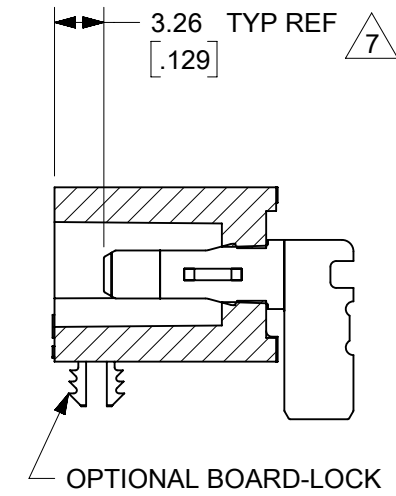
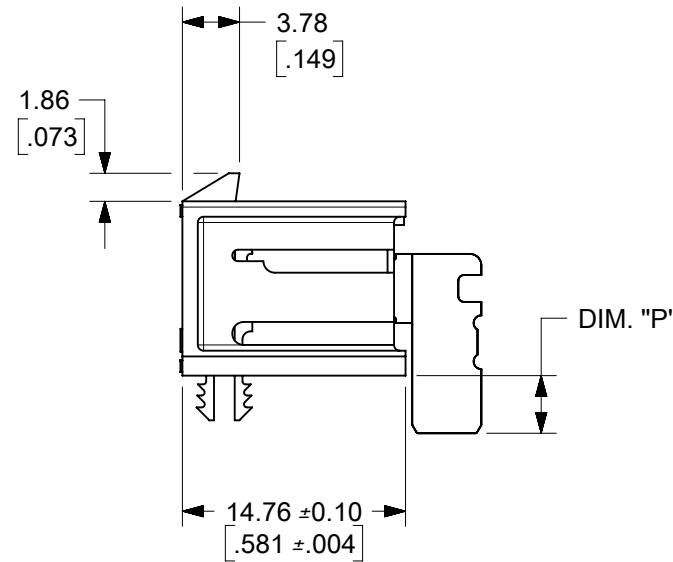
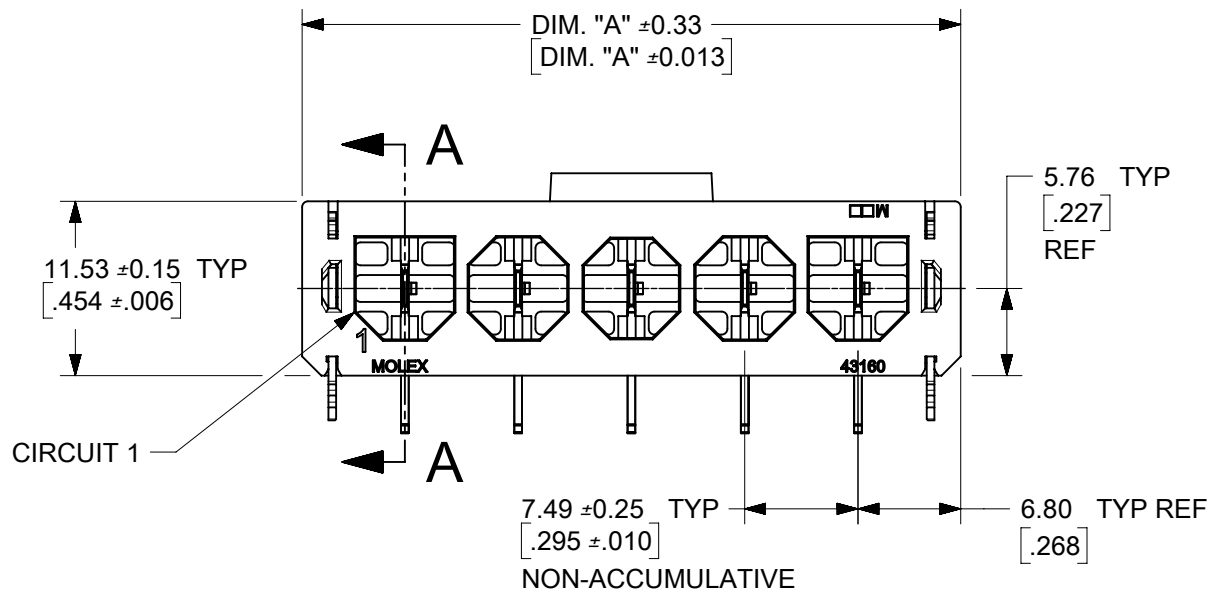
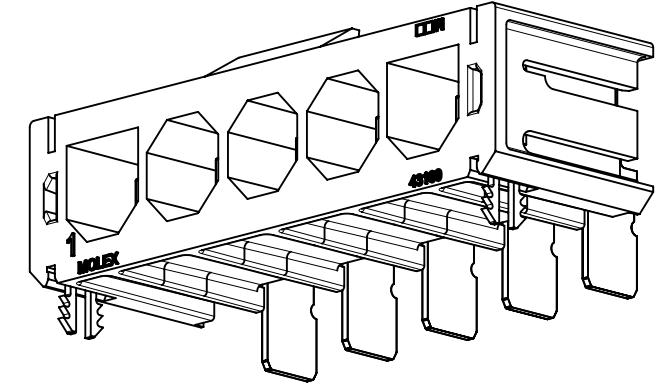
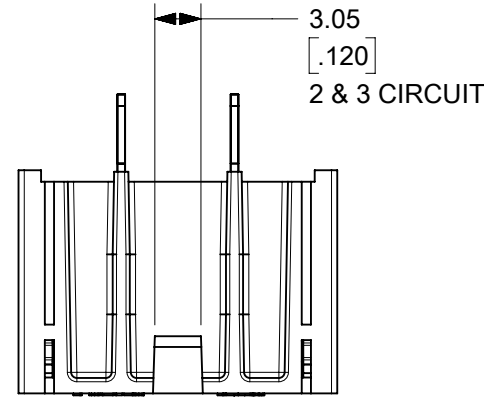
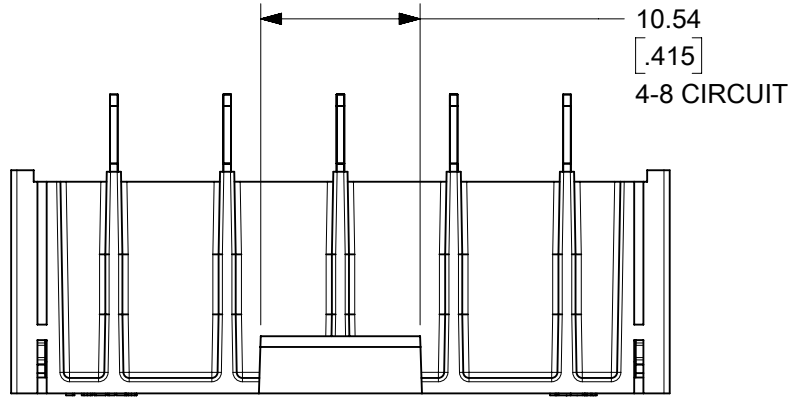


CIRCUIT SIZE	DIM. "A"
2	$\frac{21.08}{.830}$
3	$\frac{28.58}{1.125}$
4	$\frac{36.07}{1.420}$
5	$\frac{43.56}{1.715}$
6	$\frac{51.05}{2.010}$
8	$\frac{66.04}{2.600}$



SECTION A-A

NOTES:

- MATERIALS
HOUSING: GLASS-FILLED, LIQUID CRYSTAL POLYMER (LCP), UL94V-0, LOW-HALOGEN, GLOW-WIRE CAPABLE, COLOR: BLACK
TERMINALS: ETP COPPER
- FINISHES:
0.00254/.000100 MIN SELECT SILVER AND 0.00254/.000100 MIN SELECT MATTE TIN OVER NICKEL OVERALL
- PRODUCT SPECIFICATION: PS-171825-001
- PACKAGING INFORMATION: PK-43789-001 (TRAY PACK)
- MATES WITH:
171825 FEMALE CRIMP TERMINALS
172672 RECEPTACLE HOUSINGS
- THIS PART CONFORMS TO CLASS B REQUIREMENTS OF COSMETIC SPEC PS-45499-002.
- HEADERS ARE DESIGNED TO MINIMIZE ACCESSIBILITY TO LIVE PARTS, PER UL 1977 AND UL 60950 FINGER PROBE REQUIREMENTS.
- SLOTTED VIAS, PLATED THRU. MOLEX RECOMMENDS ANNULAR RING DESIGN PARAMETERS AS SPECIFIED IN IPC-2221, GENERIC STANDARD ON PRINTED BOARD DESIGN.
- 3.00/1.18 MOUNTING-HOLES (NON-PLATED) FOR OPTIONAL BOARD-LOCKS SHOWN.

THIS DRAWING CONTAINS INFORMATION THAT IS PROPRIETARY TO MOLEX ELECTRONIC TECHNOLOGIES, LLC AND SHOULD NOT BE USED WITHOUT WRITTEN PERMISSION									
SYMBOLS	DIMENSION UNITS	SCALE	CURRENT REV DESC: REVISE PCB SLOT DIMENSIONS						
▽ = 0	MM/INCH	2:1	GENERAL TOLERANCES (UNLESS SPECIFIED)						
▽ = 0									
▽ = 0			MM		INCH		EC NO: 628733		
▽ = 0	4 PLACES ±						DRWN: MKIPPER 2019/11/07		
▽ = 0	3 PLACES ±	± 0.005					CHK'D: DSTEIER 2019/12/09		
▽ = 0	2 PLACES ±	± 0.13 ± 0.01					APPR: FSMITH 2019/12/11		
▽ = 0	1 PLACE ±	± 0.25 ±					INITIAL REVISION:		
▽ = 0	0 PLACES ±						DRWN: BANDERSON 2013/06/21		
▽ = 0							APPR: BANDERSON 2013/06/25		
▽ = 0	ANGULAR TOL	± 0.5°					THIRD ANGLE PROJECTION		
▽ = 0	DRAFT WHERE APPLICABLE MUST REMAIN WITHIN DIMENSIONS						DRAWING SERIES		
							B-SIZE 172043		
							MATERIAL NUMBER CUSTOMER SHEET NUMBER		
							SEE CHART GENERAL MARKET 1 OF 2		

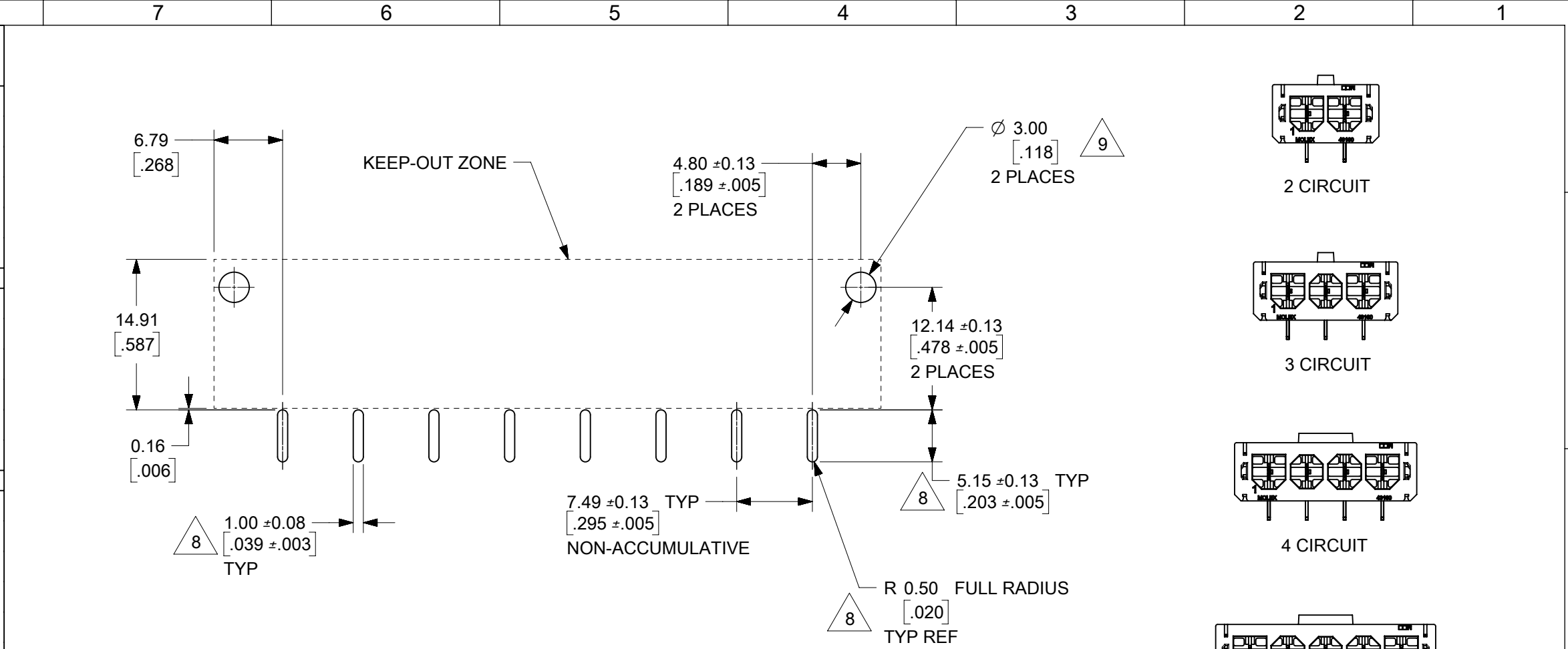
molex

SUPER-SABRE RIGHT-ANGLE HEADER ASSY SINGLE-ROW, FINGER-PROOF

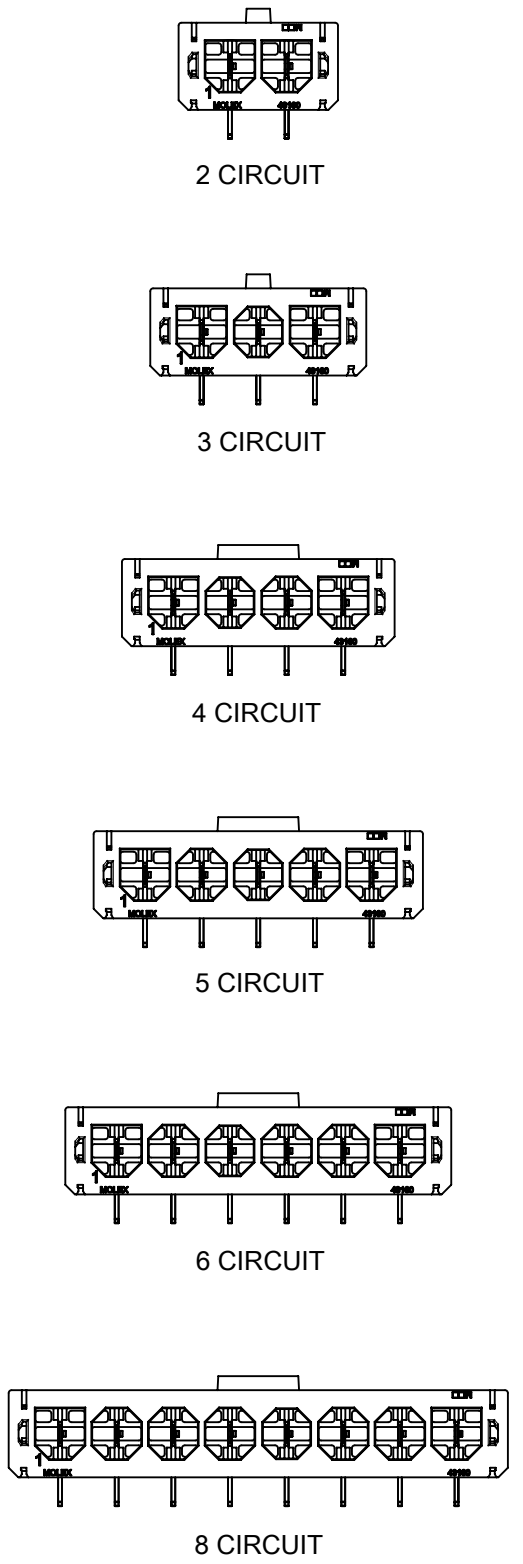
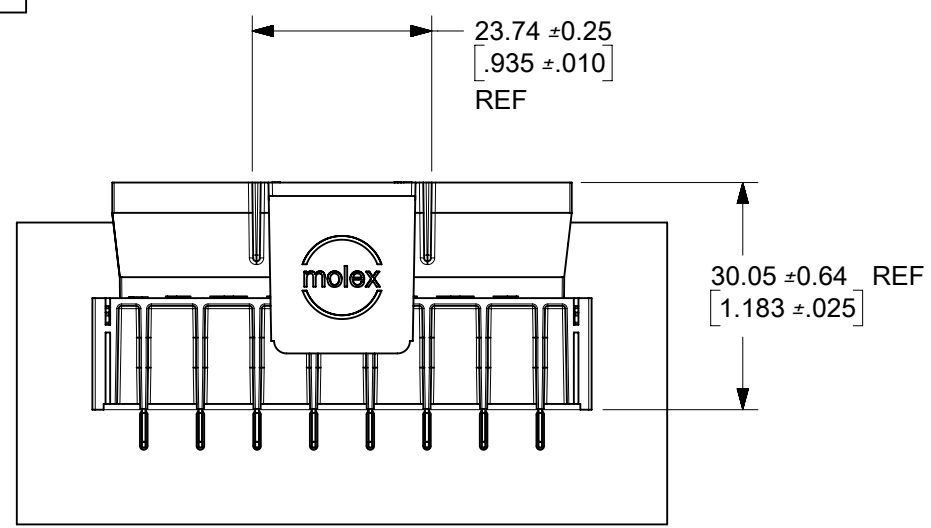
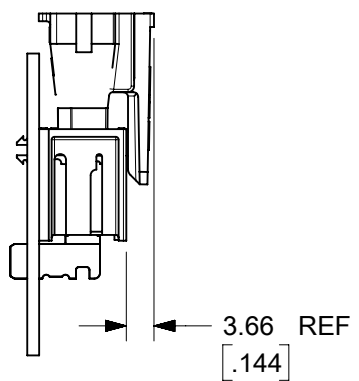
PRODUCT CUSTOMER DRAWING

DOCUMENT NUMBER	DOC TYPE	DOC PART	REVISION
SD-172043-001	PSD	001	C1

ASSEMBLY PART NO.	CIRCUITS	DIM. 'P' ± $\frac{0.51}{.020}$	BOARD LOCK
172043-0201	2	3.81/(.150) (SHORT TAIL)	NO
172043-0301	3		
172043-0401	4		
172043-0501	5		
172043-0601	6		
172043-0801	8		
172043-0202	2	3.81/(.150) (SHORT TAIL)	YES
172043-0302	3		
172043-0402	4		
172043-0502	5		
172043-0602	6		
172043-0802	8		
172043-0205	2	5.33/(.210) (LONG TAIL)	NO
172043-0305	3		
172043-0405	4		
172043-0505	5		
172043-0605	6		
172043-0805	8		
172043-0206	2	5.33/(.210) (LONG TAIL)	YES
172043-0306	3		
172043-0406	4		
172043-0506	5		
172043-0606	6		
172043-0806	8		



RECOMMENDED P.C. BOARD LAYOUT
FOR RIGHT ANGLE SUPER-SABRE HEADERS
(8 CIRCUIT SHOWN)
SEE NOTES 8 & 9



THIS DRAWING CONTAINS INFORMATION THAT IS PROPRIETARY TO MOLEX ELECTRONIC TECHNOLOGIES, LLC AND SHOULD NOT BE USED WITHOUT WRITTEN PERMISSION									
SYMBOLS		DIMENSION UNITS		SCALE		CURRENT REV DESC: REVISE PCB SLOT DIMENSIONS			
▽ = 0	▽ = 0	MM/INCH		1:1					
▽ = 0	▽ = 0	GENERAL TOLERANCES (UNLESS SPECIFIED)							
▽ = 0	▽ = 0		MM	INCH					
▽ = 0	▽ = 0	4 PLACES ±			EC NO: 628733				
▽ = 0	▽ = 0	3 PLACES ±		± 0.005	DRWN: MKIPPER 2019/11/07				
▽ = 0	▽ = 0	2 PLACES ±	0.13	± 0.01	CHK'D: DSTEIER 2019/12/09				
▽ = 0	▽ = 0	1 PLACE ±	0.25		APPR: FSMITH 2019/12/11				
▽ = 0	▽ = 0	0 PLACES ±			INITIAL REVISION:				
▽ = 0	▽ = 0	ANGULAR TOL ± 0.5°			DRWN: BANDERSON 2013/06/21		2013/06/21		
▽ = 0	▽ = 0	DRAFT WHERE APPLICABLE MUST REMAIN WITHIN DIMENSIONS			APPR: BANDERSON 2013/06/25				
THIRD ANGLE PROJECTION		DRAWING		SERIES		DOCUMENT NUMBER		DOC TYPE DOC PART REVISION	
B-SIZE		172043		SD-172043-001		PSD		001 C1	
MATERIAL NUMBER		CUSTOMER		SEE CHART		GENERAL MARKET		SHEET NUMBER	
								2 OF 2	