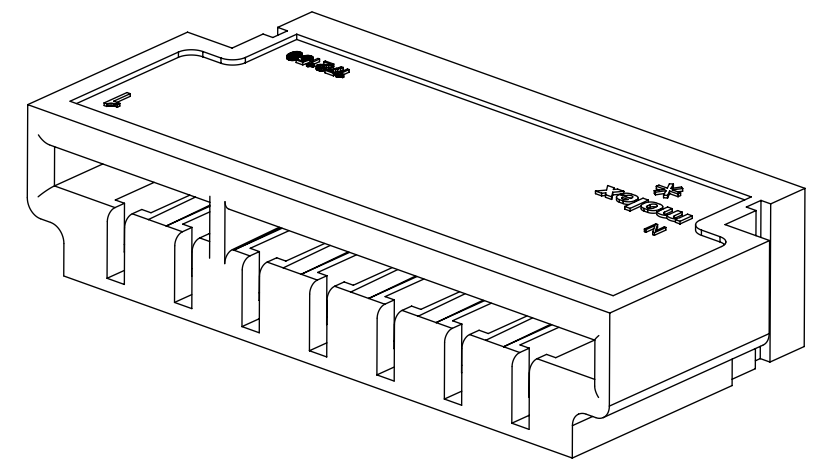
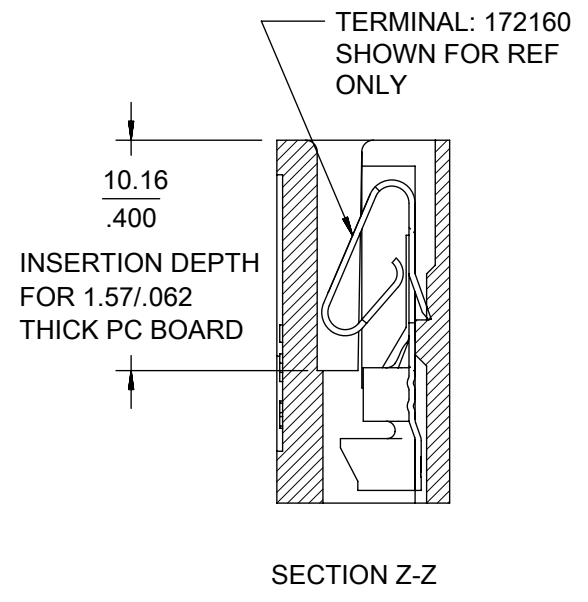
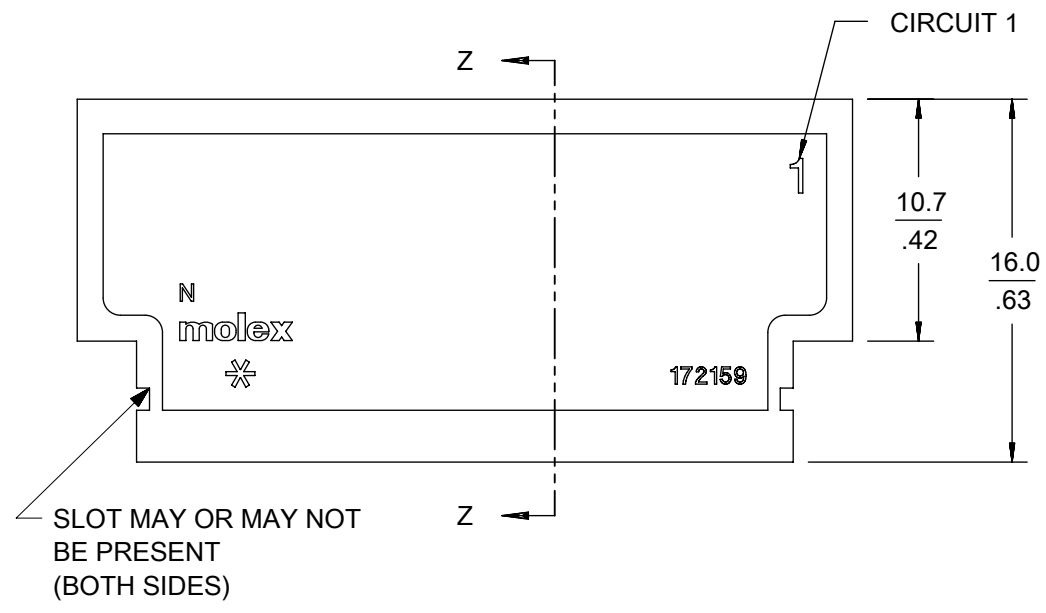


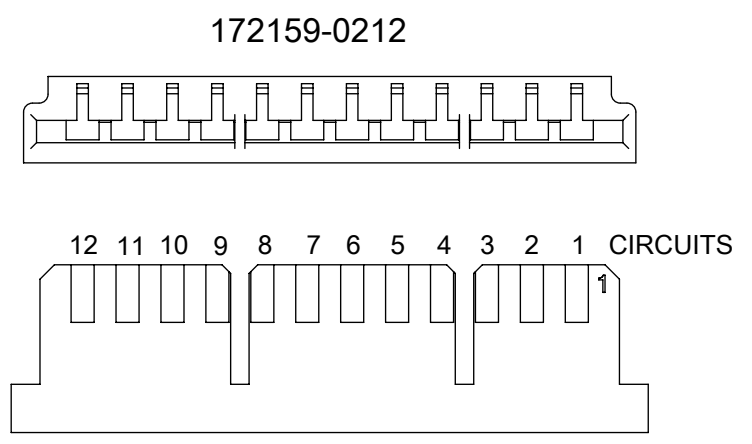
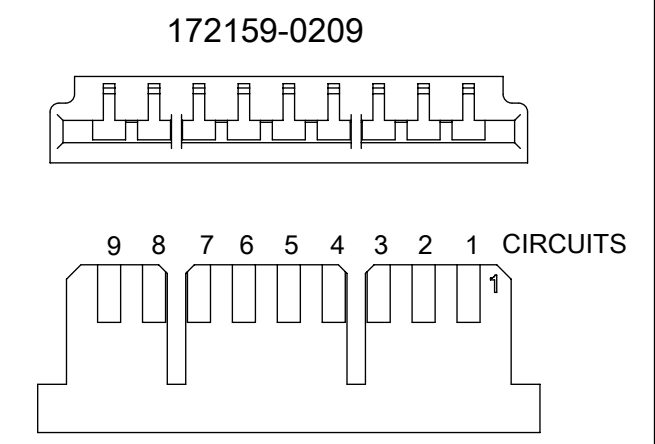
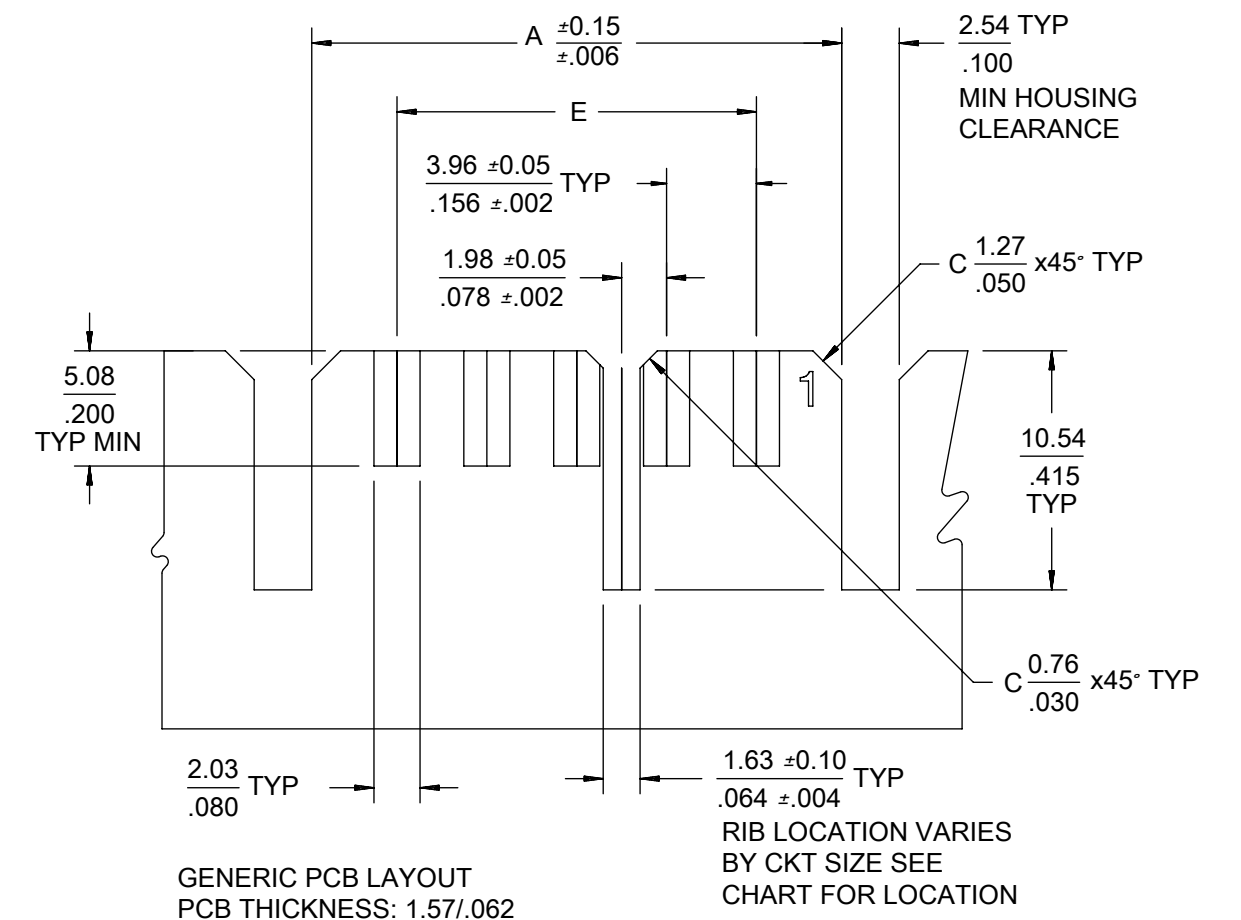
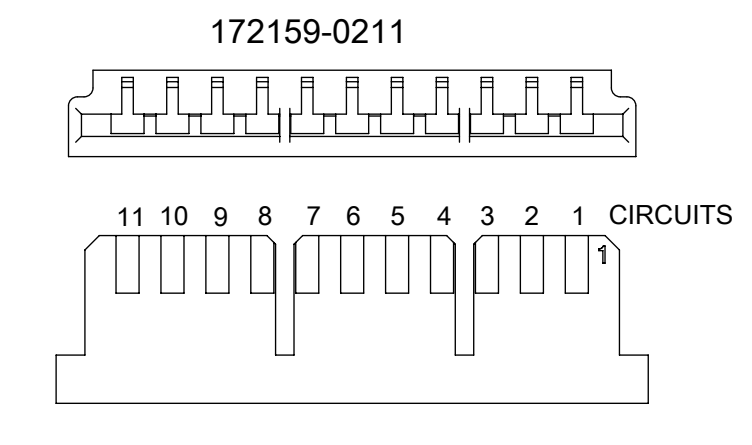
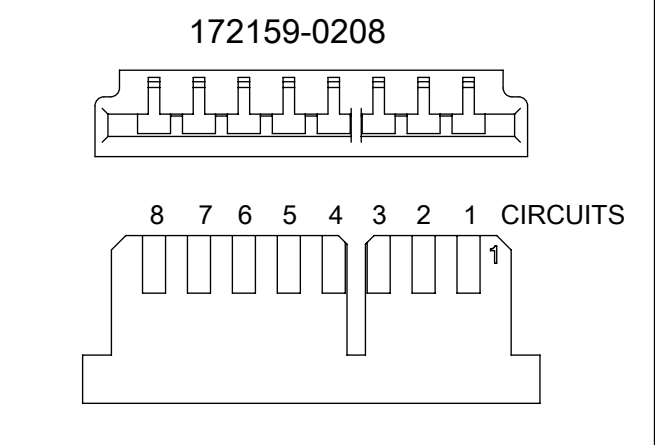
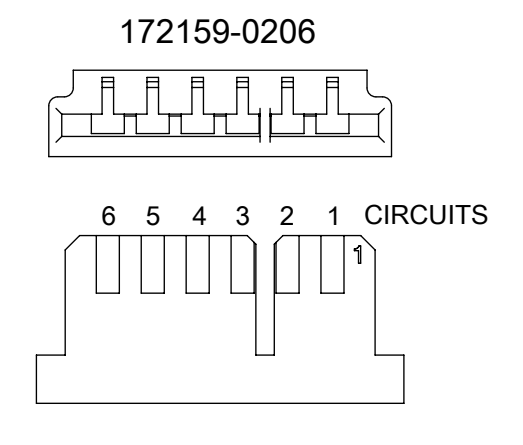
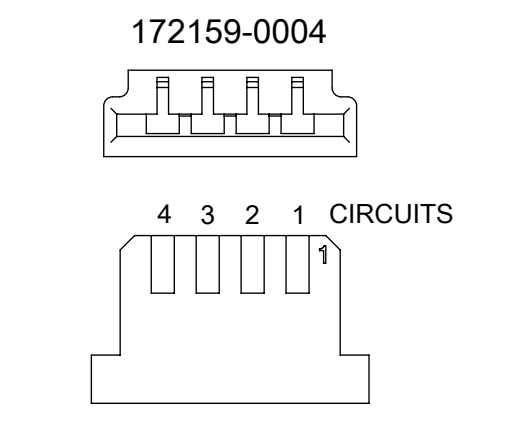
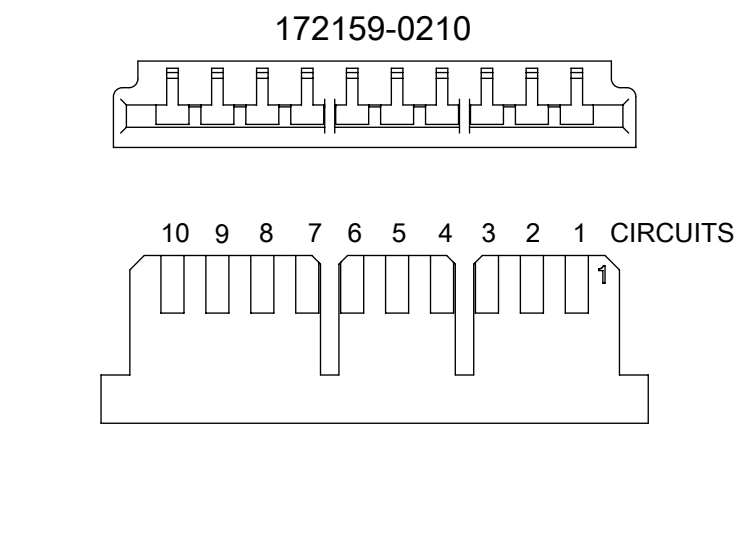
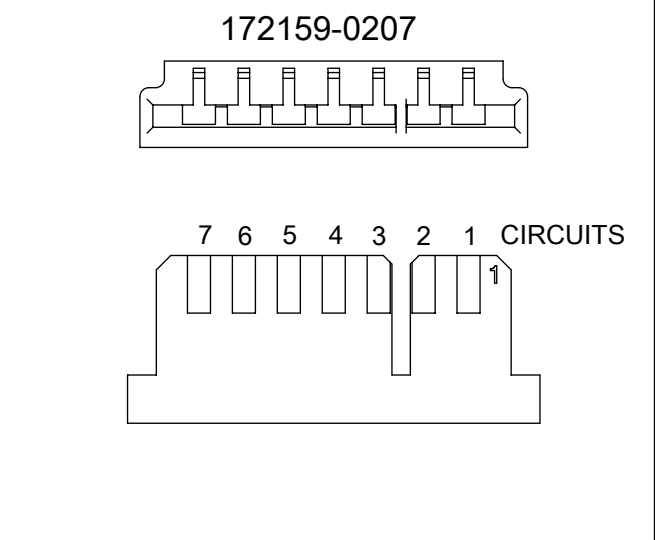
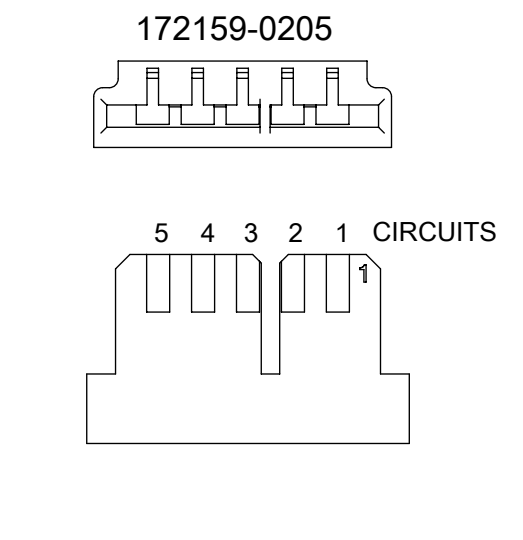
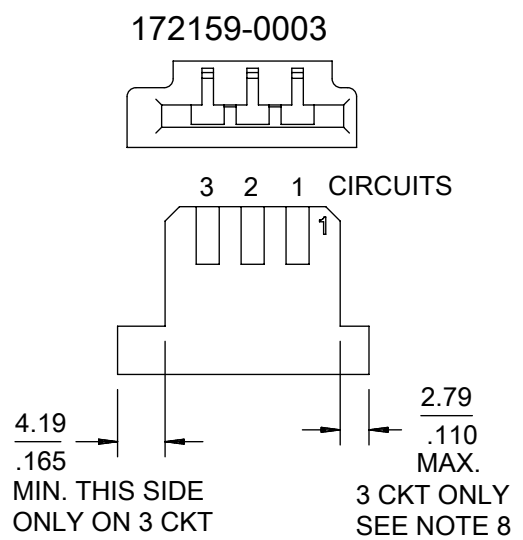
- NOTES:
1. MATERIAL: NYLON 6/6, 94V-2, WHITE
 2. FINISH: N/A
 3. PRODUCT SPECIFICATION: PS-172160-0001
 4. PACKAGING SPECIFICATION: PK-172159-0001
 5. COSMETIC SPECIFICATION: PS-45499-002 CLASS B
 6. HOUSING ACCEPTS TERMINAL: 172160
 7. THIS PART WITH PCB HOOK SEE SD-172159-0002
 8. DIMENSION TO BE 2.54-2.79 / .100-.110 TO POLARIZE HOUSING AND PCB.

CKTS	MATERIAL NO	POL RIB	DIM A	DIM B	DIM C	DIM E
03	172159-0003	N/A	$\frac{15.70}{.618}$	$\frac{20.24}{.797}$	$\frac{16.05}{.632}$	$\frac{7.92}{.312}$
04	172159-0004	N/A	$\frac{19.66}{.774}$	$\frac{22.30}{.878}$	$\frac{20.02}{.788}$	$\frac{11.89}{.468}$
05	172159-0205	2-3	$\frac{23.42}{.922}$	$\frac{26.26}{1.034}$	$\frac{23.98}{.944}$	$\frac{15.85}{.624}$
06	172159-0206	2-3	$\frac{27.38}{1.078}$	$\frac{30.23}{1.190}$	$\frac{27.94}{1.100}$	$\frac{19.81}{.780}$
07	172159-0207	2-3	$\frac{31.29}{1.232}$	$\frac{34.19}{1.346}$	$\frac{31.90}{1.256}$	$\frac{23.77}{.936}$
08	172159-0208	3-4	$\frac{35.26}{1.388}$	$\frac{38.15}{1.502}$	$\frac{35.86}{1.412}$	$\frac{27.74}{1.092}$
09	172159-0209	3-4, 7-8	$\frac{39.22}{1.544}$	$\frac{42.11}{1.658}$	$\frac{39.83}{1.568}$	$\frac{31.70}{1.248}$
10	172159-0210	3-4, 6-7	$\frac{43.18}{1.700}$	$\frac{46.08}{1.814}$	$\frac{43.79}{1.724}$	$\frac{35.66}{1.404}$
11	172159-0211	3-4, 7-8	$\frac{47.09}{1.854}$	$\frac{50.04}{1.970}$	$\frac{47.75}{1.880}$	$\frac{39.62}{1.560}$
12	172159-0212	3-4, 8-9	$\frac{51.05}{2.010}$	$\frac{54.00}{2.126}$	$\frac{51.71}{2.036}$	$\frac{43.59}{1.716}$



THIS DRAWING CONTAINS INFORMATION THAT IS PROPRIETARY TO MOLEX ELECTRONIC TECHNOLOGIES, LLC AND SHOULD NOT BE USED WITHOUT WRITTEN PERMISSION

QUALITY SYMBOLS ∇ = 0 ∇ = 0 ∇ = 0 \blacktriangledown = 0 ∇ = 0 \square = 0 \blacksquare = 0 ∇ = 0	ADD SLOT NOTE EC NO: 101899 DRWN: MKIPPER CHK'D: FSMITH APPR: FSMITH	GENERAL TOLERANCES (UNLESS SPECIFIED) ANGULAR TOL ± ° 4 PLACES ± 3 PLACES ± 0.01 2 PLACES ± 0.015 1 PLACE ± 0 PLACES ±	DIMENSION UNITS: MM/IN SCALE: 3:1 DRWN BY: KSAMIEC DATE: 2013/07/30 CHK'D BY: JBELL DATE: 2015/10/30 APPR BY: JCOMERCI DATE: 2013/11/14				
		DRAFT WHERE APPLICABLE MUST REMAIN WITHIN DIMENSIONS	DRAWING SIZE: B THIRD ANGLE PROJECTION				
		PRODUCT CUSTOMER DRAWING		SERIES: 172159 MATERIAL NUMBER: SEE CHART CUSTOMER: GENERAL MARKET	DOCUMENT NUMBER: SD-172159-0000 DOC TYPE: PSD DOC PART: 000 SHEET NUMBER: 1 OF 2		
		RELEASE STATUS: P1 RELEASE DATE: 2016/02/05 22:23:31 MODEL: TM-172159-0000					



THIS DRAWING CONTAINS INFORMATION THAT IS PROPRIETARY TO MOLEX ELECTRONIC TECHNOLOGIES, LLC AND SHOULD NOT BE USED WITHOUT WRITTEN PERMISSION

QUALITY SYMBOLS	ADD SLOT NOTE	EC NO: 101899 DRWN: MKIPPER CHKD: FSMITH APPR: FSMITH	GENERAL TOLERANCES (UNLESS SPECIFIED)		DIMENSION UNITS	SCALE							
			ANGULAR TOL ± °		MM/IN	1.5:1							
▽ = 0			4 PLACES ±	DRWN BY	DATE		EGDEMATE CONNECTOR 3.96/.156 CENTER WITHOUT HOOKS						
▽ = 0			3 PLACES ± 0.01	KSAMIEC	2013/07/30								
▽ = 0			2 PLACES ± 0.015	CHK'D BY	DATE		PRODUCT CUSTOMER DRAWING						
▽ = 0			1 PLACE ±	JBELL	2015/10/30								
▽ = 0			0 PLACES ±	APPR BY	DATE		<table border="1"> <tr> <td>SERIES</td> <td>MATERIAL NUMBER</td> <td>CUSTOMER</td> </tr> <tr> <td>172159</td> <td>SEE CHART</td> <td>GENERAL MARKET</td> </tr> </table>	SERIES	MATERIAL NUMBER	CUSTOMER	172159	SEE CHART	GENERAL MARKET
SERIES	MATERIAL NUMBER	CUSTOMER											
172159	SEE CHART	GENERAL MARKET											
▽ = 0			DRAFT WHERE APPLICABLE MUST REMAIN WITHIN DIMENSIONS	JCOMERCI	2013/11/14								
▽ = 0				DRAWING SIZE	THIRD ANGLE PROJECTION		DOCUMENT NUMBER						
▽ = 0				B			SD-172159-0000						
							DOC TYPE						
							PSD						
							DOC PART						
							000						
							SHEET NUMBER						
							2 OF 2						