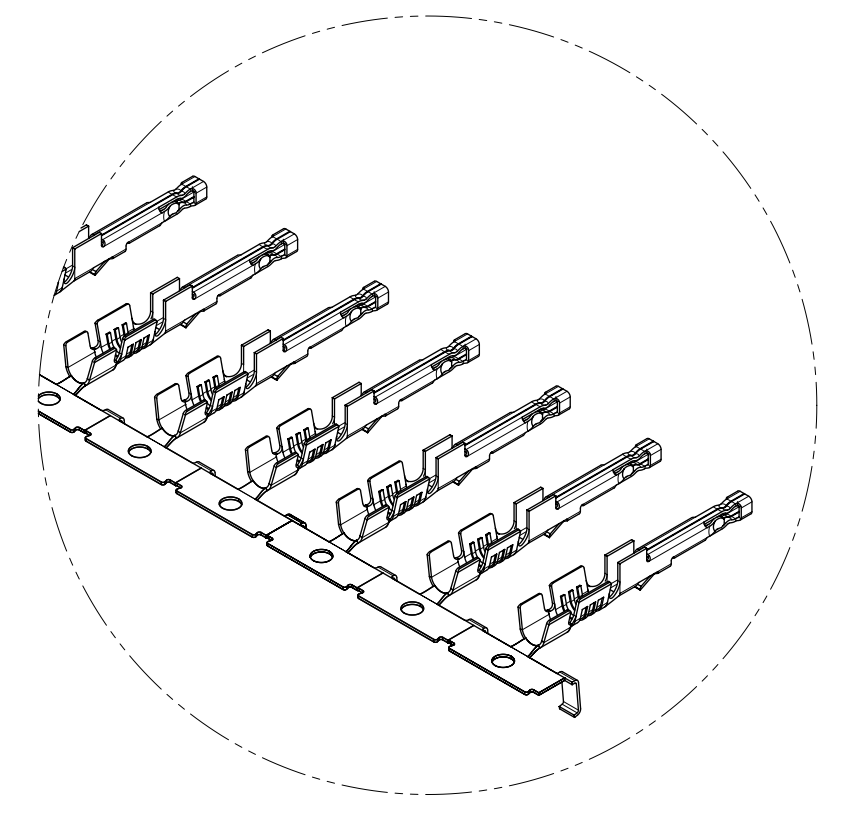
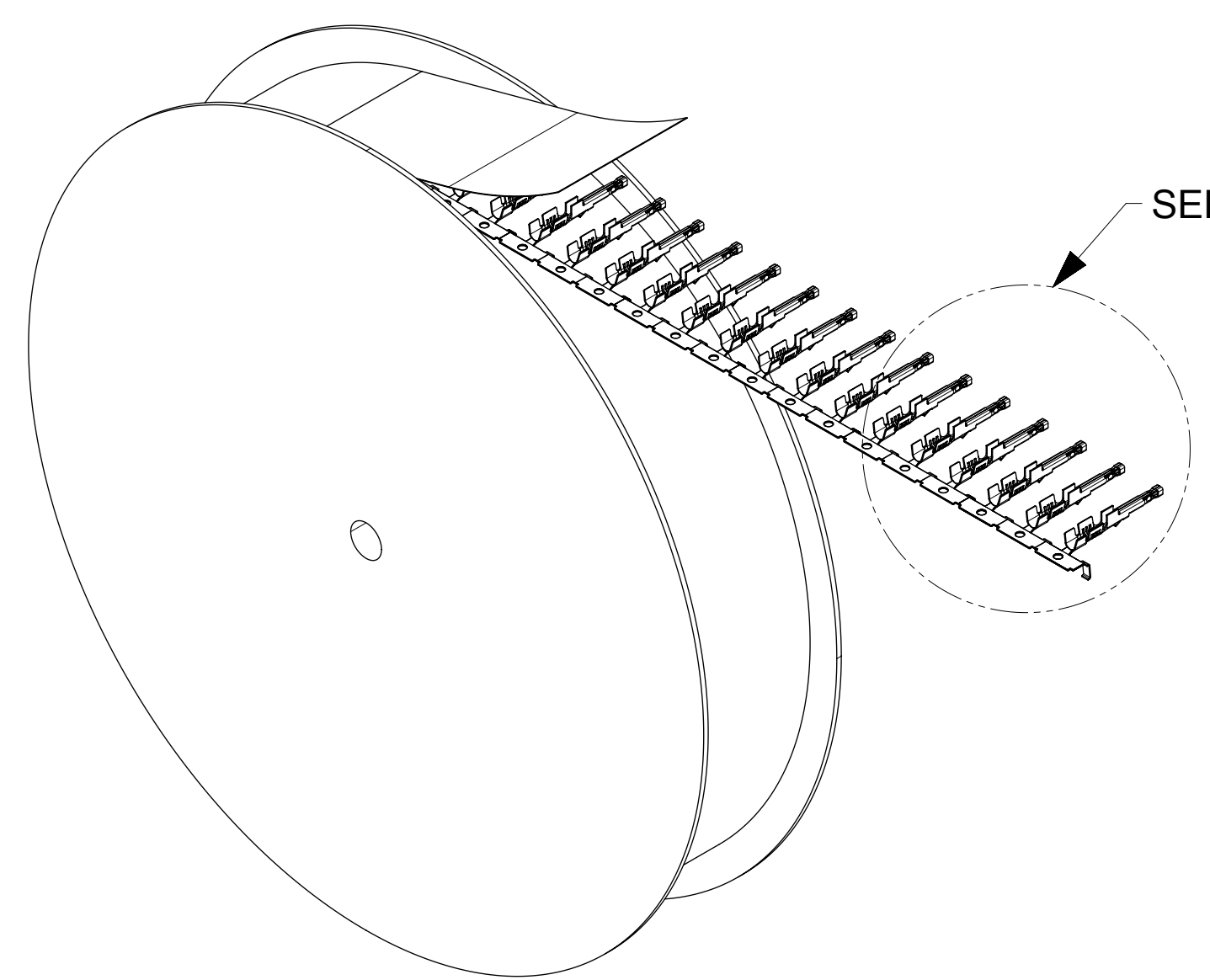
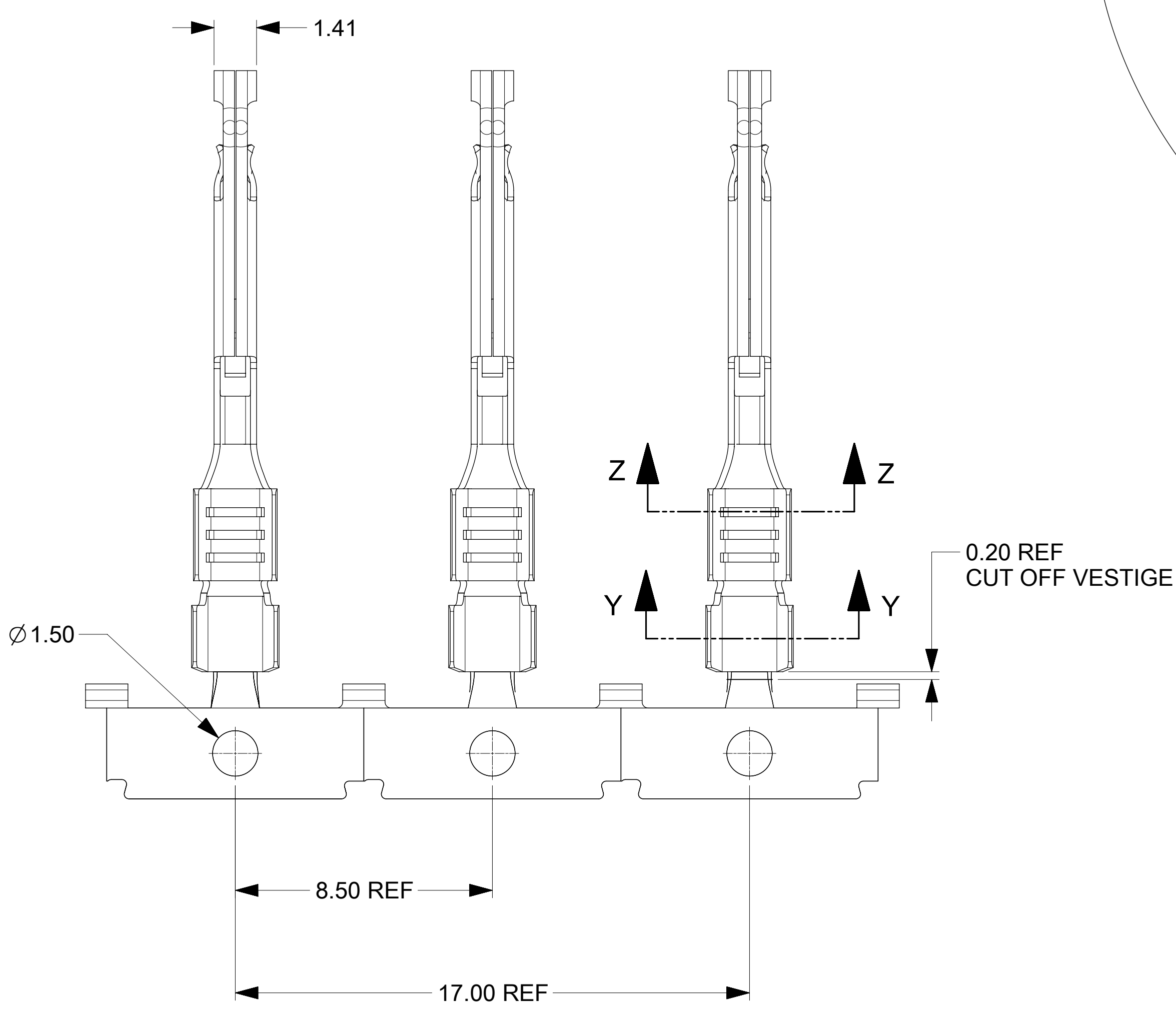
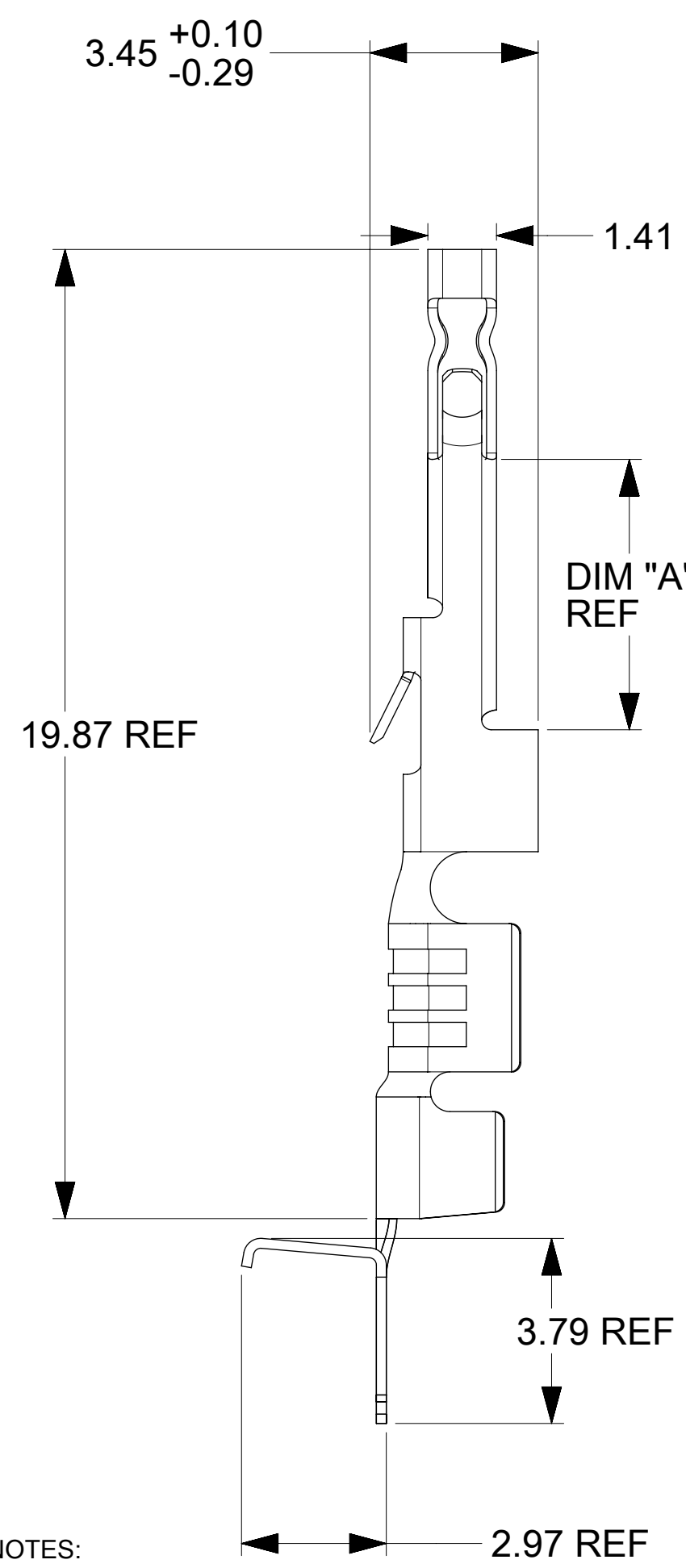
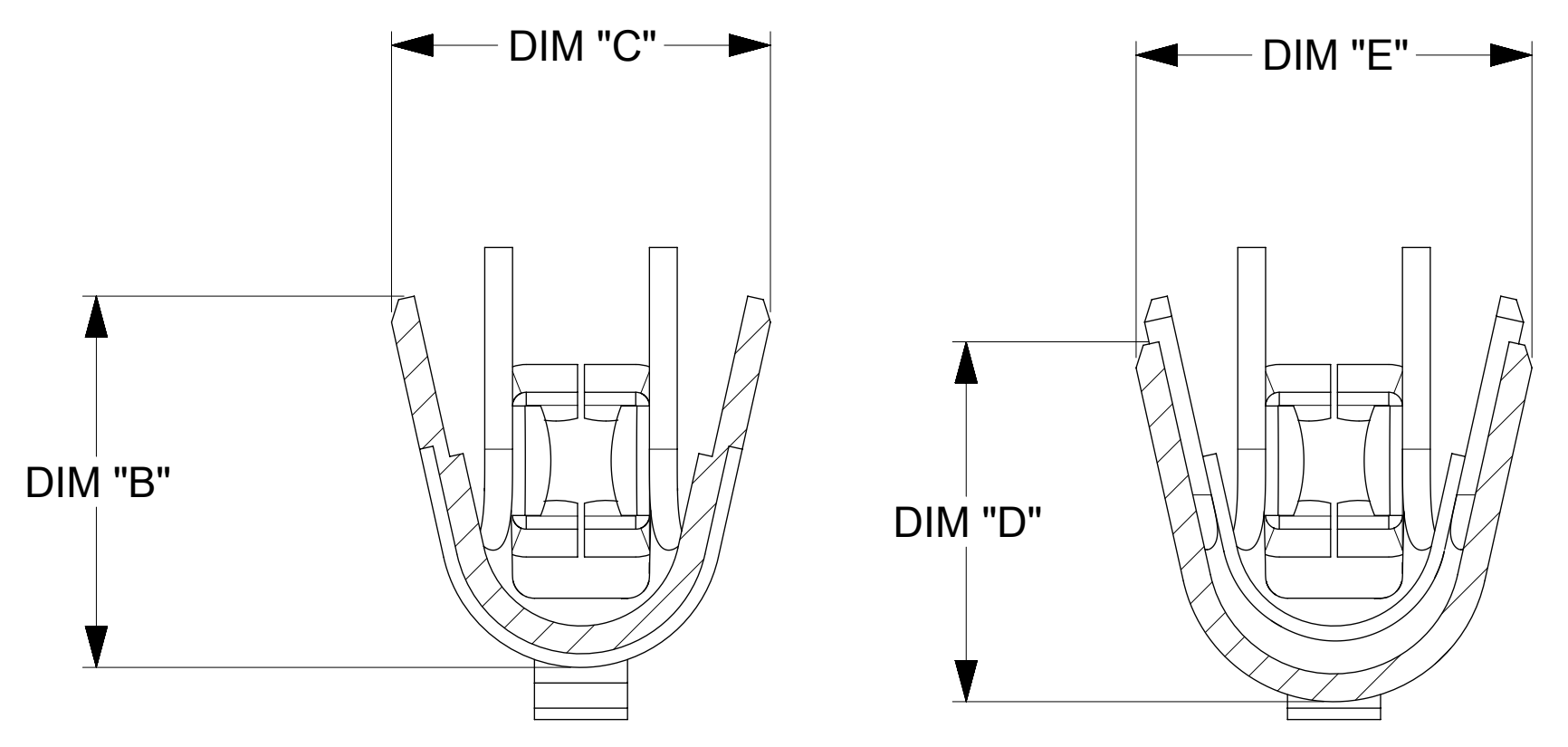


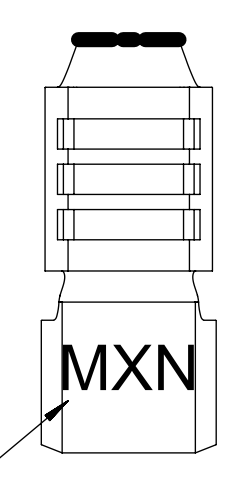
PART NUMBER	CONTACT PLATING OPTION	WIRE SIZE [AWG]	DIM A
172253-3023	TIN/NICKEL	16-18	5.54
172253-3123	TIN/NICKEL	20-22	5.54
172253-3011	15AU/NICKEL	16-18	4.54
172253-3111	15AU/NICKEL	20-22	4.54
172253-3012	30AU/NICKEL	16-18	4.54
172253-3112	30AU/NICKEL	20-22	4.54



	16-18 AWG	20-22 AWG
DIM "B"	2.71	2.16
DIM "C"	2.77	2.20
DIM "D"	2.63	2.08
DIM "E"	2.89	2.33



- NOTES:
1. MATERIAL: HIGH CONDUCTIVITY COPPER ALLOY
  2. PLATING FINISH:
    - OPTION 1 - 1.5µm(60µin)-2.5µm(100µin) TIN OVER  
1.25µm(50µin)-2.5µm(100µin) NICKEL OVERALL
    - OPTION 2 - 0.35µm(15µin) GOLD CONTACT AREA,  
1.5µm(60µin)-2.5µm(100µin) TIN CRIMP AREA OVER  
1.25µm(50µin)-2.5µm(100µin) NICKEL OVERALL
    - OPTION 3 - 0.70µm(30µin) GOLD CONTACT AREA,  
1.5µm(60µin)-2.5µm(100µin) TIN CRIMP AREA OVER  
1.25µm(50µin)-2.5µm(100µin) NICKEL OVERALL
  3. PRODUCT SPECIFICATION PS-172323-0001
  4. PACKAGING SPECIFICATION PK-172253-5101
  5. TERMINAL FOR USE WITH 172256, 172258, 172260 AND 172262 RECEPTACLE HOUSING
  6. WHEN TERMINALS ARE INSTALLED IN THE HOUSING THE WIRES ARE TO BE DRESSED IN SUCH WAY TO ALLOW THE TERMINALS TO FLOAT FREELY IN THE POCKET
  7. TERMINAL DESIGNED FOR SINGLE WIRE CRIMP
  8. PART CONFORMS TO CLASS "B" REQUIREMENTS OF COSMETIC SPECIFICATION PS-45499-002
  9. APPLICATION SPECIFICATION AS-172323-0001
  10. RECOMMENDED INSULATOR
    - 16AWG WIRE - OD 2.00MM MAX.
    - 18AWG WIRE - OD 1.70MM MAX.
    - 20AWG WIRE - OD 1.50MM MAX.
    - 22AWG WIRE - OD 1.30MM MAX.



MOLEX LOGO SCALE 8:1

QUALITY SYMBOLS	THIS DRAWING CONTAINS INFORMATION THAT IS PROPRIETARY TO MOLEX INCORPORATED AND SHOULD NOT BE USED WITHOUT WRITTEN PERMISSION		GENERAL TOLERANCES (UNLESS SPECIFIED)		DIMENSION UNITS	SCALE	molex				
▽ = 0	2016/05/24	2016/05/24	ANGULAR TOL ± °		mm	1:1	ULTRA-FIT RECEPTACLE TERMINAL FOR 16-18 AWG, 20-22AWG				
▽ = 0	DRWN BY	DATE	4 PLACES ±		DROSCA	2014/03/07					
▽ = 0	EC DESCRIPTION	CHKD: RHODGE	3 PLACES ±		CHKD BY	DATE	PRODUCT CUSTOMER DRAWING				
▽ = 0	108236	2015/09/29	2 PLACES ± 0.25		PPEREZ03	2015/11/13					
▽ = 0	DRWN: PPEREZ	APPR: RHODGE	1 PLACE ±		APPR BY	DATE	SERIES MATERIAL NUMBER CUSTOMER				
▽ = 0	172253	2014/04/24	0 PLACES ±		JCOMERCI	2014/04/24				172253	SEE CHART
▽ = 0	EC NO. 108236	CHKD: RHODGE	DRAFT WHERE APPLICABLE MUST REMAIN WITHIN DIMENSIONS		DRAWING SIZE	THIRD ANGLE PROJECTION	DOCUMENT NUMBER		DOC TYPE	DOC PART	SHEET NUMBER
▽ = 0	C8	REVIS	D		D	⊕	SD-172253-1000		PSD	000	1 OF 1

RELEASE STATUS	P1	RELEASE DATE	2016/05/24	17:04:49
19	18	17	16	15