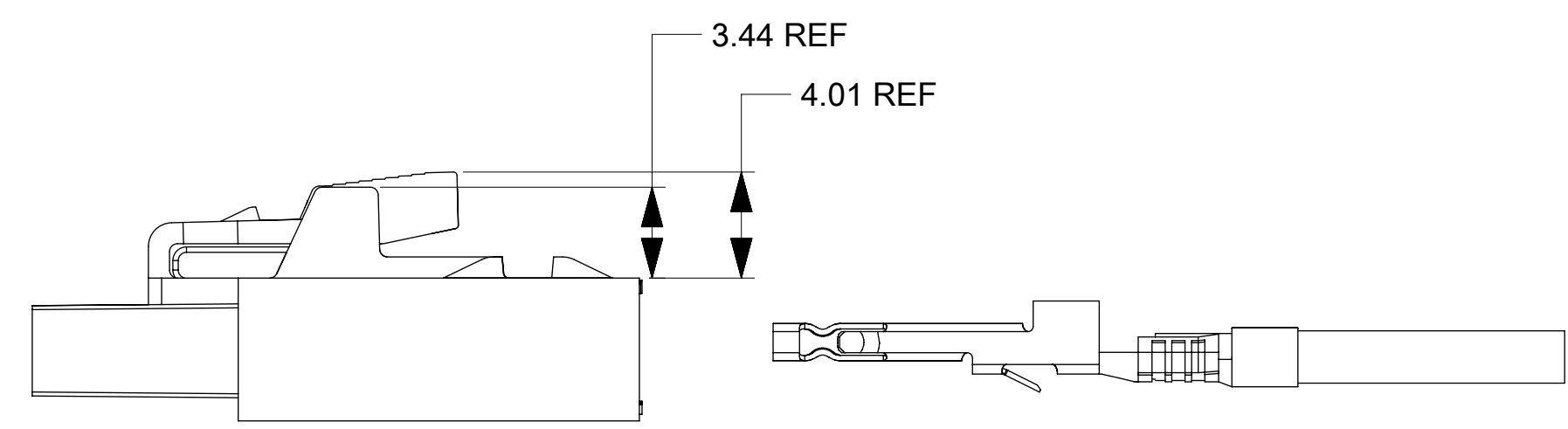
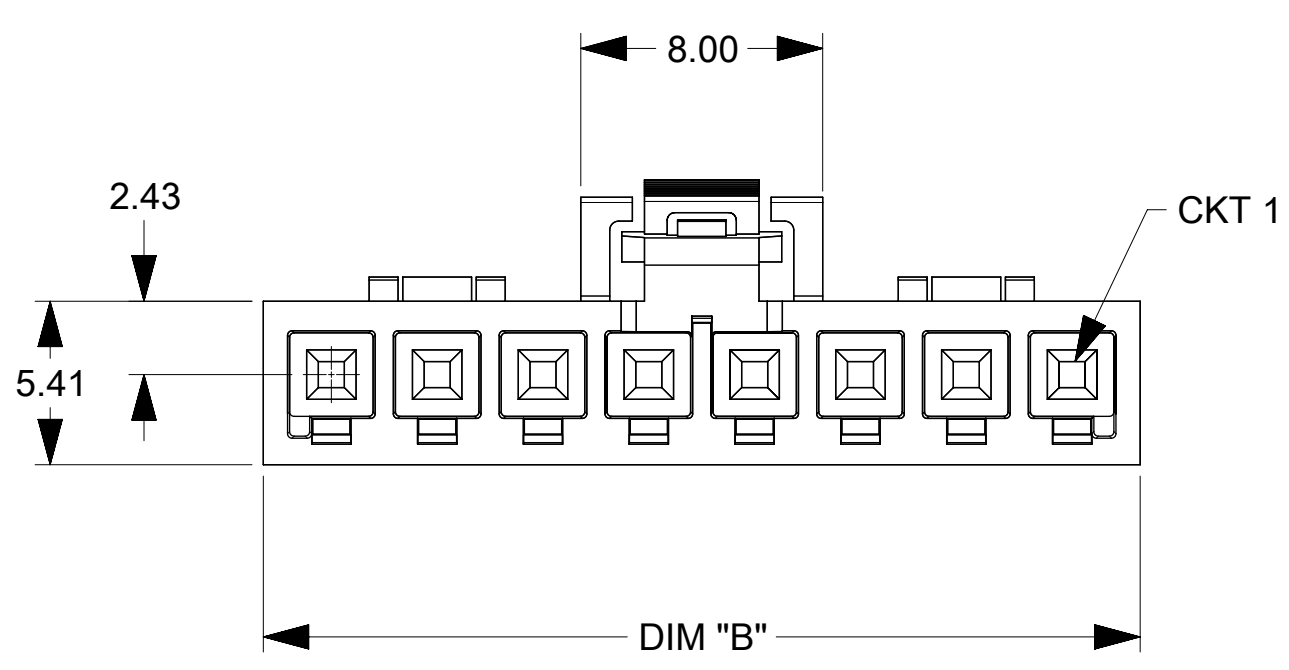
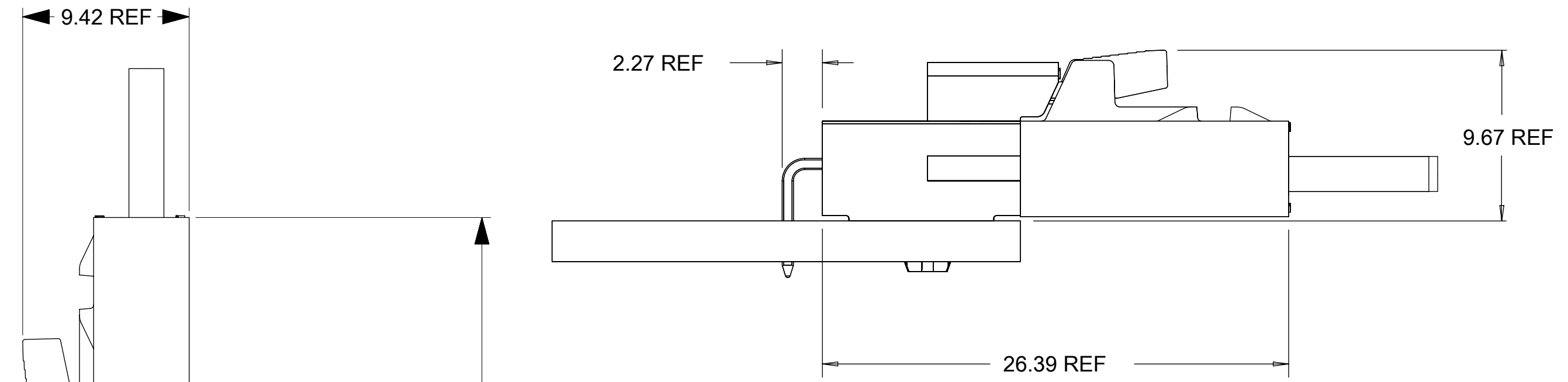


WITH TPA  
FEATURE  
SCALE 2:1

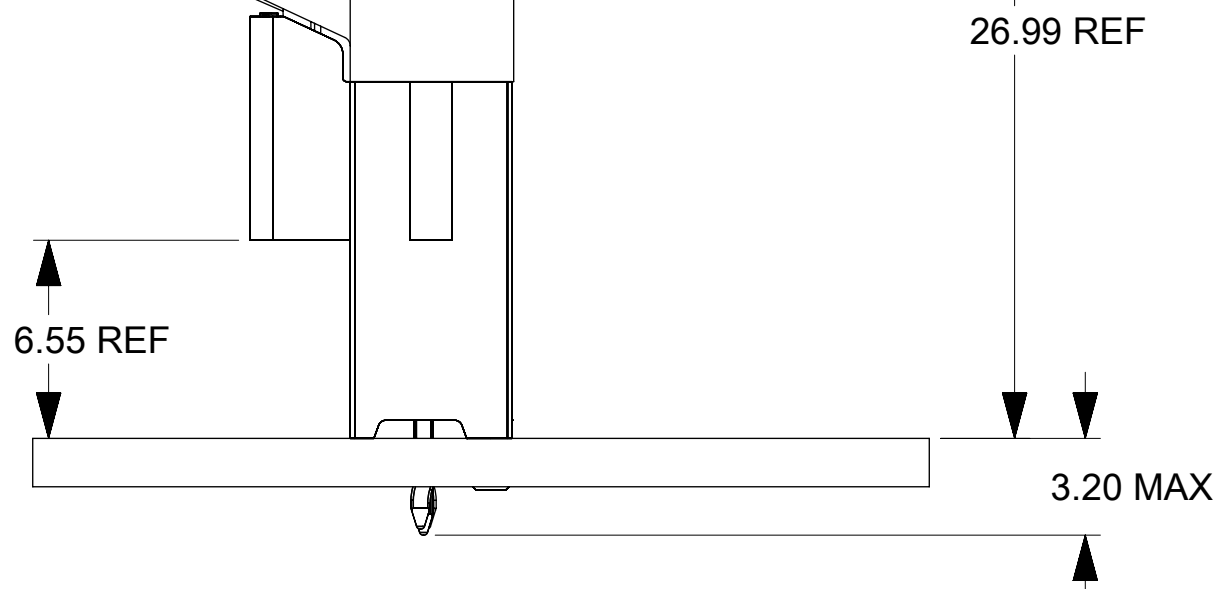


TERMINAL ORIENTATION

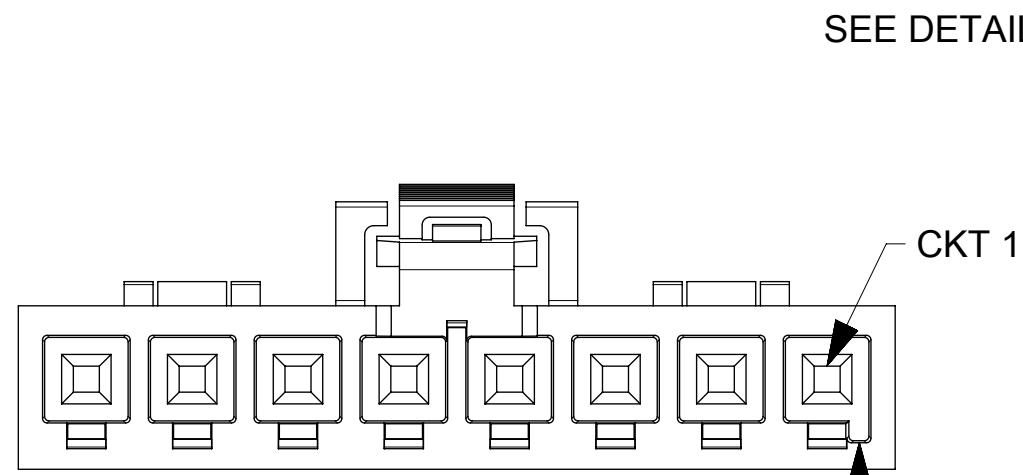


NOTES:

1. MATERIAL :  
OPTION 1: NYLON UL94 V-O BLACK  
OPTION 2: NYLON UL94 V-O NATURAL
2. PARTS TO BE PACKAGED PER PK-172323-0010
3. PRODUCT SPECIFICATION PS-172323-0001
4. PART MATES WITH MOLEX R/A HEADER ASSEMBLY 172310 AND VERTICAL HEADER ASSEMBLY 172286, 172287 SERIES
5. TO USE WITH 172253 SERIES TERMINALS
6. TO USE WITH 172264 TPA
7. PARTS CONFORM TO CLASS "B" REQUIREMENTS OF COSMETIC SPECIFICATION PS-45499-002
8. APPLICATION SPECIFICATION AS-172323-0001



QUALITY SYMBOLS		THIS DRAWING CONTAINS INFORMATION THAT IS PROPRIETARY TO MOLEX ELECTRONIC TECHNOLOGIES, LLC AND SHOULD NOT BE USED WITHOUT WRITTEN PERMISSION		DIMENSION UNITS		SCALE		<b>molex</b>	
▽ = 0	▽ = 0	GENERAL TOLERANCES (UNLESS SPECIFIED)		mm	4:1	DRWN BY DATE			
▽ = 0	▽ = 0	ANGULAR TOL ± °		DROSCA		2015/04/13		ULTRA-FIT RECEPTACLE 2-8 CKTS SINGLE ROW	
▽ = 0	▽ = 0	4 PLACES ±		CHKD BY DATE		RHODGE		2016/04/05	
▽ = 0	▽ = 0	3 PLACES ±		APPR BY DATE		SERIES MATERIAL NUMBER CUSTOMER		PRODUCT CUSTOMER DRAWING	
▽ = 0	▽ = 0	2 PLACES ± 0.25		DRAWING SIZE THIRD ANGLE PROJECTION		172256 SEE CHART GENERAL MARKET		DOCUMENT NUMBER DOC TYPE DOC PART SHEET NUMBER	
▽ = 0	▽ = 0	1 PLACE ± 0.5		C		SD-172256-0001 PSD 000		1 OF 2	
▽ = 0	▽ = 0	0 PLACES ±		DRAFT WHERE APPLICABLE MUST REMAIN WITHIN DIMENSIONS					
⊠ = 0	■ = 0	REMOVE CHART							
▽ = 0	▽ = 0	EC NO: 119586							
		DRWN: JQUILES							
		CHKD: FSMITH							
		REV: APPR: 2017/08/16							
		A9							



KEY OPTION - BLACK COLOR

(KEY A)

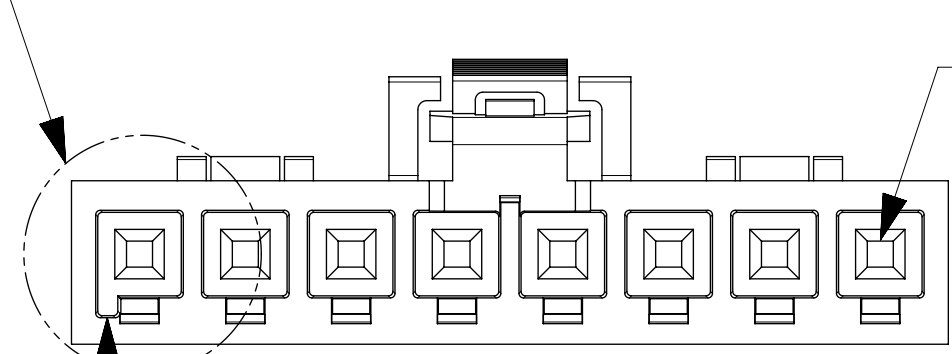
172256-1 \*\*\*

CIRCUIT SIZE

1 - WITH TPA

SEE DETAIL 1

CKT 1



KEY OPTION - NATURAL COLOR

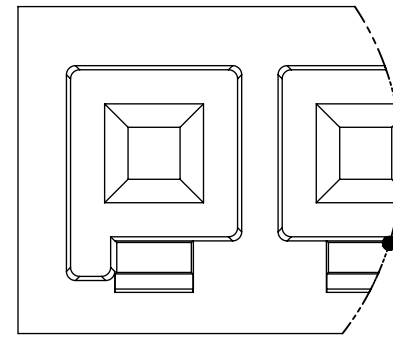
(KEY B)

172256-2 \*\*\*

CIRCUIT SIZE

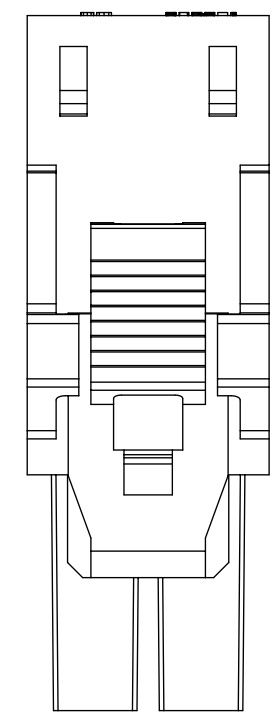
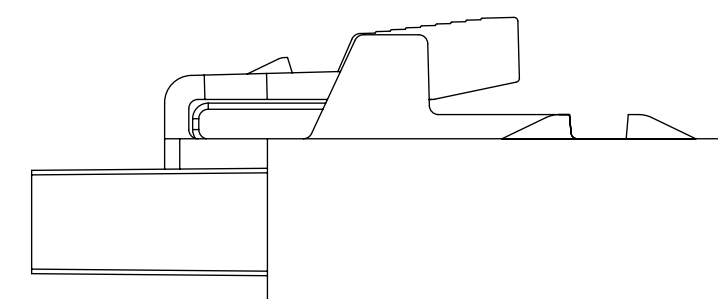
1 - WITH TPA

CKT 1

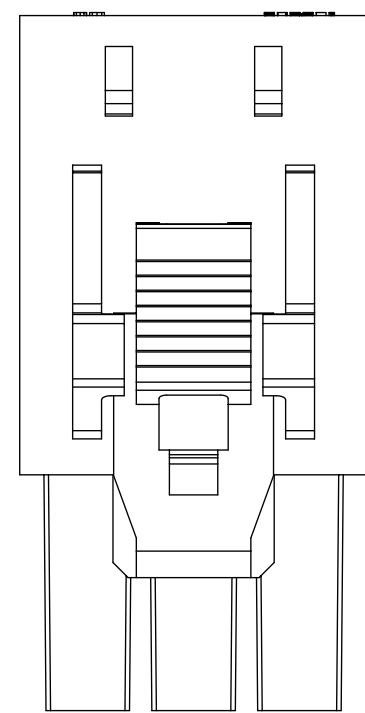


DETAIL 1

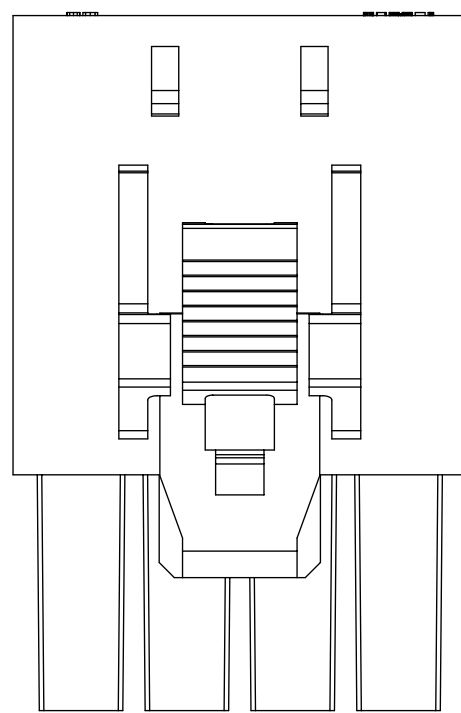
SCALE 8:1



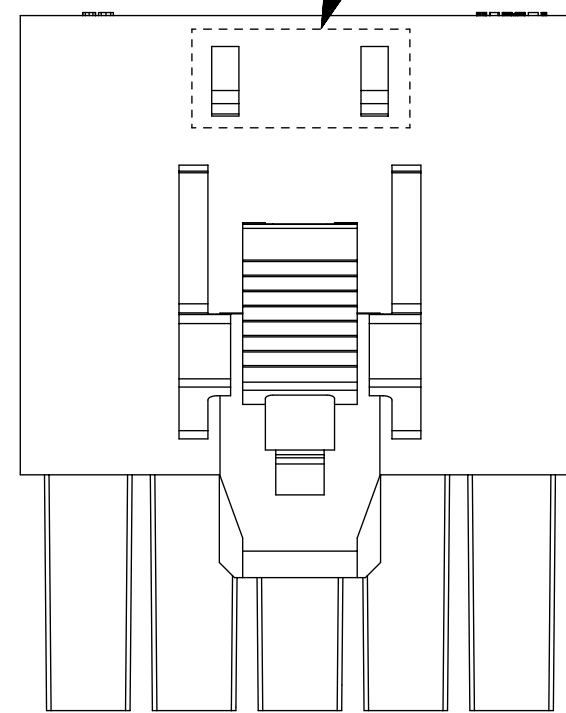
2 CKT



3 CKT

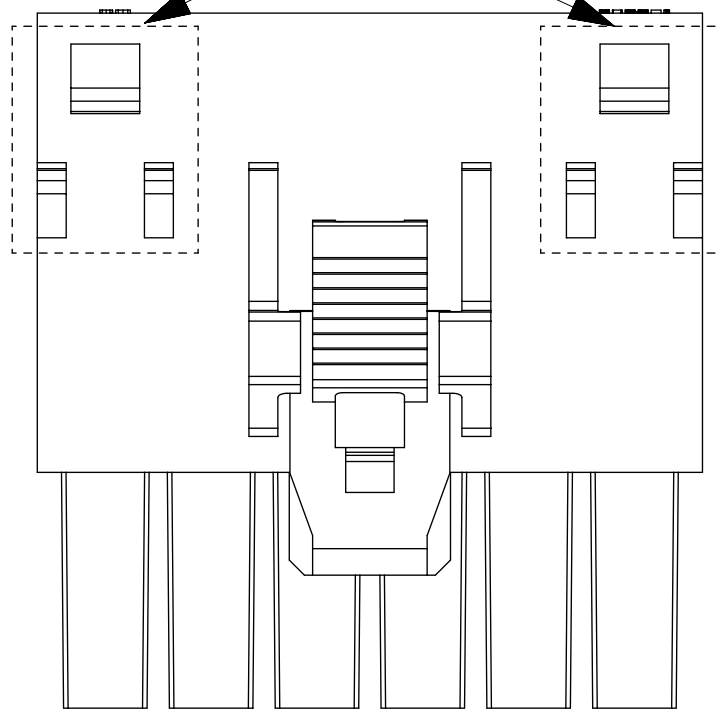


4 CKT

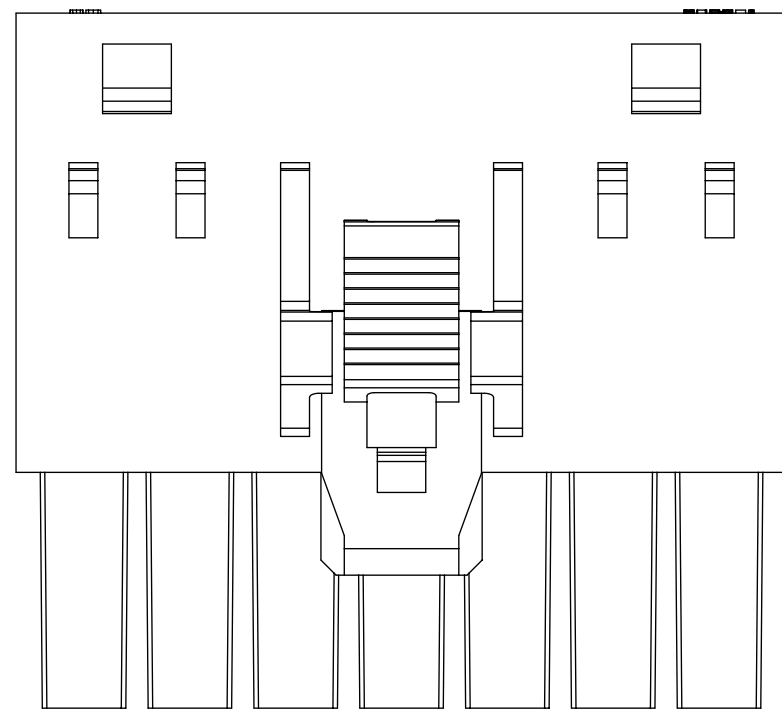


5 CKT

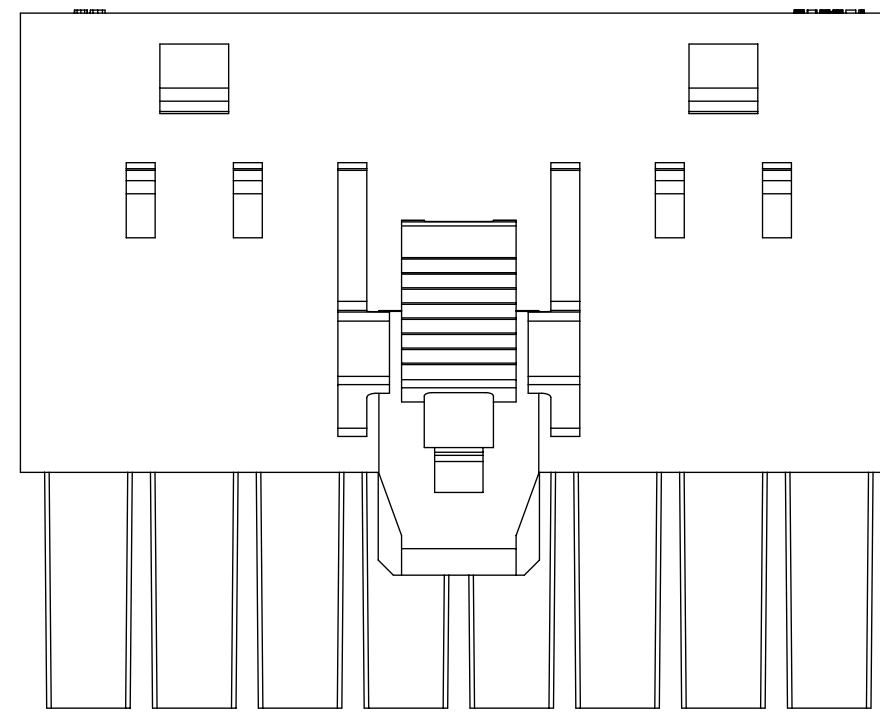
TPA FEATURE



6 CKT



7 CKT



8 CKT

TPA LATCH OPTION

WITH TPA ATTACH FEATURE					
PART NO.	UL	COLOR	CIRCUIT SIZE	KEY OPTION	DIM B
172256-1102	V-0	BLACK	2	KEY A	8.00
172256-1103	V-0	BLACK	3	KEY A	11.50
172256-1104	V-0	BLACK	4	KEY A	15.00
172256-1105	V-0	BLACK	5	KEY A	18.50
172256-1106	V-0	BLACK	6	KEY A	22.00
172256-1107	V-0	BLACK	7	KEY A	25.50
172256-1108	V-0	BLACK	8	KEY A	29.00
172256-2102	V-0	NATURAL	2	KEY B	8.00
172256-2103	V-0	NATURAL	3	KEY B	11.50
172256-2104	V-0	NATURAL	4	KEY B	15.00
172256-2105	V-0	NATURAL	5	KEY B	18.50
172256-2106	V-0	NATURAL	6	KEY B	22.00
172256-2107	V-0	NATURAL	7	KEY B	25.50
172256-2108	V-0	NATURAL	8	KEY B	29.00

QUALITY SYMBOLS ▽ = 0 ▽ = 0 ▽ = 0 ▼ = 0 ▽ = 0 ⊠ = 0 ■ = 0 ▽ = 0	REMOVE CHART EC NO: 119586 DRWN: JUILLES CHKD: REV APPR:	THIS DRAWING CONTAINS INFORMATION THAT IS PROPRIETARY TO MOLEX ELECTRONIC TECHNOLOGIES, LLC AND SHOULD NOT BE USED WITHOUT WRITTEN PERMISSION 2017/08/08 2017/08/16 FSMITH	GENERAL TOLERANCES (UNLESS SPECIFIED) DIMENSION UNITS: mm SCALE: 4:1			
			ANGULAR TOL ± ° 4 PLACES ± 3 PLACES ± 2 PLACES ± 0.25 1 PLACE ± 0.5 0 PLACES ±		DRWN BY: DROSCA DATE: 2015/04/13 CHKD BY: DATE:	ULTRA-FIT RECEPTACLE 2-8 CKTS SINGLE ROW
			DRAFT WHERE APPLICABLE MUST REMAIN WITHIN DIMENSIONS		APPR BY: RHODGE DATE: 2016/04/05	PRODUCT CUSTOMER DRAWING
			DRAWING SIZE: C THIRD ANGLE PROJECTION		SERIES: 172256 MATERIAL NUMBER: SEE CHART CUSTOMER: GENERAL MARKET	DOCUMENT NUMBER: SD-172256-0001 DOC TYPE: PSD DOC PART: 000 SHEET NUMBER: 2 OF 2