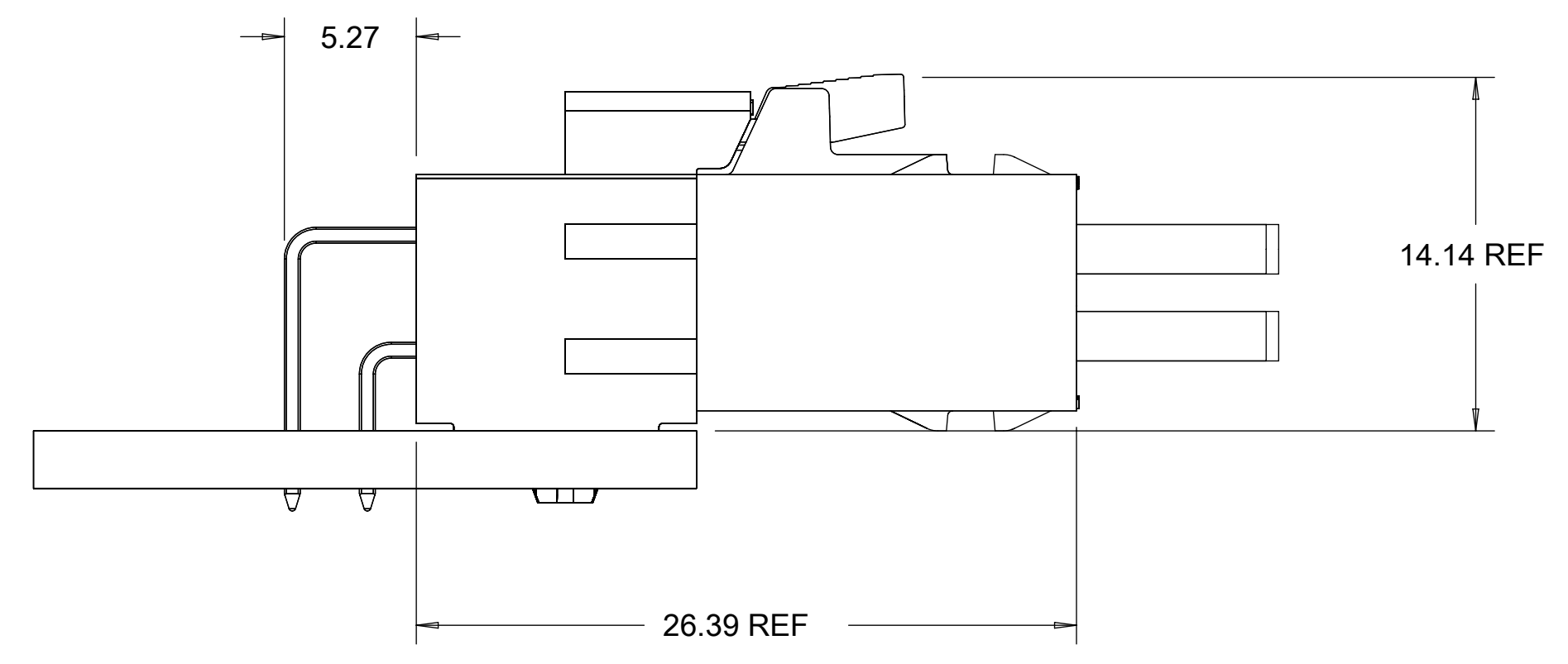
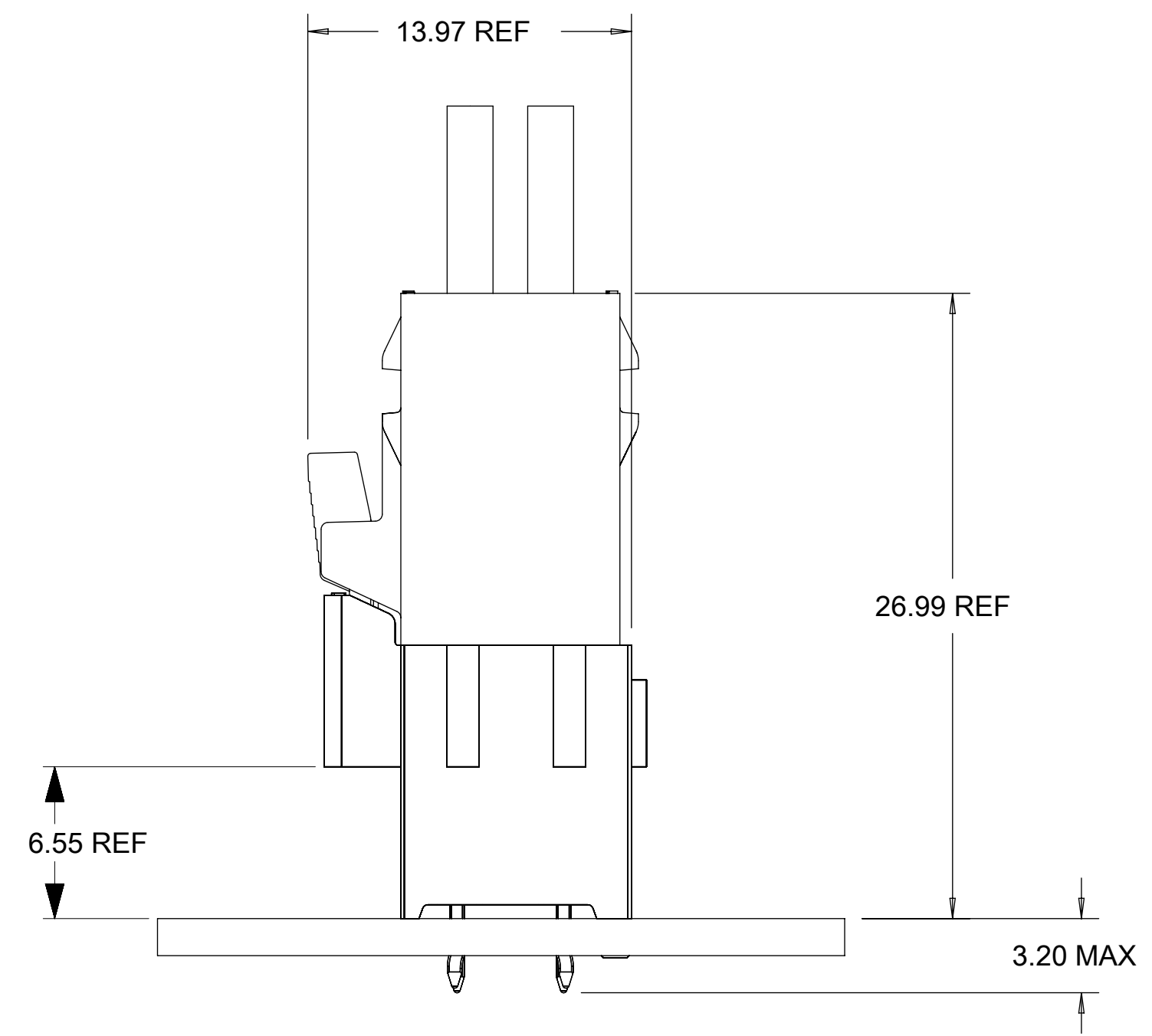


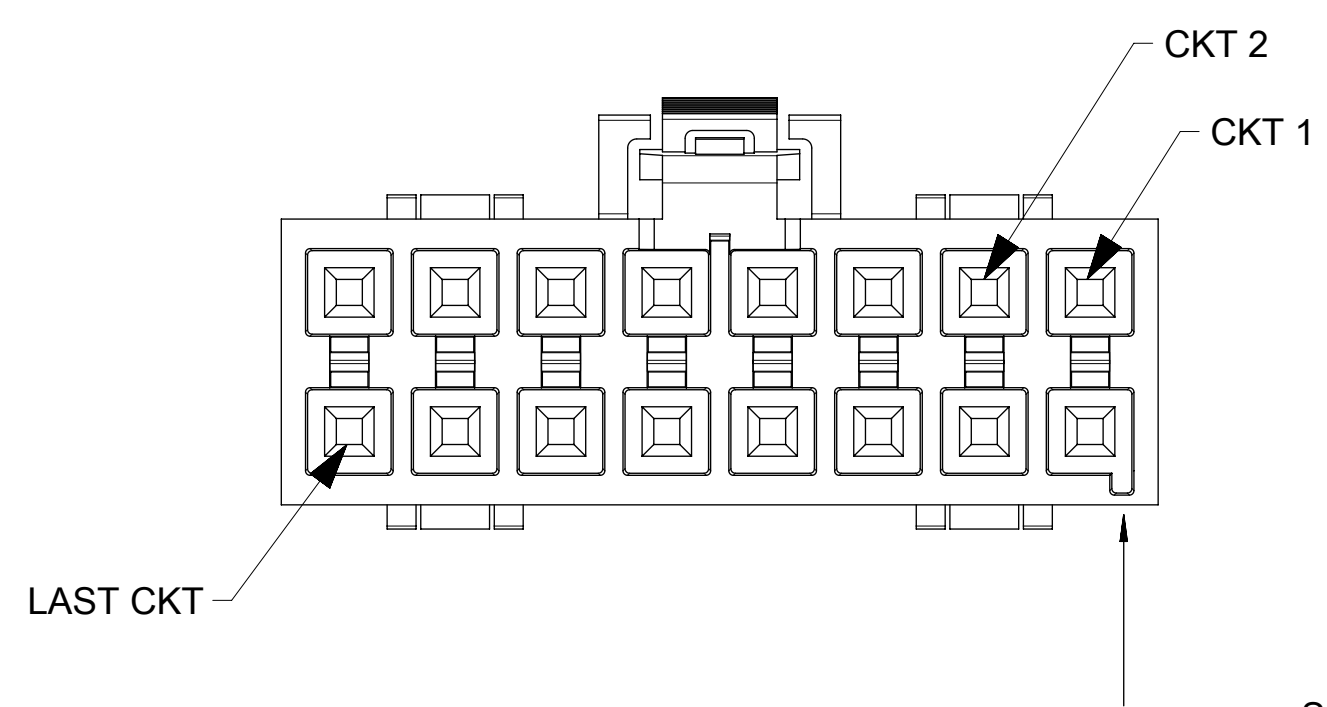
WITH TPA  
FEATURE  
SCALE 2:1



NOTES:

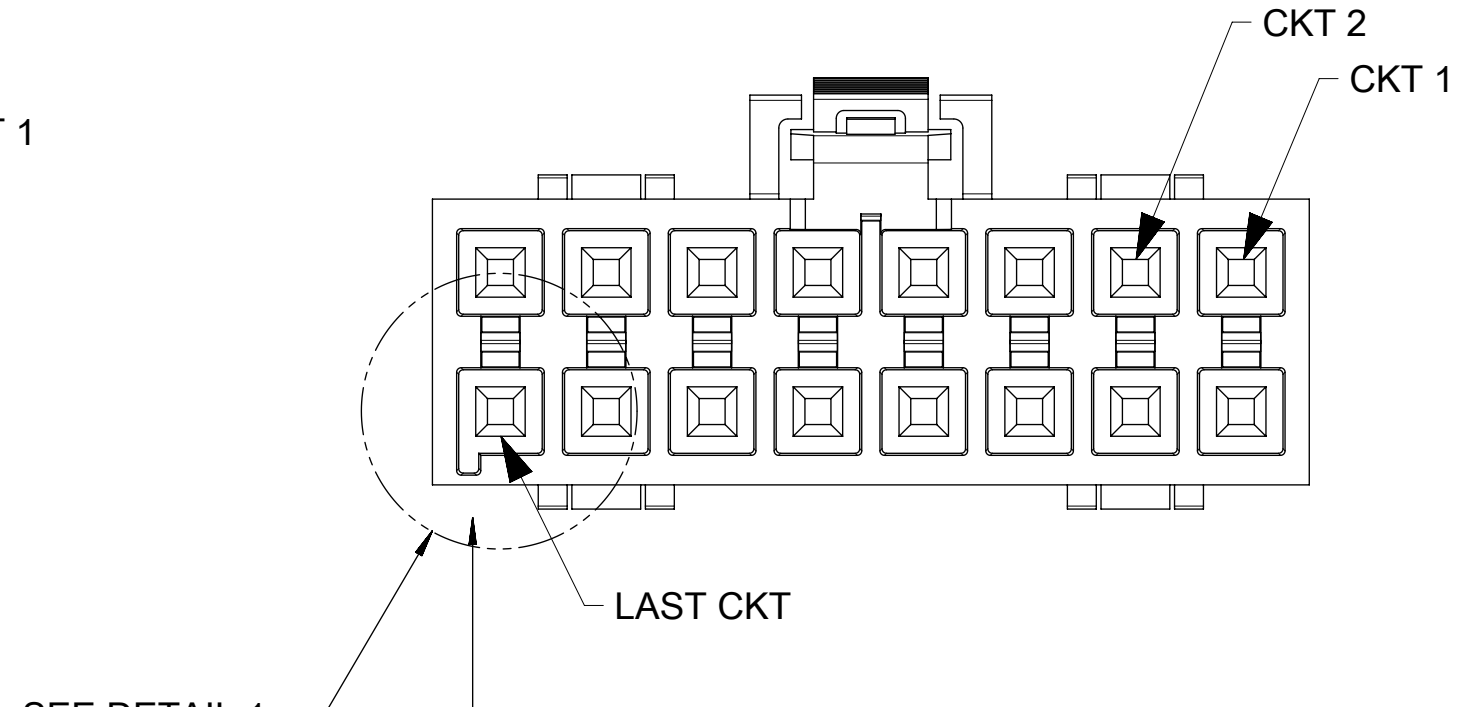
1. MATERIAL :  
OPTION 1: NYLON UL94 V-O BLACK  
OPTION 2: NYLON UL94 V-O NATURAL
2. PARTS TO BE PACKAGED PER PK-172323-0010
3. PRODUCT SPECIFICATION PS-172323-0001
4. PART MATES WITH MOLEX R/A HEADER ASSEMBLY 172316 AND VERTICAL HEADER ASSEMBLY 172298, 172299 SERIES.
5. TO USE WITH TERMINAL 172253 SERIES
6. TO USE WITH 172264 TPA
7. PARTS CONFORM TO CLASS "B" REQUIREMENTS OF COSMETIC SPECIFICATION PS-45499-002
8. APPLICATION SPECIFICATION: AS-172323-0001

QUALITY SYMBOLS F = 0 E = 0 E = 0 = 0 C = 0 X = 0 = 0 = 0	THIS DRAWING CONTAINS INFORMATION THAT IS PROPRIETARY TO MOLEX ELECTRONIC TECHNOLOGIES, LLC AND SHOULD NOT BE USED WITHOUT WRITTEN PERMISSION				DIMENSION UNITS <b>mm</b>		SCALE <b>4:1</b>							
	EC NO: 104752 DRWN: PPerez03 CHKD: RHODGE REV APPR: RHODGE		2016/03/30 2016/05/04 2016/03/30		GENERAL TOLERANCES (UNLESS SPECIFIED) ANGULAR TOL ± °		DRWN BY <b>DROSCA</b>						DATE <b>2014/03/07</b>	
	4 PLACES ± 3 PLACES ± 2 PLACES ± 0.25 1 PLACE ± 0.5 0 PLACES ±		DRAFT WHERE APPLICABLE MUST REMAIN WITHIN DIMENSIONS		APPR BY <b>RHODGE</b>		DATE <b>2014/10/14</b>		CHKD BY DATE		PRODUCT CUSTOMER DRAWING			
	A8		D		THIRD ANGLE PROJECTION		SERIES <b>172258</b>		MATERIAL NUMBER <b>SEE CHART</b>		CUSTOMER <b>GENERAL MARKET</b>			
RELEASE STATUS <b>P1</b>		RELEASE DATE <b>2016/05/04 22:23:09</b>		DOCUMENT NUMBER <b>SD-172258-0001</b>		DOC TYPE <b>PSD</b>		DOC PART <b>000</b>		SHEET NUMBER <b>1 OF 2</b>				



KEY OPTION - BLACK COLOR  
(KEY A)  
172258-1\*\*\*

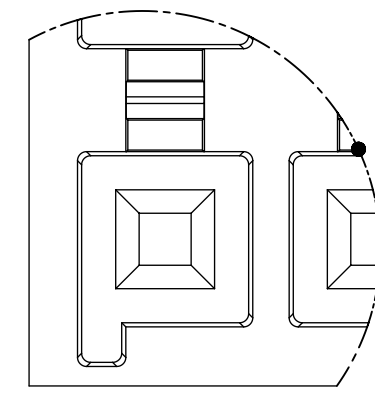
CIRCUIT SIZE  
1 - WITH TPA



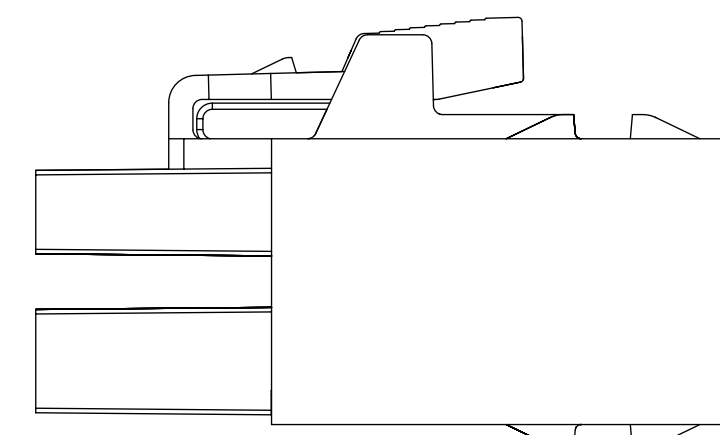
SEE DETAIL 1

KEY OPTION - NATURAL COLOR  
(KEY B)  
172258-2\*\*\*

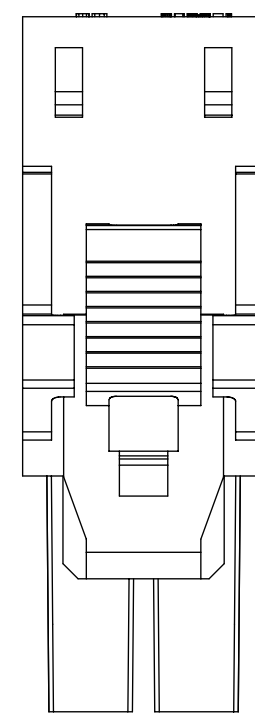
CIRCUIT SIZE  
1 - WITH TPA



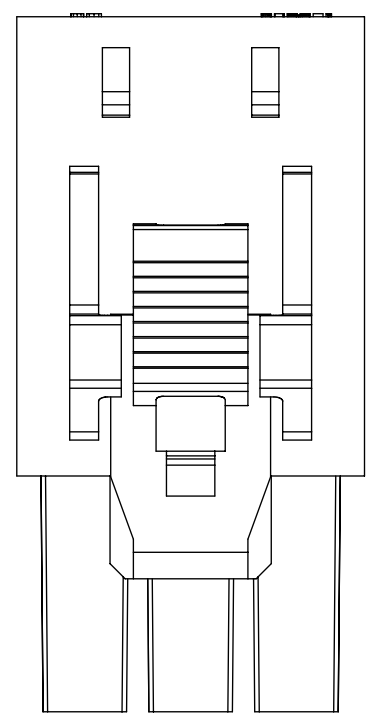
DETAIL 1  
SCALE 8:1



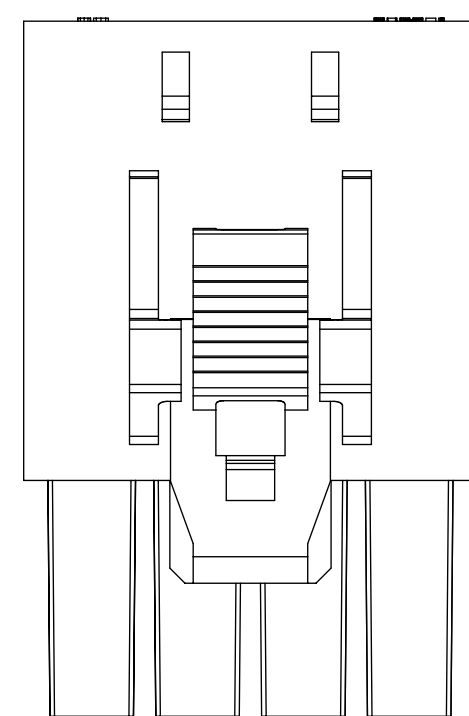
TPA FEATURE  
BOTH SIDES



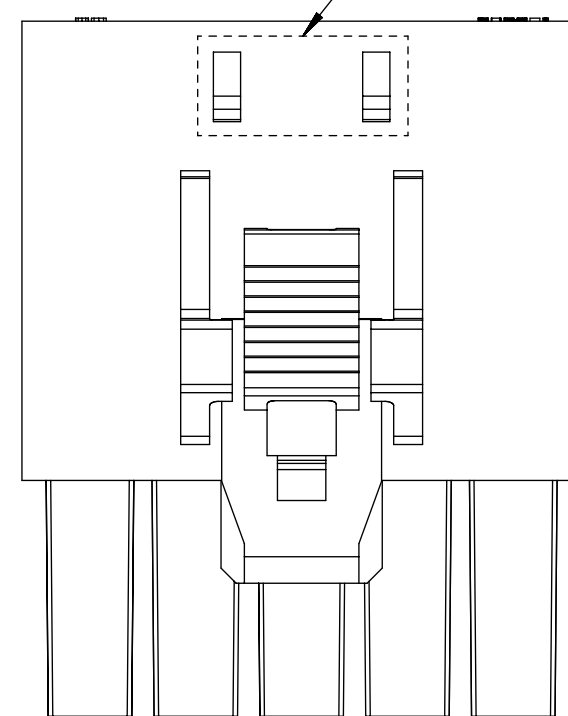
4 CKT



6 CKT

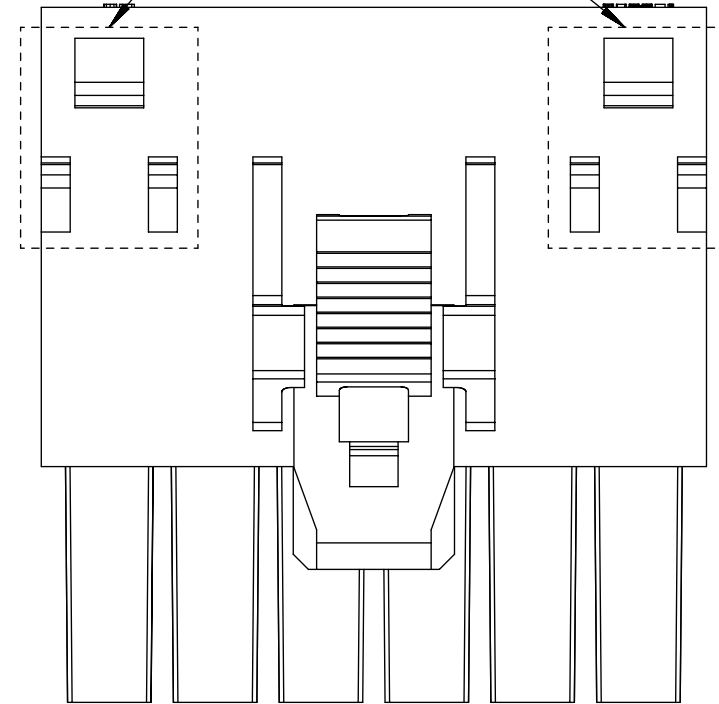


8 CKT

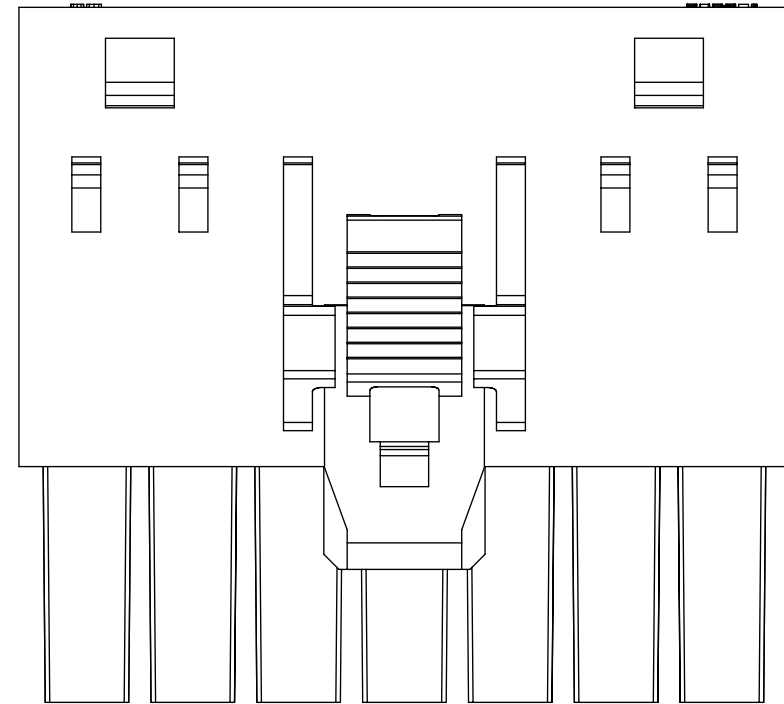


10 CKT

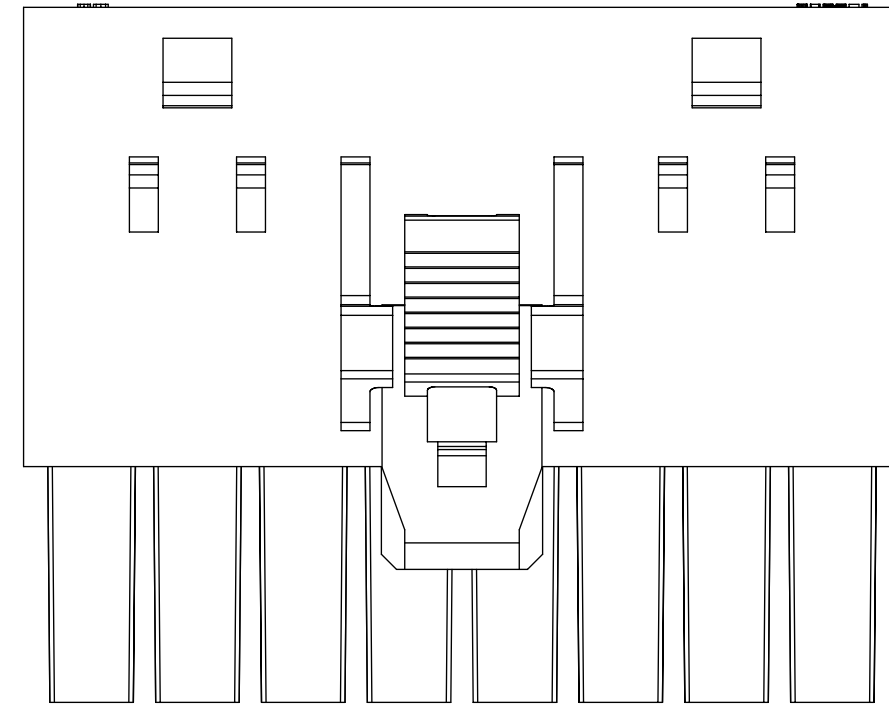
TPA FEATURE  
BOTH SIDES



12 CKT



14 CKT



16 CKT

TPA LATCH OPTION

WITH TPA ATTACH FEATURE					
PART NO.	UL	COLOR	CIRCUIT SIZE	KEY OPTION	DIM B
172258-1104	V-0	BLACK	4	KEY A	8.00
172258-1106	V-0	BLACK	6	KEY A	11.50
172258-1108	V-0	BLACK	8	KEY A	15.00
172258-1110	V-0	BLACK	10	KEY A	18.50
172258-1112	V-0	BLACK	12	KEY A	22.00
172258-1114	V-0	BLACK	14	KEY A	25.50
172258-1116	V-0	BLACK	16	KEY A	29.00
172258-2104	V-0	NATURAL	4	KEY B	8.00
172258-2106	V-0	NATURAL	6	KEY B	11.50
172258-2108	V-0	NATURAL	8	KEY B	15.00
172258-2110	V-0	NATURAL	10	KEY B	18.50
172258-2112	V-0	NATURAL	12	KEY B	22.00
172258-2114	V-0	NATURAL	14	KEY B	25.50
172258-2116	V-0	NATURAL	16	KEY B	29.00

<b>QUALITY SYMBOLS</b> F = 0 E = 0 E = 0 ▽ = 0 C = 0 ⊠ = 0 ■ = 0 ▽ = 0	THIS DRAWING CONTAINS INFORMATION THAT IS PROPRIETARY TO MOLEX ELECTRONIC TECHNOLOGIES, LLC AND SHOULD NOT BE USED WITHOUT WRITTEN PERMISSION		DIMENSION UNITS <b>mm</b>		SCALE <b>4:1</b>					
	GENERAL TOLERANCES (UNLESS SPECIFIED) ANGULAR TOL ± °		DRWN BY <b>DROSCA</b>		DATE <b>2014/03/07</b>					<b>ULTRA-FIT RECEPTACLE 4-16CKTS DUAL ROW</b>
	4 PLACES ± 3 PLACES ± 2 PLACES ± 0.25 1 PLACE ± 0.5 0 PLACES ±		CHKD BY <b>RHODGE</b>		DATE <b>2014/10/14</b>		<b>PRODUCT CUSTOMER DRAWING</b>			
	DRAFT WHERE APPLICABLE MUST REMAIN WITHIN DIMENSIONS		APPR BY <b>RHODGE</b>		DATE <b>2014/10/14</b>					SERIES MATERIAL NUMBER CUSTOMER <b>172258 SEE CHART GENERAL MARKET</b>
<b>A8</b>		EC NO: 104752 DRWN: PPerez03 CHKD: RHODGE REV APPR: RHODGE		DIMENSION UNITS <b>D</b>		THIRD ANGLE PROJECTION		DOCUMENT NUMBER DOC TYPE DOC PART SHEET NUMBER <b>SD-172258-0001 PSD 000 2 OF 2</b>		