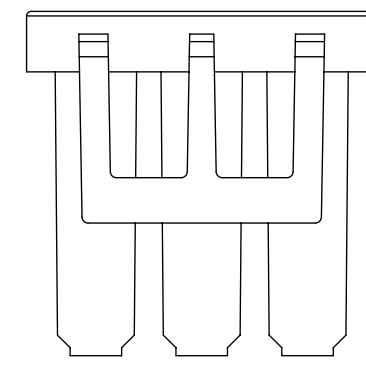
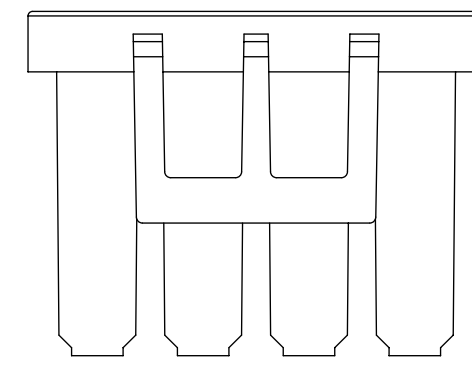


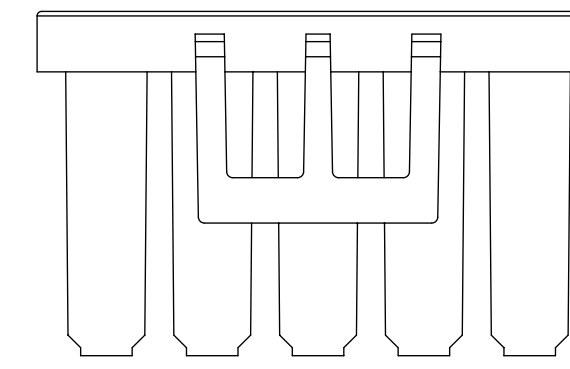
2 CKT



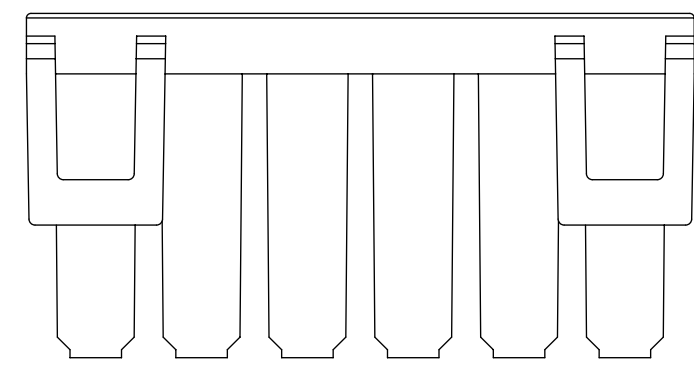
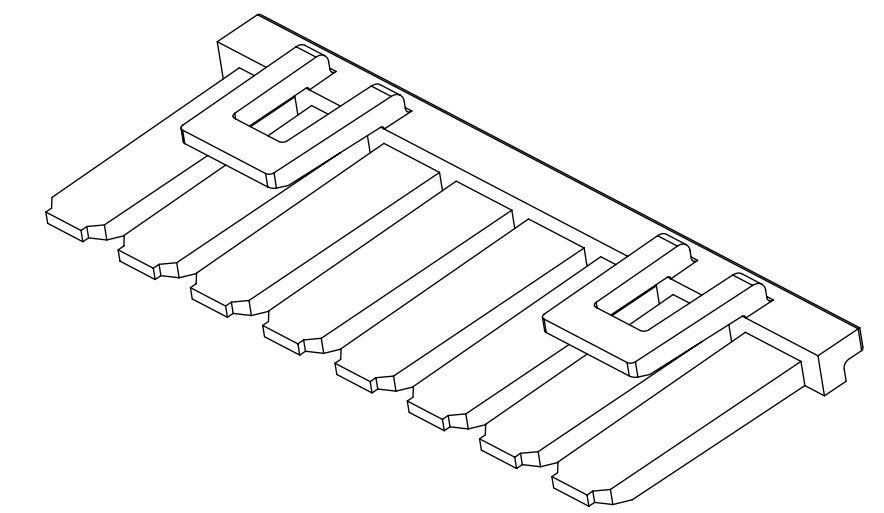
3 CKT



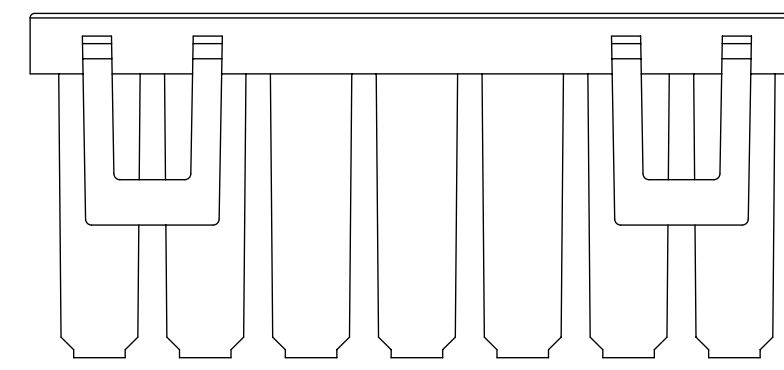
4 CKT



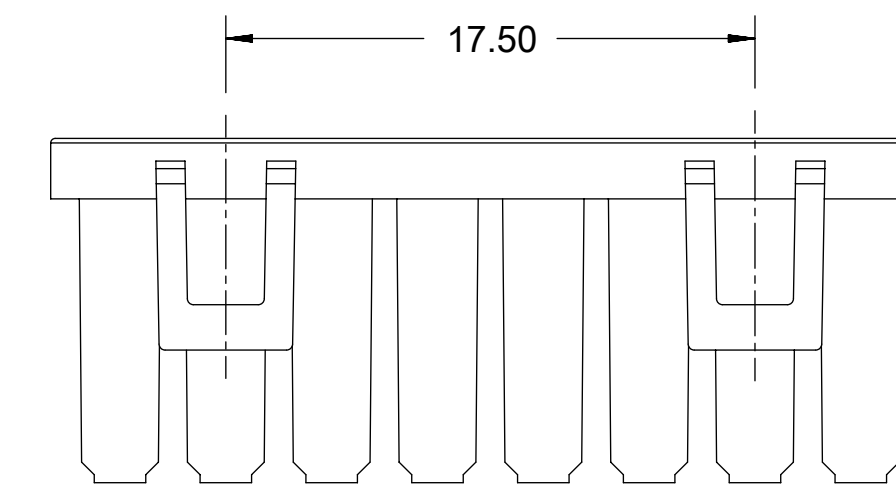
5 CKT



6 CKT



7 CKT



8 CKT

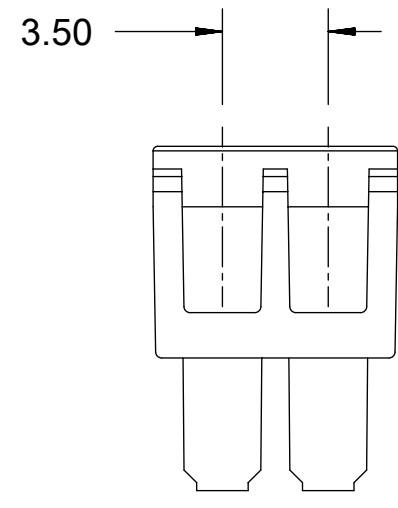
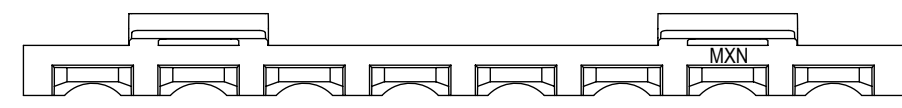
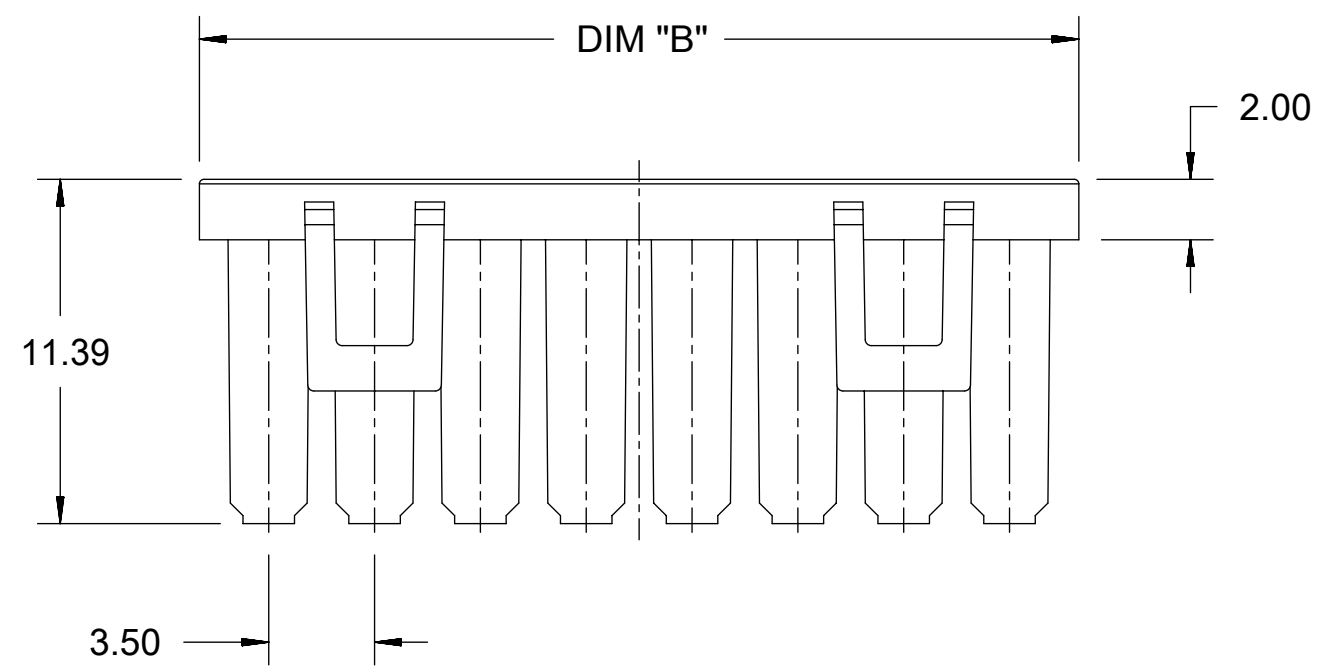
TPA

PART NO.	UL	COLOR	CIRCUIT SIZE	DIM B
172264-1002	V-0	BLACK	2	8.08
172264-1003	V-0	BLACK	3	11.58
172264-1004	V-0	BLACK	4	15.08
172264-1005	V-0	BLACK	5	18.58
172264-1006	V-0	BLACK	6	22.08
172264-1007	V-0	BLACK	7	25.58
172264-1008	V-0	BLACK	8	29.20
172264-2002	V-0	NATURAL	2	8.08
172264-2003	V-0	NATURAL	3	11.58
172264-2004	V-0	NATURAL	4	15.08
172264-2005	V-0	NATURAL	5	18.58
172264-2006	V-0	NATURAL	6	22.08
172264-2007	V-0	NATURAL	7	25.58
172264-2008	V-0	NATURAL	8	29.20

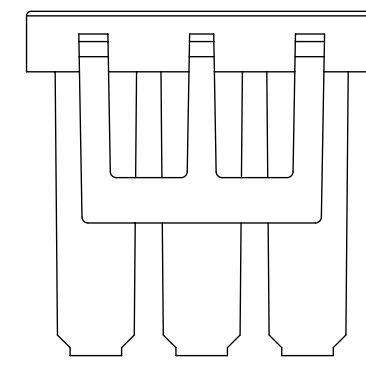
NOTES:

- MATERIAL :  
OPTION 1: NYLON UL94 V-O, BLACK  
OPTION 2: NYLON UL94 V-O, NATURAL
- PARTS TO BE PACKAGED PER PK-172323-0009
- PRODUCT SPECIFICATION PS-172323-0001
- PART USED WITH MOLEX RECEPTACLE HOUSING  
172256 AND 172258
- REFER TO AS-45499-001 FOR MOISTURING NYLON CONNECTOR PARTS
- PARTS CONFORM TO CLASS "B" REQUIREMENTS OF COSMETIC SPECIFICATION PS-45499-002
- APPLICATION SPECIFICATION: AS-172323-0001
- MOLEX RECOMMENDS USING A NATURAL COLOR TPA FOR BLACK COLOR HOUSING AND A BLACK COLORED TPA FOR NATURAL COLORES HOUSINGS TO AID INSPECTION AFTER ASSEMBLY.

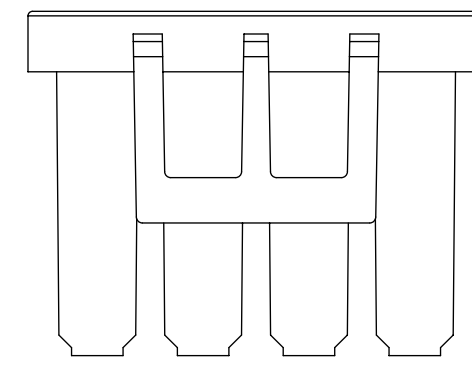
<b>QUALITY SYMBOLS</b> □ = 0 ▽ = 0 ▽ = 0 ▽ = 0 ▽ = 0 ▽ = 0 ▽ = 0 ▽ = 0 ▽ = 0 ▽ = 0 ▽ = 0 ▽ = 0	THIS DRAWING CONTAINS INFORMATION THAT IS PROPRIETARY TO MOLEX ELECTRONIC TECHNOLOGIES, LLC AND SHOULD NOT BE USED WITHOUT WRITTEN PERMISSION				DIMENSION UNITS: mm SCALE: 4:1		  <b>ULTRA-FIT TPA</b>  PRODUCT CUSTOMER DRAWING
	GENERAL TOLERANCES (UNLESS SPECIFIED) ANGULAR TOL ± °		DRWN BY: DROSCA DATE: 2014/04/10		CHKD BY: _____ DATE: _____		
	4 PLACES ± 3 PLACES ± 2 PLACES ± 0.25 1 PLACE ± 0.5 0 PLACES ±		APPR BY: JCOMERCI DATE: 2014/04/24		DRAWING SIZE: D THIRD ANGLE PROJECTION		
	DRAFT WHERE APPLICABLE MUST REMAIN WITHIN DIMENSIONS		SERIES: 172264 MATERIAL NUMBER: SD-172264-0001 CUSTOMER: GENERAL MARKET		DOCUMENT NUMBER: PSD 000 SHEET NUMBER: 1 OF 1		



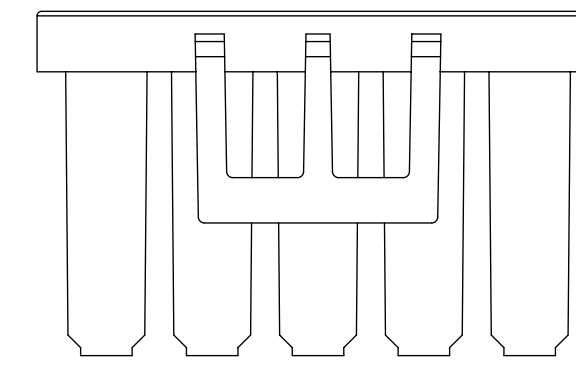
2 CKT



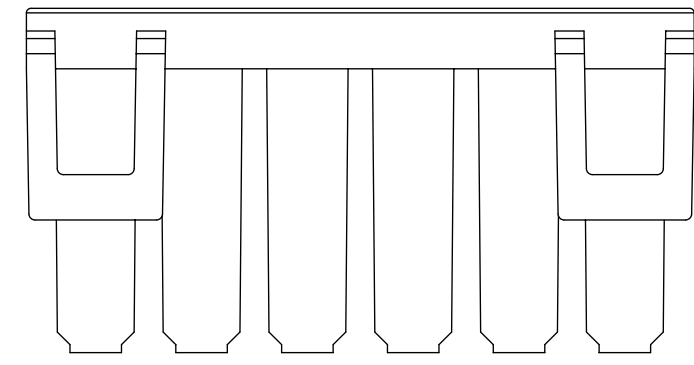
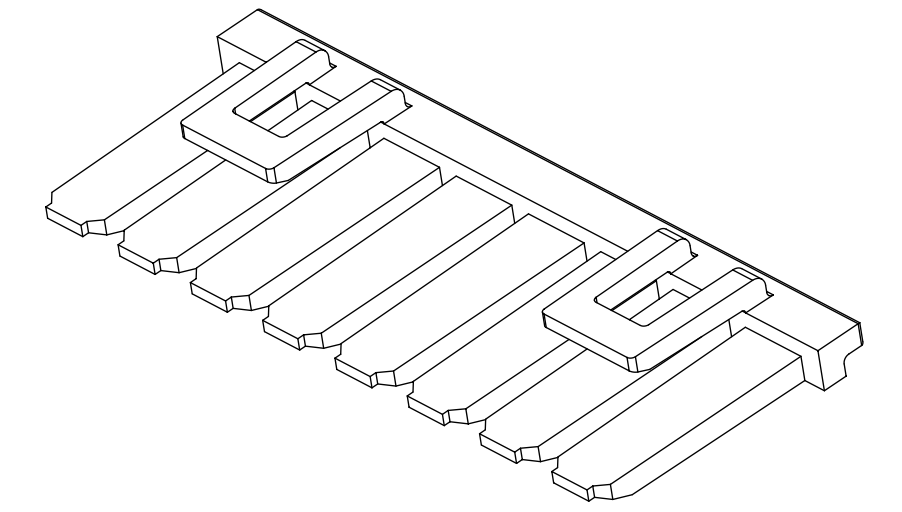
3 CKT



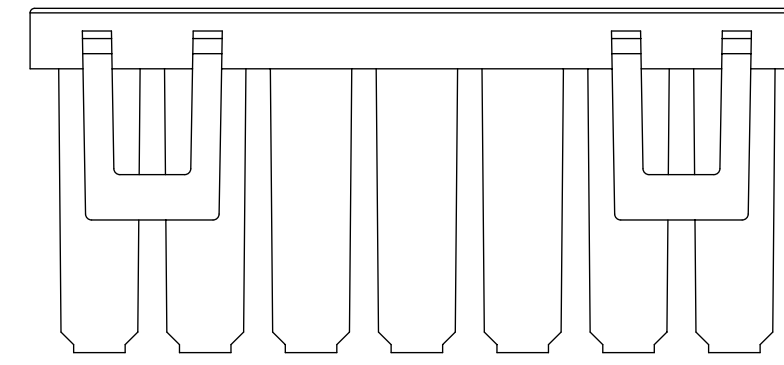
4 CKT



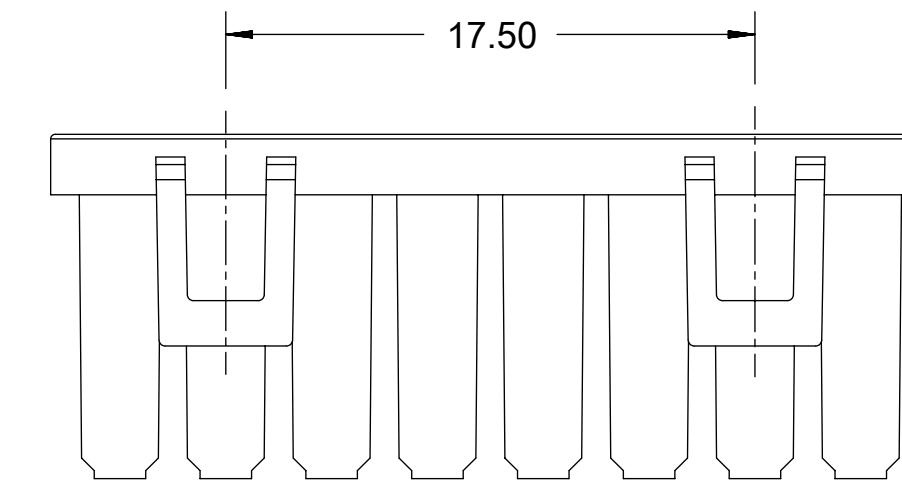
5 CKT



6 CKT



7 CKT



8 CKT

TPA

NOTES:

1. MATERIAL :  
 OPTION 1: NYLON GLOW WIRE BLACK  
 OPTION 2: NYLON GLOW WIRE NATURAL
2. PARTS TO BE PACKAGED PER PK-172323-0009
3. PRODUCT SPECIFICATION PS-172323-0001
4. PART USED WITH MOLEX RECEPTACLE HOUSING 172258 AND 172256
5. REFER TO AS-45499-001 FOR MOISTURING NYLON CONNECTOR PARTS
6. PARTS CONFORM TO CLASS "B" REQUIREMENTS OF COSMETIC SPECIFICATION PS-45499-002
7. APPLICATION SPECIFICATION: AS-172323-0001
8. MOLEX RECOMMENDS USING A NATURAL COLOR TPA FOR BLACK COLOR HOUSING AND A BLACK COLORED TPA FOR NATURAL COLORES HOUSINGS TO AID INSPECTION AFTER ASSEMBLY.

PART NO.	GW	COLOR	CIRCUIT SIZE	DIM B
172268-1002	GW	BLACK	2	8.08
172268-1003	GW	BLACK	3	11.58
172268-1004	GW	BLACK	4	15.08
172268-1005	GW	BLACK	5	18.58
172268-1006	GW	BLACK	6	22.08
172268-1007	GW	BLACK	7	25.58
172268-1008	GW	BLACK	8	29.20
172268-2002	GW	NATURAL	2	8.08
172268-2003	GW	NATURAL	3	11.58
172268-2004	GW	NATURAL	4	15.08
172268-2005	GW	NATURAL	5	18.58
172268-2006	GW	NATURAL	6	22.08
172268-2007	GW	NATURAL	7	25.58
172268-2008	GW	NATURAL	8	29.20

QUALITY SYMBOLS ▽ = 0 ▽ = 0 ▽ = 0 ▽ = 0 ▽ = 0 ▽ = 0 ▽ = 0 ▽ = 0 ▽ = 0	THIS DRAWING CONTAINS INFORMATION THAT IS PROPRIETARY TO MOLEX ELECTRONIC TECHNOLOGIES, LLC AND SHOULD NOT BE USED WITHOUT WRITTEN PERMISSION				
	EC NO: 103949 DRWN: PPerez03 CHKD: RHODGE REV APPR: RHODGE	2016/03/31 2016/04/05 2016/03/31	GENERAL TOLERANCES (UNLESS SPECIFIED) ANGULAR TOL ± ° 4 PLACES ± 3 PLACES ± 2 PLACES ± 0.25 1 PLACE ± 0.5 0 PLACES ± DRAFT WHERE APPLICABLE MUST REMAIN WITHIN DIMENSIONS	DIMENSION UNITS: mm SCALE: 4:1 DRWN BY: DROSCA DATE: 2014/09/15 CHKD BY: DATE: APPR BY: RHODGE DATE: 2014/09/25 DRAWING SIZE: D THIRD ANGLE PROJECTION	  ULTRA-FIT TPA, GW  PRODUCT CUSTOMER DRAWING SERIES: 172268 MATERIAL NUMBER: SD-172268-0001 CUSTOMER: GENERAL MARKET DOC TYPE: PSD DOC PART: 000 SHEET NUMBER: 1 OF 1
	A4				

RELEASE STATUS	RELEASE DATE