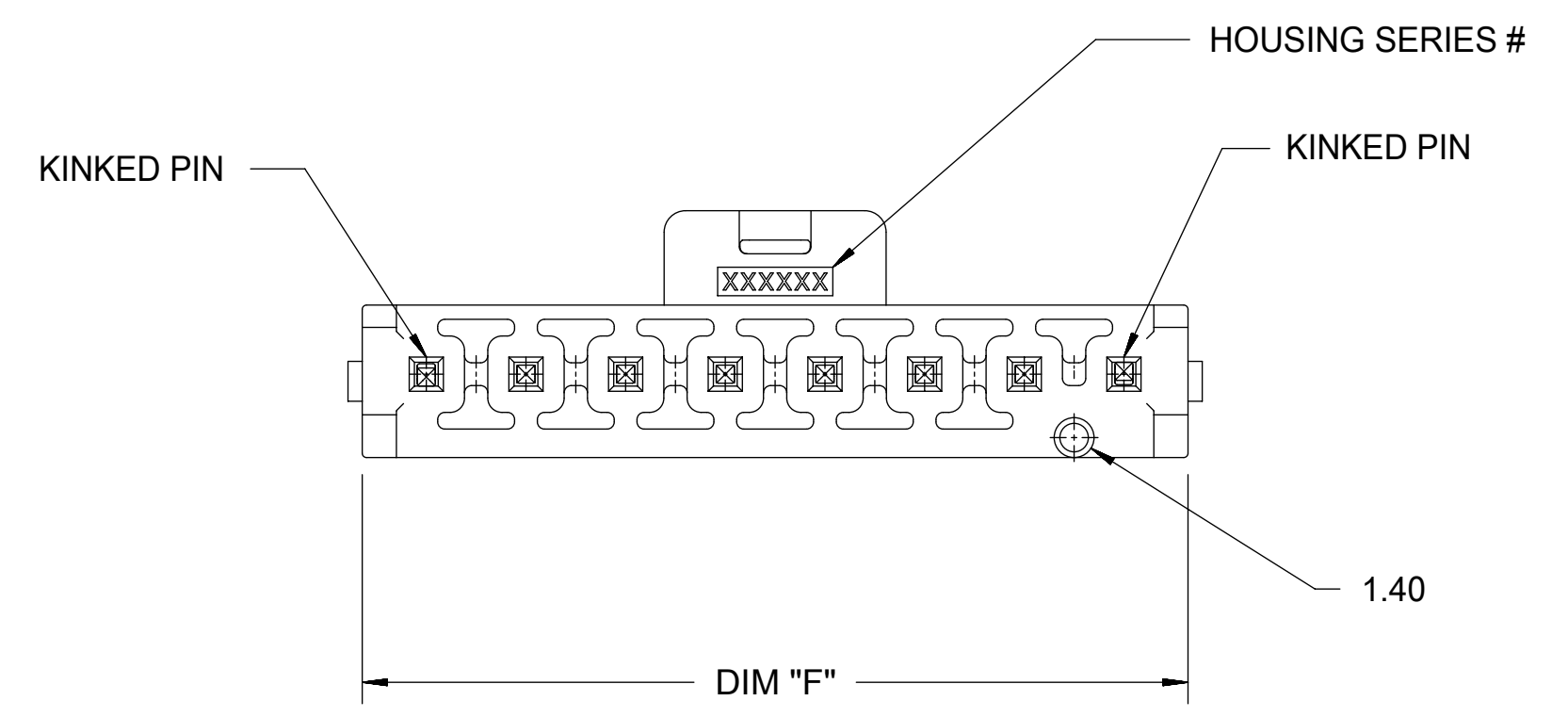
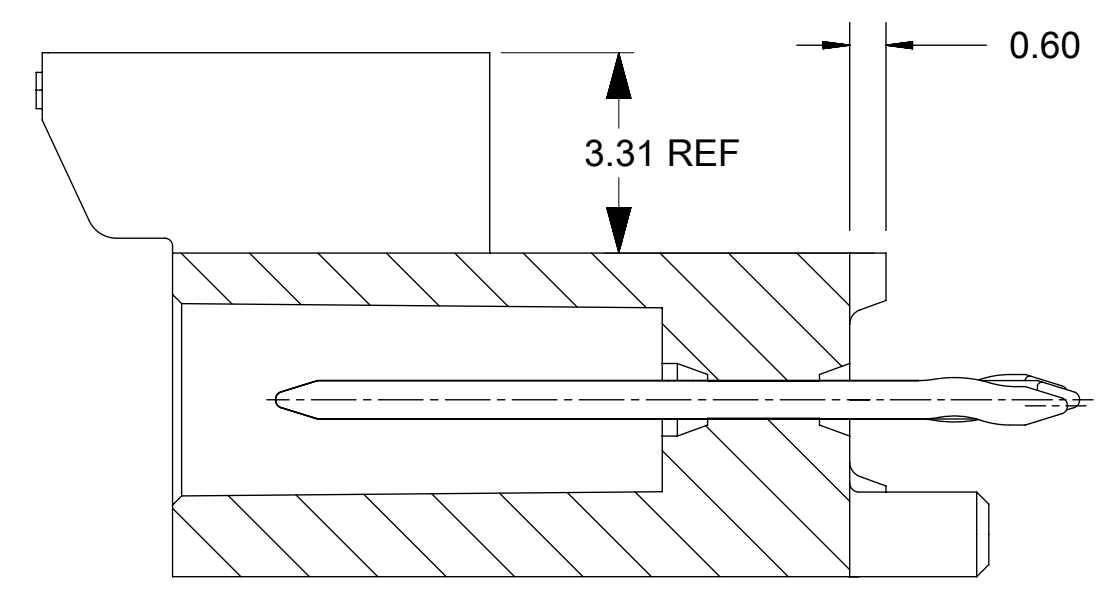
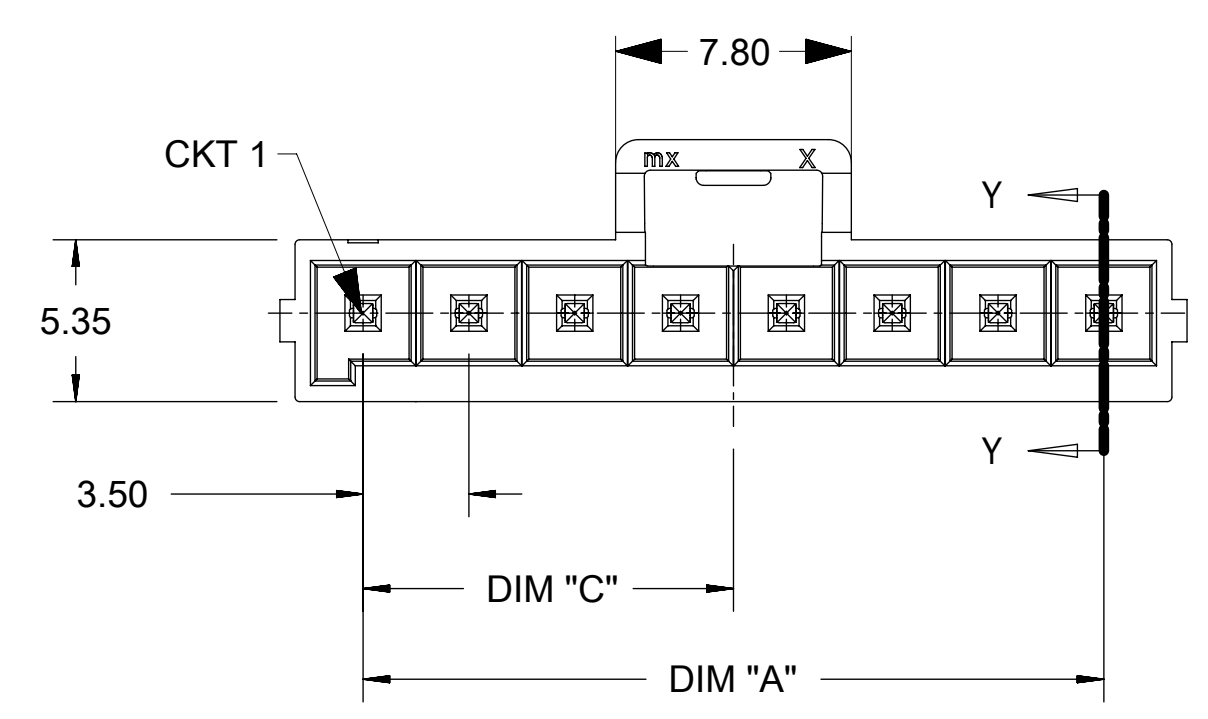
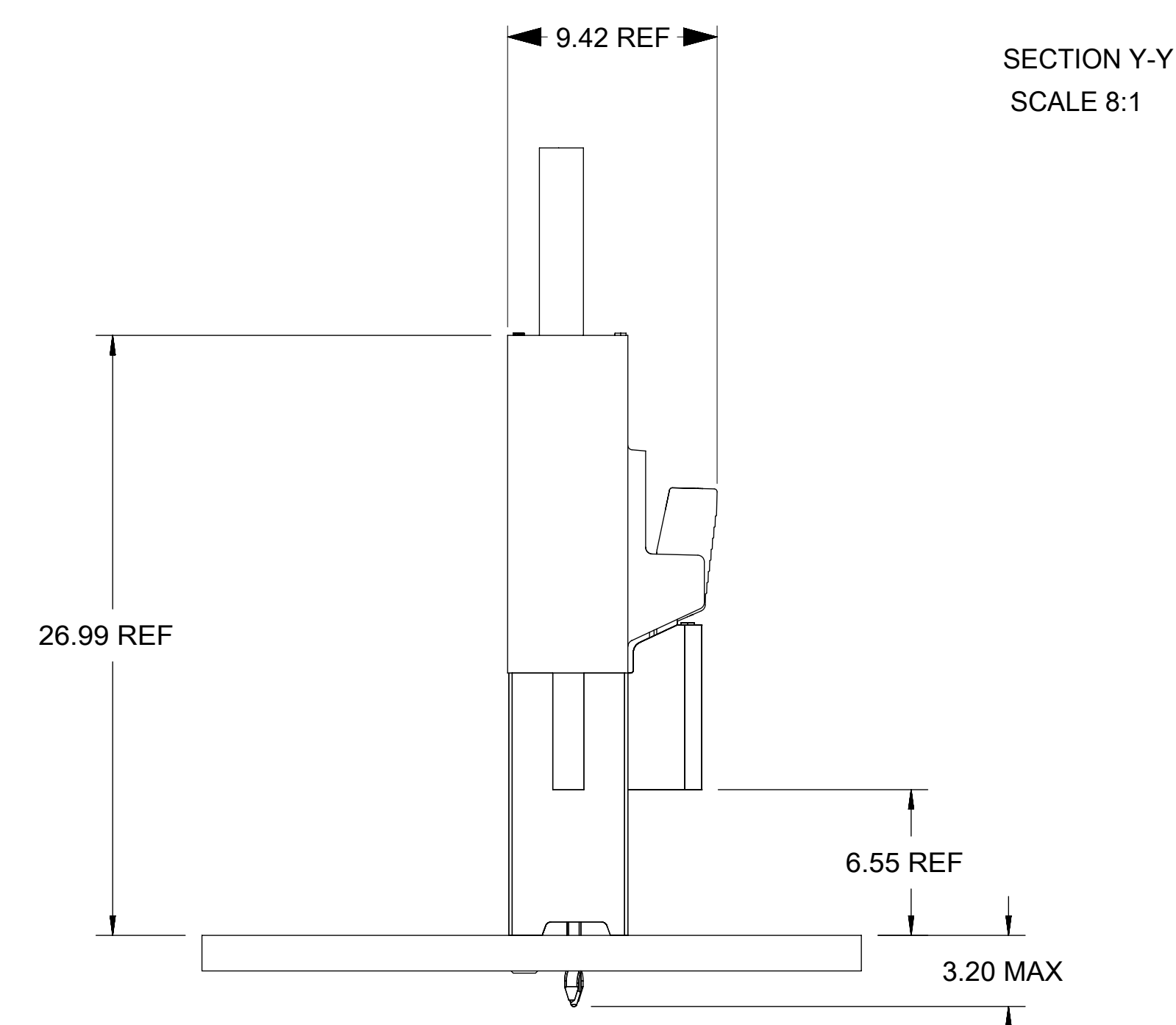


FIRST CIRCUIT MARK  
(NOT SHOWING ON 2  
AND 3 CIRCUITS SERIES)

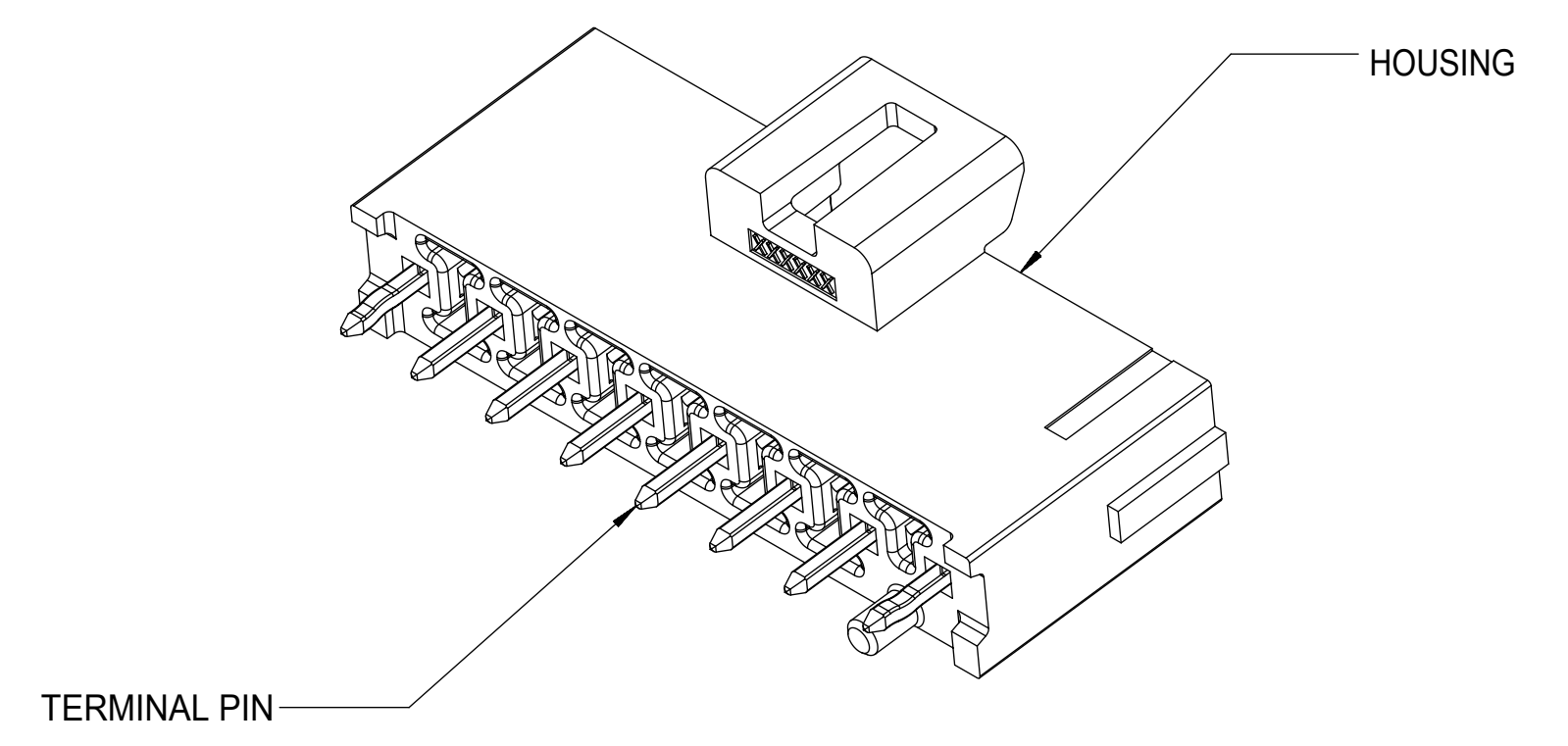


NOTES:

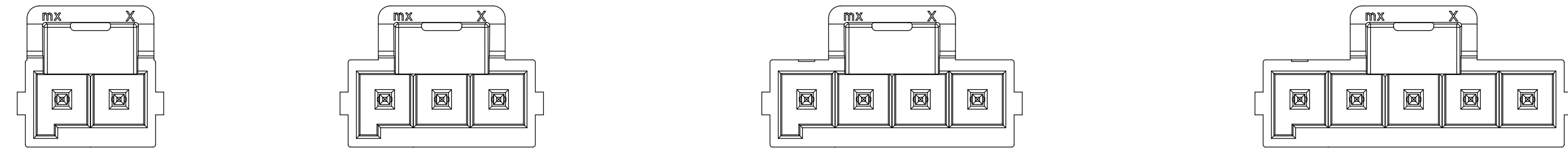
- MATERIAL :  
HOUSING  
OPTION 1: LCP BLACK, UL94 V-0  
OPTION 2: LCP NATURAL, UL94 V-0  
TERMINAL: COPPER ALLOY
- PLATING FINISH:  
OPTION 1 - 1.5µm(60µin)-2.5µm(100µin) TIN OVER  
1.25µm(50µin)-2.5µm(100µin) NICKEL OVERALL  
OPTION 2 - 0.35µm(15µin) GOLD CONTACT AREA,  
1.5µm(60µin)-2.5µm(100µin) TIN TAIL AREA OVER  
1.25µm(50µin)-2.5µm(100µin) NICKEL OVERALL  
OPTION 3 - 0.70µm(30µin) GOLD CONTACT AREA,  
1.5µm(60µin)-2.5µm(100µin) TIN TAIL AREA OVER  
1.25µm(50µin)-2.5µm(100µin) NICKEL OVERALL
- PARTS TO BE PACKAGED PER PK SPEC PK-172287-9001
- PRODUCT SPECIFICATION PS-172323-0001
- PART MATES WITH MOLEX RECEPTACLE HOUSING  
172256 AND 172260
- PART CONFORMS TO CLASS "C" REQUIREMENTS OF SPECIFICATION  
PS-45499-002 WITH 0.13 MM MAXIMUM FLASH ALLOWED IN CORE  
HOLES AND FRONT SURFACE.
- DISCOLORATION IN THE BANDOLIER AREA OF THE PIN IS  
INHERENT TO THE PLATING PROCESS AND IS DUE TO THE MASKING  
EFFECT OF THE CARRIER. THIS DISCOLORATION IS IN A NON-FUNCTIONAL  
AREA OF THE PIN AND WILL NOT AFFECT THE PERFORMANCE OF THE  
HEADER ASSEMBLY.
- APPLICATION SPECIFICATION AS-172323-0001



SECTION Y-Y  
SCALE 8:1



|   |                   |  |                                       |         |                        |            |                          |   |                       |  |
|---|-------------------|--|---------------------------------------|---------|------------------------|------------|--------------------------|---|-----------------------|--|
| THIS DRAWING CONTAINS INFORMATION THAT IS PROPRIETARY TO MOLEX ELECTRONIC TECHNOLOGIES, LLC AND SHOULD NOT BE USED WITHOUT WRITTEN PERMISSION |                   |  |                                       |         |                        |            |                          |   |                       |  |
| QUALITY SYMBOLS<br>F = 0<br>E = 0<br>E = 0<br>= 0<br>C = 0<br>X = 0<br>= 0<br>= 0   | 2016/03/30        | 2016/04/05   | GENERAL TOLERANCES (UNLESS SPECIFIED) |         | DIMENSION UNITS        | SCALE      |                          |   |                       |  |
|   | DRWN: PPerez03    | CHKD: RHODGE   | ANGULAR TOL ± °                       |         | mm                     | 4:1        |                          |   |                       |  |
|   | REV: APPR: RHODGE | 2016/03/30   | 4 PLACES ±                            | DROSCA  |                        | DATE       | 2014/03/04               | ULTRA-FIT VERT HEADER<br>2-8 CKTS SINGLE ROW WITH KINKED PINS |                       |  |
|   | EC NO: 103949     |  | 3 PLACES ±                            | CHKD BY |                        | DATE       |                          |   |                       |  |
| B5  |                   | 2 PLACES ± 0.25                                      | APPR BY                               |         | DATE                   | 2014/04/24 | PRODUCT CUSTOMER DRAWING |   |                       |  |
|   |                   | 1 PLACE ± 0.5  | JCOMERCI                              |         | DATE                   |            | SERIES                   | MATERIAL NUMBER   | CUSTOMER              |  |
|   |                   | 0 PLACES ±   | DRAWING SIZE                          |         | THIRD ANGLE PROJECTION |            | 172286                   |   | GENERAL MARKET        |  |
|   |                   | DRAFT WHERE APPLICABLE MUST REMAIN WITHIN DIMENSIONS |                                       | D       |                        |            | DOCUMENT NUMBER          | DOC TYPE  | DOC PART SHEET NUMBER |  |
|   |                   |  |                                       |         |                        |            | SD-172286-1000           | PSD   | 000 1 OF 2            |  |

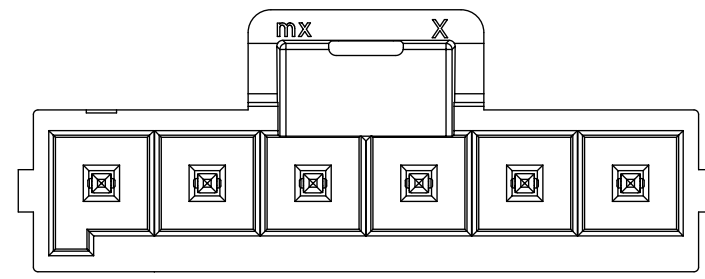


2 CKT  
Back2

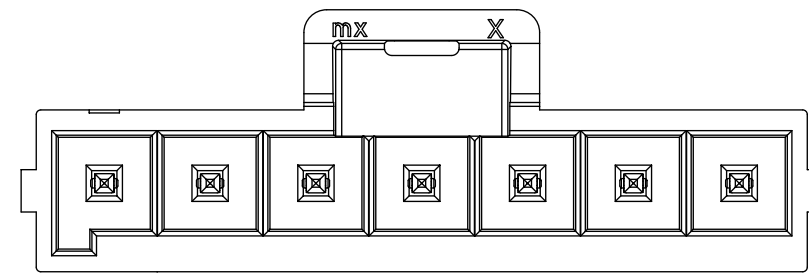
3 CKT  
Back3

4 CKT  
Back4

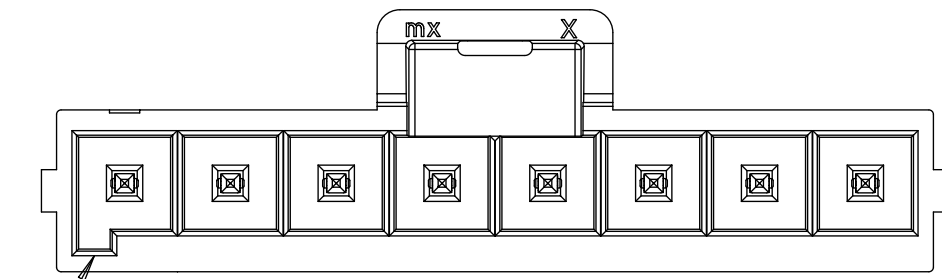
5 CKT  
Back5



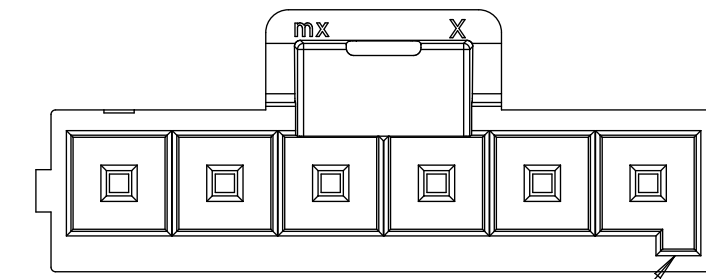
6 CKT  
Back6



7 CKT  
Back7



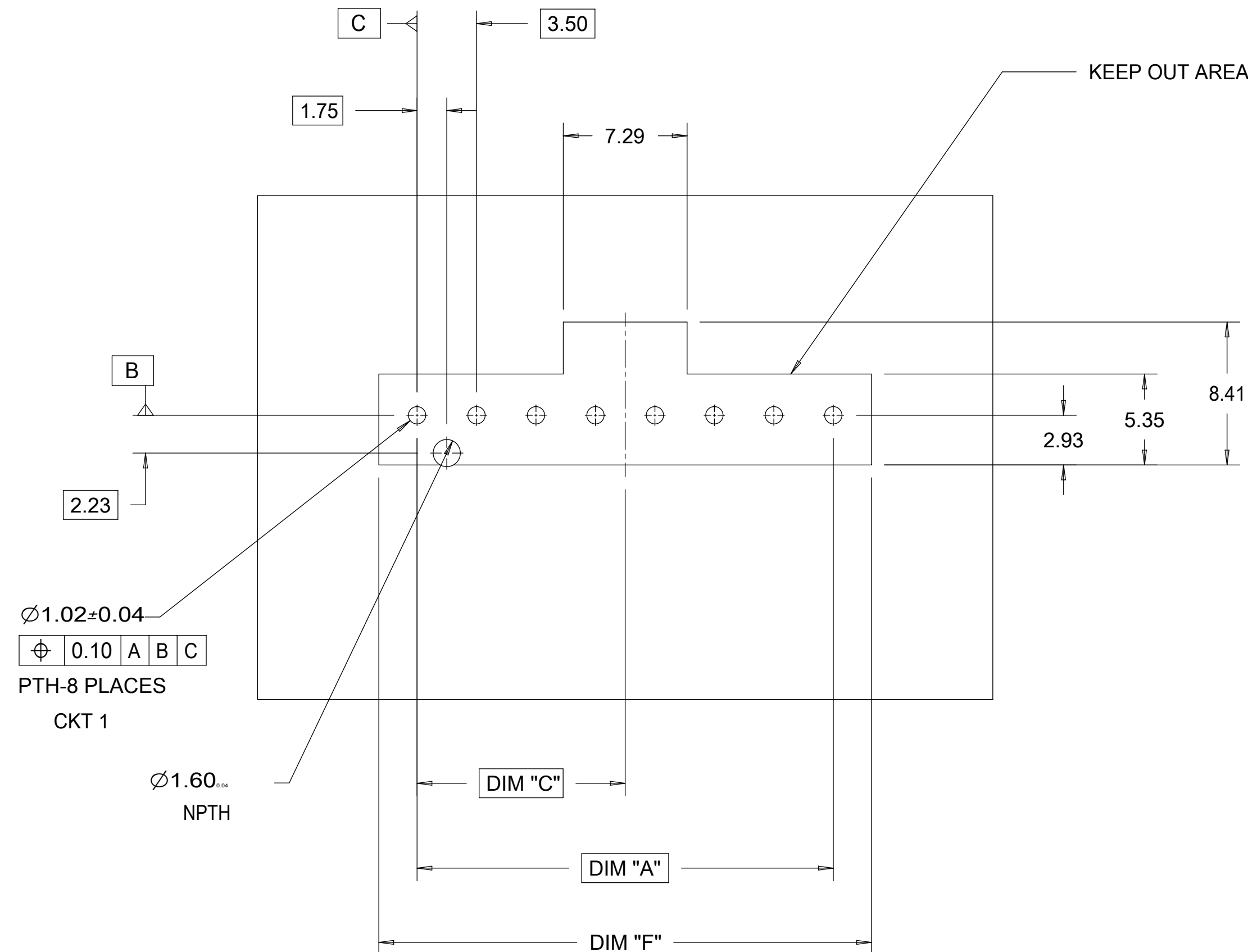
8 CKT  
Back8



Back9

KEY A  
(BLACK)

KEY B  
(NATURAL)



PCB LAYOUT COMPONENT SIDE  
RECOMENDED PCB THICKNESS 1.60MM-2.40MM

Front9

NOTE: DATUM -A- IS ON THE COMPONENT SIDE PCB

| TIN PLATING |         |              |            |       |       |       |
|-------------|---------|--------------|------------|-------|-------|-------|
| PART NO.    | COLOR   | CIRCUIT SIZE | KEY OPTION | DIM A | DIM F | DIM C |
| 172286-1102 | BLACK   | 2            | KEY A      | 3.50  | 8.00  | 1.75  |
| 172286-1103 | BLACK   | 3            | KEY A      | 7.00  | 11.50 | 3.50  |
| 172286-1104 | BLACK   | 4            | KEY A      | 10.50 | 15.00 | 5.25  |
| 172286-1105 | BLACK   | 5            | KEY A      | 14.00 | 18.50 | 7.00  |
| 172286-1106 | BLACK   | 6            | KEY A      | 17.50 | 22.00 | 8.75  |
| 172286-1107 | BLACK   | 7            | KEY A      | 21.00 | 25.50 | 10.50 |
| 172286-1108 | BLACK   | 8            | KEY A      | 24.50 | 29.00 | 12.25 |
| 172286-2102 | NATURAL | 2            | KEY B      | 3.50  | 8.00  | 1.75  |
| 172286-2103 | NATURAL | 3            | KEY B      | 7.00  | 11.50 | 3.50  |
| 172286-2104 | NATURAL | 4            | KEY B      | 10.50 | 15.00 | 5.25  |
| 172286-2105 | NATURAL | 5            | KEY B      | 14.00 | 18.50 | 7.00  |
| 172286-2106 | NATURAL | 6            | KEY B      | 17.50 | 22.00 | 8.75  |
| 172286-2107 | NATURAL | 7            | KEY B      | 21.00 | 25.50 | 10.50 |
| 172286-2108 | NATURAL | 8            | KEY B      | 24.50 | 29.00 | 12.25 |

| 15 MICROINCH GOLD PLATING |         |              |            |       |       |       |
|---------------------------|---------|--------------|------------|-------|-------|-------|
| PART NO.                  | COLOR   | CIRCUIT SIZE | KEY OPTION | DIM A | DIM F | DIM C |
| 172286-1202               | BLACK   | 2            | KEY A      | 3.50  | 8.00  | 1.75  |
| 172286-1203               | BLACK   | 3            | KEY A      | 7.00  | 11.50 | 3.50  |
| 172286-1204               | BLACK   | 4            | KEY A      | 10.50 | 15.00 | 5.25  |
| 172286-1205               | BLACK   | 5            | KEY A      | 14.00 | 18.50 | 7.00  |
| 172286-1206               | BLACK   | 6            | KEY A      | 17.50 | 22.00 | 8.75  |
| 172286-1207               | BLACK   | 7            | KEY A      | 21.00 | 25.50 | 10.50 |
| 172286-1208               | BLACK   | 8            | KEY A      | 24.50 | 29.00 | 12.25 |
| 172286-2202               | NATURAL | 2            | KEY B      | 3.50  | 8.00  | 1.75  |
| 172286-2203               | NATURAL | 3            | KEY B      | 7.00  | 11.50 | 3.50  |
| 172286-2204               | NATURAL | 4            | KEY B      | 10.50 | 15.00 | 5.25  |
| 172286-2205               | NATURAL | 5            | KEY B      | 14.00 | 18.50 | 7.00  |
| 172286-2206               | NATURAL | 6            | KEY B      | 17.50 | 22.00 | 8.75  |
| 172286-2207               | NATURAL | 7            | KEY B      | 21.00 | 25.50 | 10.50 |
| 172286-2208               | NATURAL | 8            | KEY B      | 24.50 | 29.00 | 12.25 |

| 30 MICROINCH GOLD PLATING |         |              |            |       |       |       |
|---------------------------|---------|--------------|------------|-------|-------|-------|
| PART NO.                  | COLOR   | CIRCUIT SIZE | KEY OPTION | DIM A | DIM F | DIM C |
| 172286-1302               | BLACK   | 2            | KEY A      | 3.50  | 8.00  | 1.75  |
| 172286-1303               | BLACK   | 3            | KEY A      | 7.00  | 11.50 | 3.50  |
| 172286-1304               | BLACK   | 4            | KEY A      | 10.50 | 15.00 | 5.25  |
| 172286-1305               | BLACK   | 5            | KEY A      | 14.00 | 18.50 | 7.00  |
| 172286-1306               | BLACK   | 6            | KEY A      | 17.50 | 22.00 | 8.75  |
| 172286-1307               | BLACK   | 7            | KEY A      | 21.00 | 25.50 | 10.50 |
| 172286-1308               | BLACK   | 8            | KEY A      | 24.50 | 29.00 | 12.25 |
| 172286-2302               | NATURAL | 2            | KEY B      | 3.50  | 8.00  | 1.75  |
| 172286-2303               | NATURAL | 3            | KEY B      | 7.00  | 11.50 | 3.50  |
| 172286-2304               | NATURAL | 4            | KEY B      | 10.50 | 15.00 | 5.25  |
| 172286-2305               | NATURAL | 5            | KEY B      | 14.00 | 18.50 | 7.00  |
| 172286-2306               | NATURAL | 6            | KEY B      | 17.50 | 22.00 | 8.75  |
| 172286-2307               | NATURAL | 7            | KEY B      | 21.00 | 25.50 | 10.50 |
| 172286-2308               | NATURAL | 8            | KEY B      | 24.50 | 29.00 | 12.25 |

|  |   |  |                              |  |                           |  |  |   |
|--|---|--|------------------------------|--|---------------------------|--|--|---|
| <b>QUALITY SYMBOLS</b><br>F = 0<br>E = 0<br>D = 0<br>C = 0<br>B = 0<br>A = 0<br>0 = 0<br>1 = 0<br>2 = 0<br>3 = 0<br>4 = 0<br>5 = 0<br>6 = 0<br>7 = 0<br>8 = 0<br>9 = 0 | THIS DRAWING CONTAINS INFORMATION THAT IS PROPRIETARY TO MOLEX ELECTRONIC TECHNOLOGIES, LLC AND SHOULD NOT BE USED WITHOUT WRITTEN PERMISSION |  | DIMENSION UNITS<br><b>mm</b> |  | SCALE<br><b>4:1</b>       |  |  |   |
|  | GENERAL TOLERANCES (UNLESS SPECIFIED)   |  | DRWN BY<br><b>DROSCA</b>     |  | DATE<br><b>2014/03/04</b> |  |  | <b>ULTRA-FIT VERT HEADER</b><br><b>2-8 CKTS SINGLE ROW WITH KINKED PINS</b> |
|  | ANGULAR TOL ±   |  | CHKD BY                      |  | DATE                      |  |  |   |
|  | 4 PLACES ±<br>3 PLACES ±<br>2 PLACES ± 0.25<br>1 PLACE ± 0.5<br>0 PLACES ±  |  | APPR BY<br><b>JCOMERCI</b>   |  | DATE<br><b>2014/04/24</b> |  |  |   |
| DRAFT WHERE APPLICABLE MUST REMAIN WITHIN DIMENSIONS   |   | DRAWING SIZE<br><b>D</b>                 |                              | THIRD ANGLE PROJECTION                   |                           |  |  |   |
| EC NO: 103949<br>DRWN: PPEREZ03<br>CHKD: RHODGE<br>REV APPR: RHODGE  |   | SERIES<br><b>172286</b>                  |                              | MATERIAL NUMBER<br><b>SD-172286-1000</b> |                           | CUSTOMER<br><b>GENERAL MARKET</b>          |  |   |
| <b>B5</b>  |   | DOCUMENT NUMBER<br><b>SD-172286-1000</b> |                              | DOC TYPE<br><b>PSD</b>                   |                           | DOC PART SHEET NUMBER<br><b>000 2 OF 2</b> |  |   |