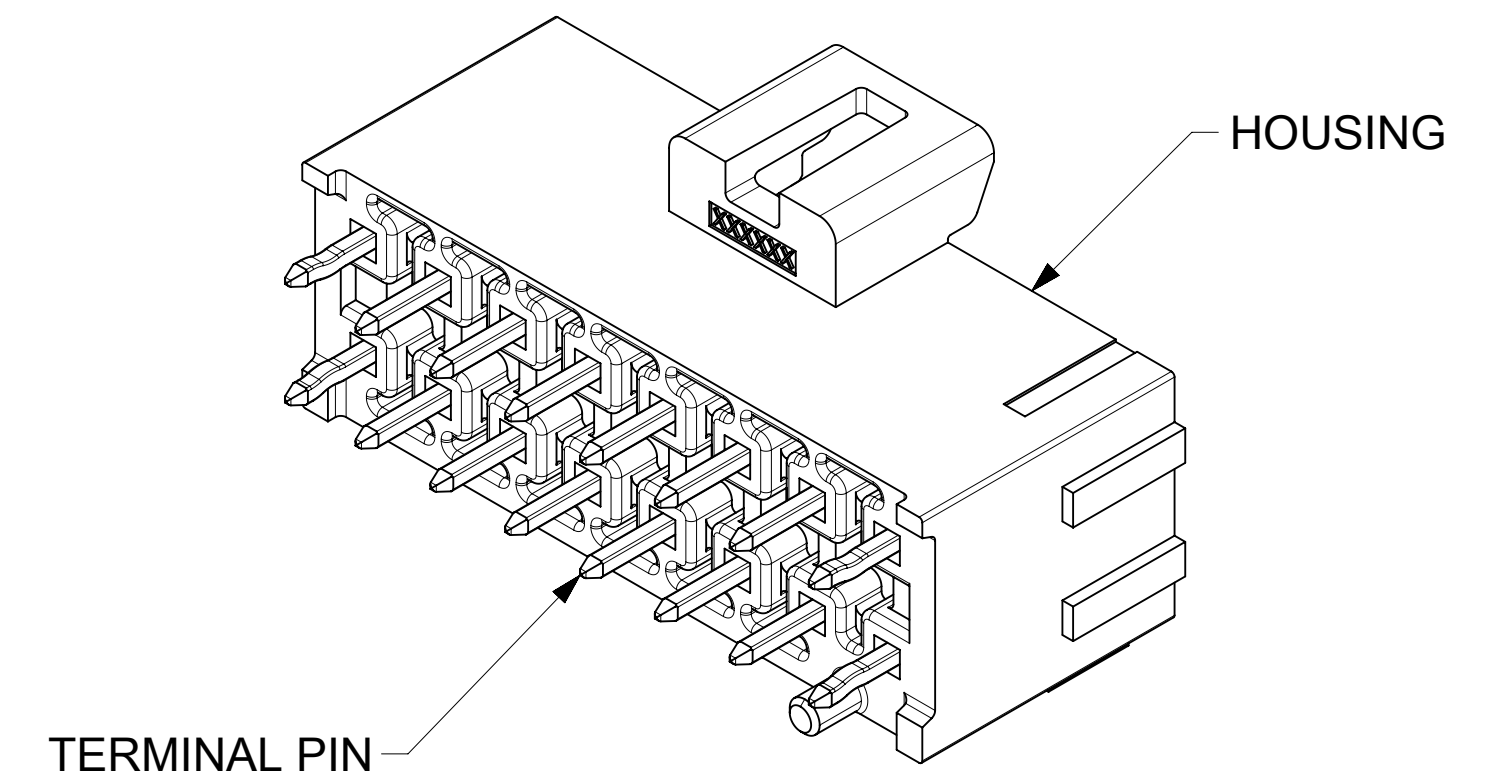
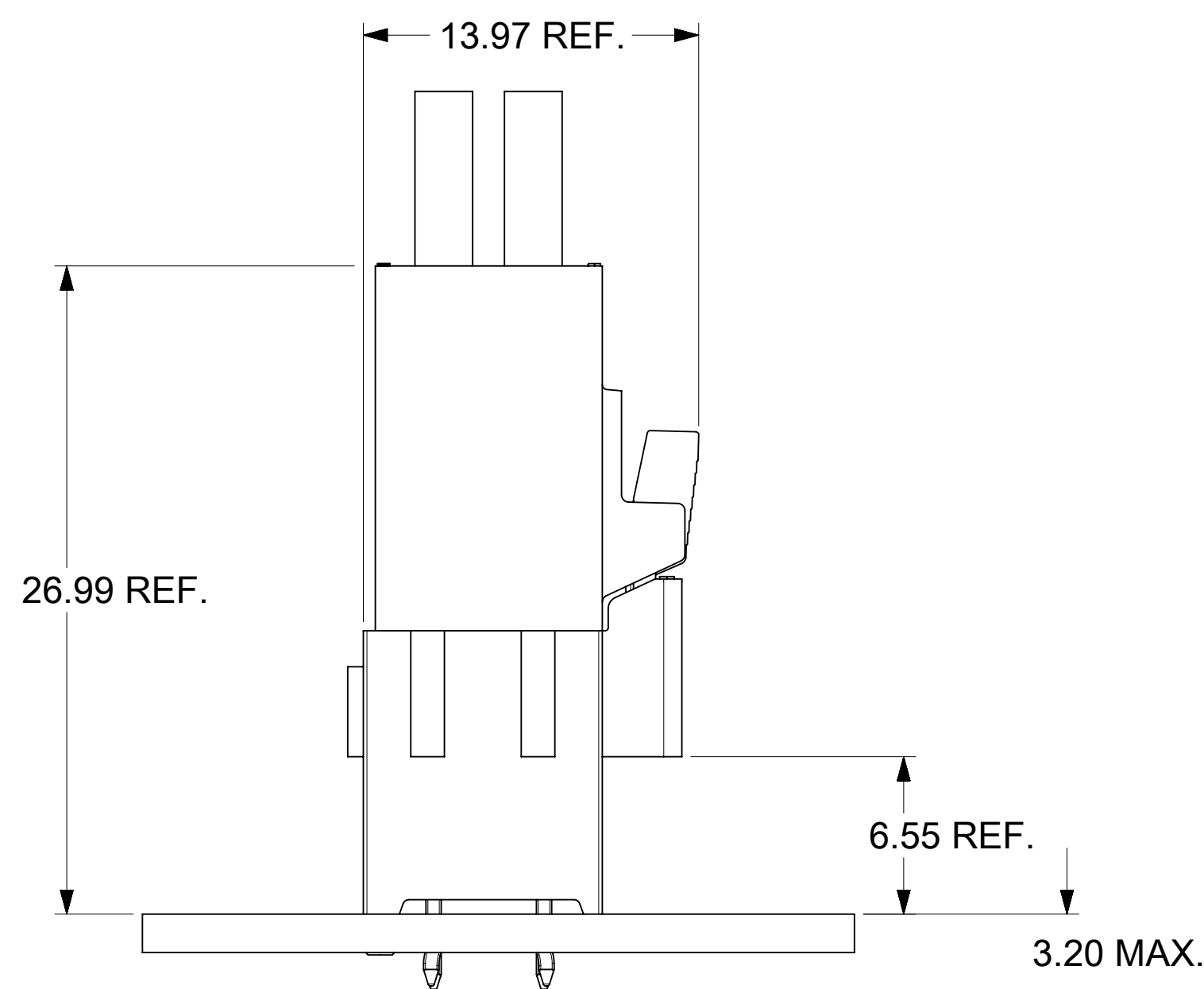
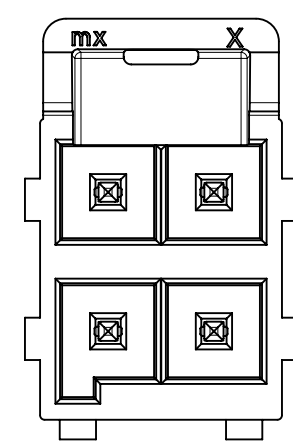


NOTES:

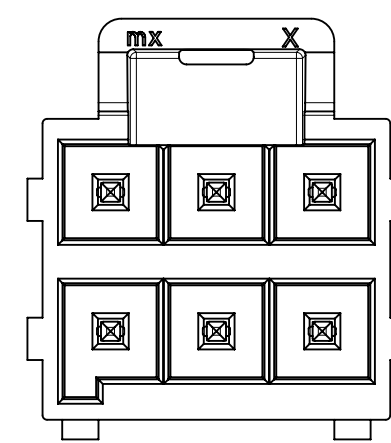
- MATERIAL :
HOUSING
OPTION 1: LCP BLACK, UL94 V-0
OPTION 2: LCP NATURAL, UL94 V-0
TERMINAL: COPPER ALLOY
- PLATING FINISH:
OPTION 1 - 1.5µm(60µin)-2.5µm(100µin) TIN OVER
1.25µm(50µin)-2.5µm(100µin) NICKEL OVERALL
OPTION 2 - 0.35µm(15µin) GOLD CONTACT AREA,
1.5µm(60µin)-2.5µm(100µin) TIN TAIL AREA OVER
1.25µm(50µin)-2.5µm(100µin) NICKEL OVERALL
OPTION 3 - 0.70µm(30µin) GOLD CONTACT AREA,
1.5µm(60µin)-2.5µm(100µin) TIN TAIL AREA OVER
1.25µm(50µin)-2.5µm(100µin) NICKEL OVERALL
- PARTS TO BE PACKAGED PER PK-172298-9001
- PRODUCT SPECIFICATION PS-172323-0001
- PART MATES WITH MOLEX RECEPTACLE HOUSING 172258 AND 172262
- PART CONFORMS TO CLASS "C" REQUIREMENTS OF SPECIFICATION PS-45499-002 WITH 0.13 MM MAXIMUM FLASH ALLOWED IN CORE HOLES AND FRONT SURFACE.
- DISCOLORATION IN THE BANDOLIER AREA OF THE PIN IS INHERENT TO THE PLATING PROCESS AND IS DUE TO THE MASKING EFFECT OF THE CARRIER. THIS DISCOLORATION IS IN A NON-FUNCTIONAL AREA OF THE PIN AND WILL NOT AFFECT THE PERFORMANCE OF THE HEADER ASSEMBLY.
- APPLICATION SPECIFICATION: AS-172323-0001



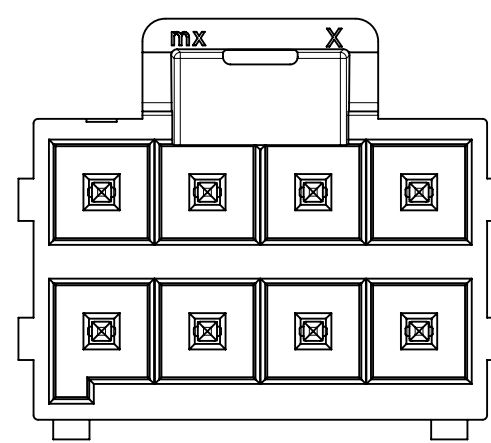
SYMBOLS	THIS DRAWING CONTAINS INFORMATION THAT IS PROPRIETARY TO MOLEX ELECTRONIC TECHNOLOGIES, LLC AND SHOULD NOT BE USED WITHOUT WRITTEN PERMISSION		
	DIMENSION UNITS	SCALE	CURRENT REV DESC: REVISED WITH MODEL
▽ = 0	mm	4:1	
▽ = 0	GENERAL TOLERANCES (UNLESS SPECIFIED)		
▽ = 0	ANGULAR TOL	± °	
▽ = 0	4 PLACES	±	
▽ = 0	3 PLACES	±	
▽ = 0	2 PLACES	± 0.25	
▽ = 0	1 PLACE	± 0.5	
▽ = 0	0 PLACES	±	
■ = 0	DRAFT WHERE APPLICABLE MUST REMAIN WITHIN DIMENSIONS		
▽ = 0	THIRD ANGLE PROJECTION	DRAWING	SERIES
		D-SIZE	172298
EC NO: 624448		2019/09/06	
DRWN: SCHEN76		2019/09/23	
CHK'D: YXZHENG		2019/09/23	
APPR: YXZHENG		2019/09/23	
INITIAL REVISION:			
DRWN: DROSCA		2015/04/14	
APPR: RHODGE		2016/04/05	
DOCUMENT NUMBER		DOC TYPE	DOC PART
SD-172298-1000		PSD	000
REVISION			
C			
MATERIAL NUMBER		CUSTOMER	SHEET NUMBER
GENERAL MARKET			1 OF 2



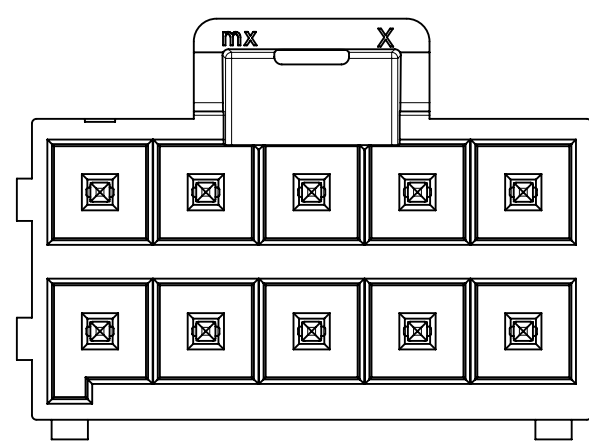
4 CKT



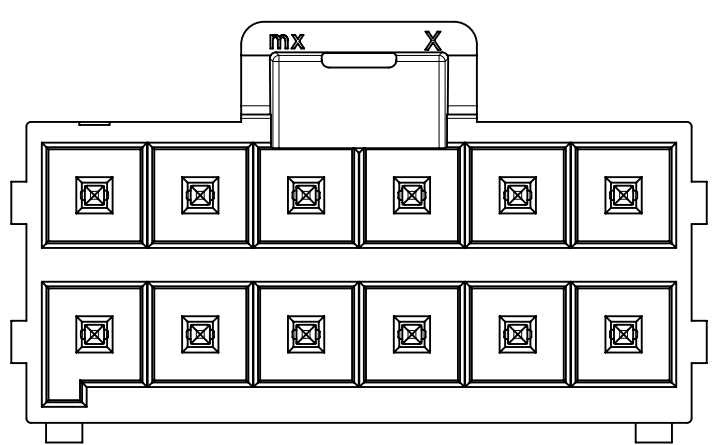
6 CKT



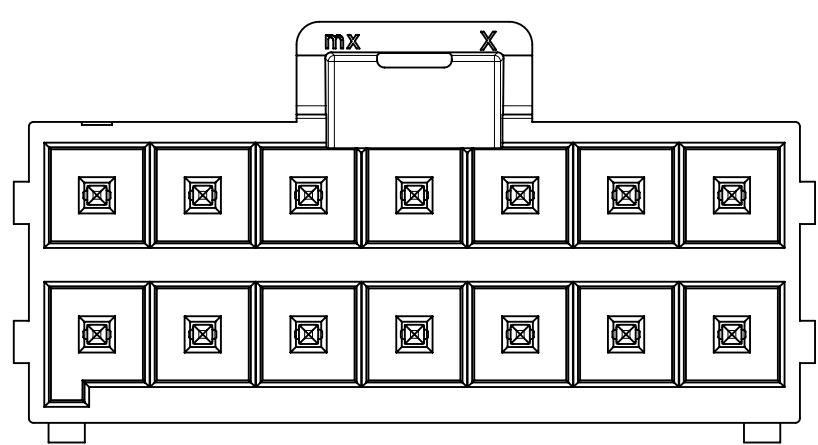
8 CKT



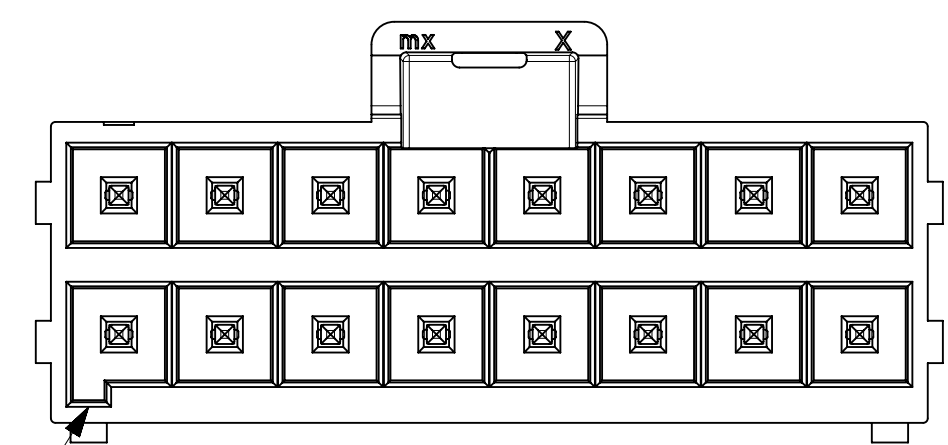
10 CKT



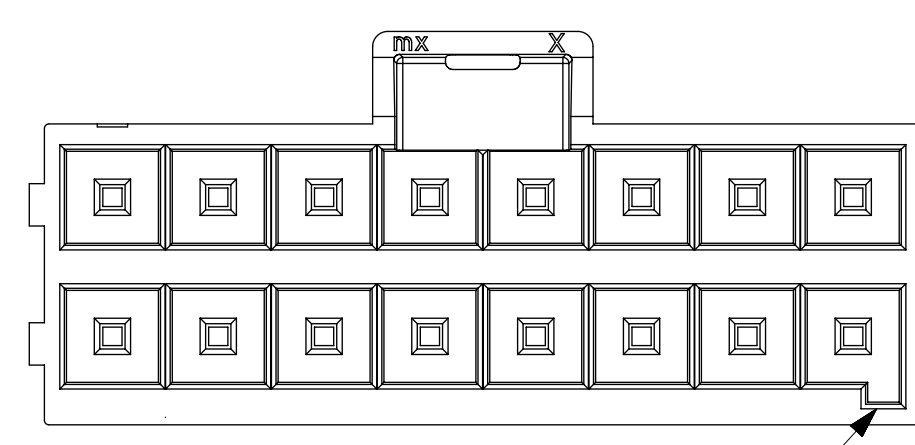
12 CKT



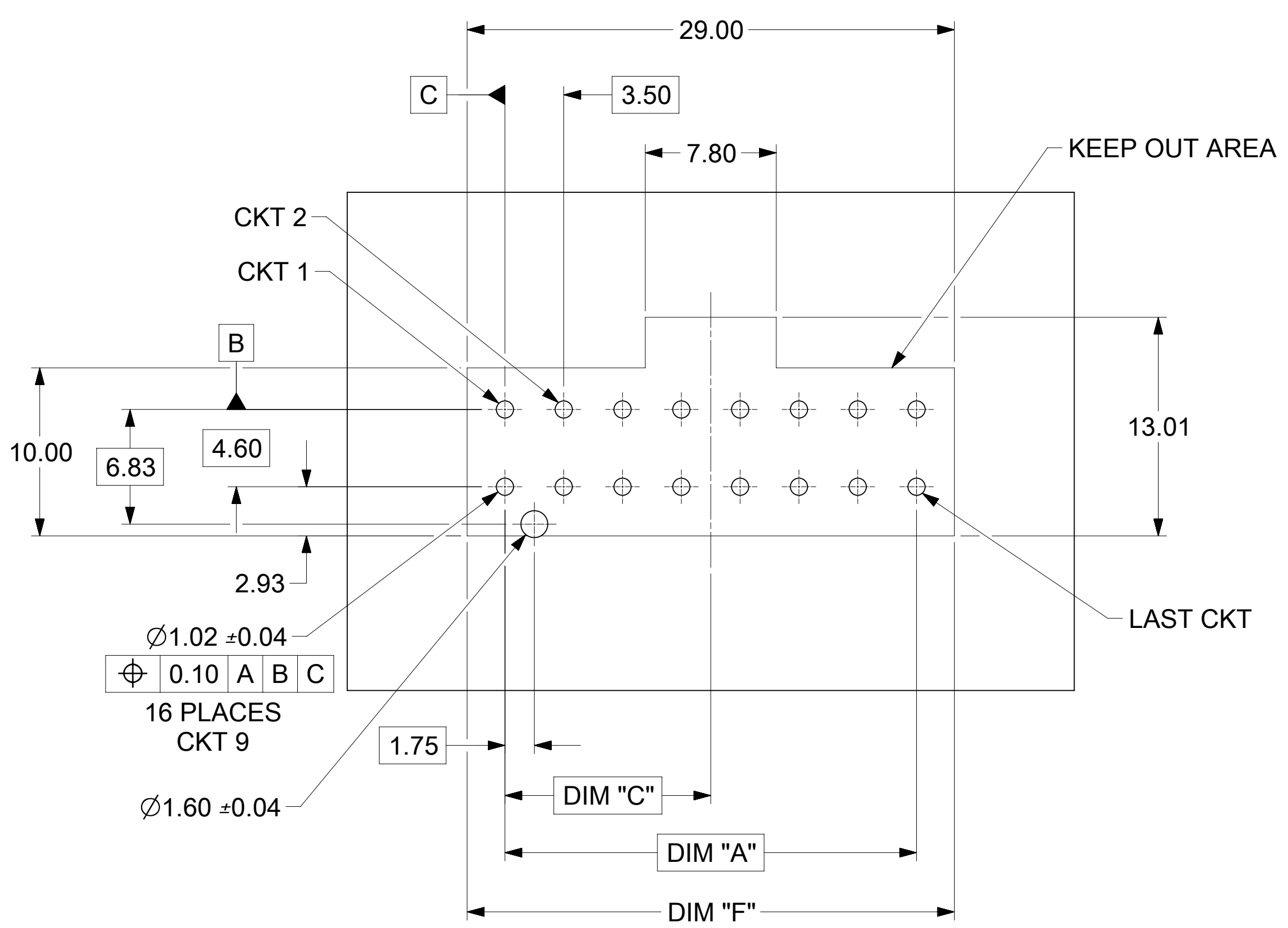
14 CKT



KEY A (BLACK)



KEY B (NATURAL)



PCB LAYOUT COMPONENT SIDE
RECOMMENDED PCB THICKNESS 1.60MM-2.40MM

NOTE: DATUM -A- IS ON PCB COMPONENT SIDE

PART NO.	COLOR	TIN PLATING			DIM A	DIM F	DIM C
		CIRCUIT SIZE	KEY OPTION				
172298-1104	BLACK	4	KEY A	3.50	8.00	1.75	
172298-1106	BLACK	6	KEY A	7.00	11.50	3.50	
172298-1108	BLACK	8	KEY A	10.50	15.00	5.25	
172298-1110	BLACK	10	KEY A	14.00	18.50	7.00	
172298-1112	BLACK	12	KEY A	17.50	22.00	8.75	
172298-1114	BLACK	14	KEY A	21.00	25.50	10.50	
172298-1116	BLACK	16	KEY A	24.50	29.00	12.25	
172298-2104	NATURAL	4	KEY B	3.50	8.00	1.75	
172298-2106	NATURAL	6	KEY B	7.00	11.50	3.50	
172298-2108	NATURAL	8	KEY B	10.50	15.00	5.25	
172298-2110	NATURAL	10	KEY B	14.00	18.50	7.00	
172298-2112	NATURAL	12	KEY B	17.50	22.00	8.75	
172298-2114	NATURAL	14	KEY B	21.00	25.50	10.50	
172298-2116	NATURAL	16	KEY B	24.50	29.00	12.25	

15 MICROINCH GOLD PLATING							
PART NO.	COLOR	TIN PLATING			DIM A	DIM F	DIM C
		CIRCUIT SIZE	KEY OPTION				
172298-1204	BLACK	4	KEY A	3.50	8.00	1.75	
172298-1206	BLACK	6	KEY A	7.00	11.50	3.50	
172298-1208	BLACK	8	KEY A	10.50	15.00	5.25	
172298-1210	BLACK	10	KEY A	14.00	18.50	7.00	
172298-1212	BLACK	12	KEY A	17.50	22.00	8.75	
172298-1214	BLACK	14	KEY A	21.00	25.50	10.50	
172298-1216	BLACK	16	KEY A	24.50	29.00	12.25	
172298-2204	NATURAL	4	KEY B	3.50	8.00	1.75	
172298-2206	NATURAL	6	KEY B	7.00	11.50	3.50	
172298-2208	NATURAL	8	KEY B	10.50	15.00	5.25	
172298-2210	NATURAL	10	KEY B	14.00	18.50	7.00	
172298-2212	NATURAL	12	KEY B	17.50	22.00	8.75	
172298-2214	NATURAL	14	KEY B	21.00	25.50	10.50	
172298-2216	NATURAL	16	KEY B	24.50	29.00	12.25	

15 MICROINCH GOLD PLATING							
PART NO.	COLOR	TIN PLATING			DIM A	DIM F	DIM C
		CIRCUIT SIZE	KEY OPTION				
172298-1304	BLACK	4	KEY A	3.50	8.00	1.75	
172298-1306	BLACK	6	KEY A	7.00	11.50	3.50	
172298-1308	BLACK	8	KEY A	10.50	15.00	5.25	
172298-1310	BLACK	10	KEY A	14.00	18.50	7.00	
172298-1312	BLACK	12	KEY A	17.50	22.00	8.75	
172298-1314	BLACK	14	KEY A	21.00	25.50	10.50	
172298-1316	BLACK	16	KEY A	24.50	29.00	12.25	
172298-2304	NATURAL	4	KEY B	3.50	8.00	1.75	
172298-2306	NATURAL	6	KEY B	7.00	11.50	3.50	
172298-2308	NATURAL	8	KEY B	10.50	15.00	5.25	
172298-2310	NATURAL	10	KEY B	14.00	18.50	7.00	
172298-2312	NATURAL	12	KEY B	17.50	22.00	8.75	
172298-2314	NATURAL	14	KEY B	21.00	25.50	10.50	
172298-2316	NATURAL	16	KEY B	24.50	29.00	12.25	

SYMBOLS	THIS DRAWING CONTAINS INFORMATION THAT IS PROPRIETARY TO MOLEX ELECTRONIC TECHNOLOGIES, LLC AND SHOULD NOT BE USED WITHOUT WRITTEN PERMISSION		CURRENT REV DESC: REVISED WITH MODEL	
	DIMENSION UNITS	SCALE		
▽ = 0	mm	4:1		
▽ = 0	GENERAL TOLERANCES (UNLESS SPECIFIED)			
▽ = 0	ANGULAR TOL	±	°	
▽ = 0	4 PLACES	±		
▽ = 0	3 PLACES	±		
▽ = 0	2 PLACES	±	0.25	
▽ = 0	1 PLACE	±	0.5	
▽ = 0	0 PLACES	±		
■ = 0	DRAFT WHERE APPLICABLE	THIRD ANGLE PROJECTION	DRAWING	SERIES
▽ = 0	MUST REMAIN WITHIN DIMENSIONS	⊕	D-SIZE	172298

EC NO: 624448	2019/09/06				
DRWN: SCHEN76	2019/09/23				
CHK'D: YXZHENG	2019/09/23				
APPR: YXZHENG	2019/09/23	PRODUCT CUSTOMER DRAWING			
INITIAL REVISION:		DOCUMENT NUMBER	DOC TYPE	DOC PART	REVISION
DRWN: DROSCA		SD-172298-1000	PSD	000	C
APPR: RHODGE		MATERIAL NUMBER		CUSTOMER	
		GENERAL MARKET		SHEET NUMBER	