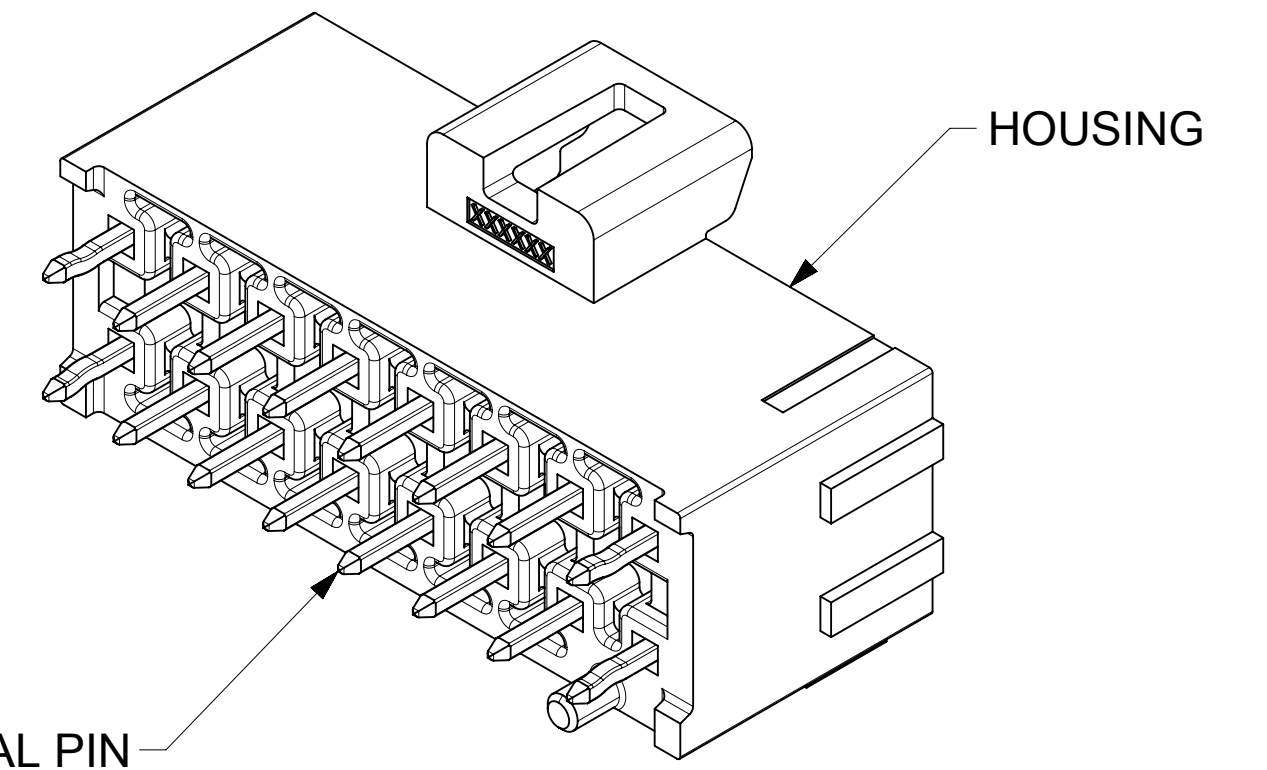
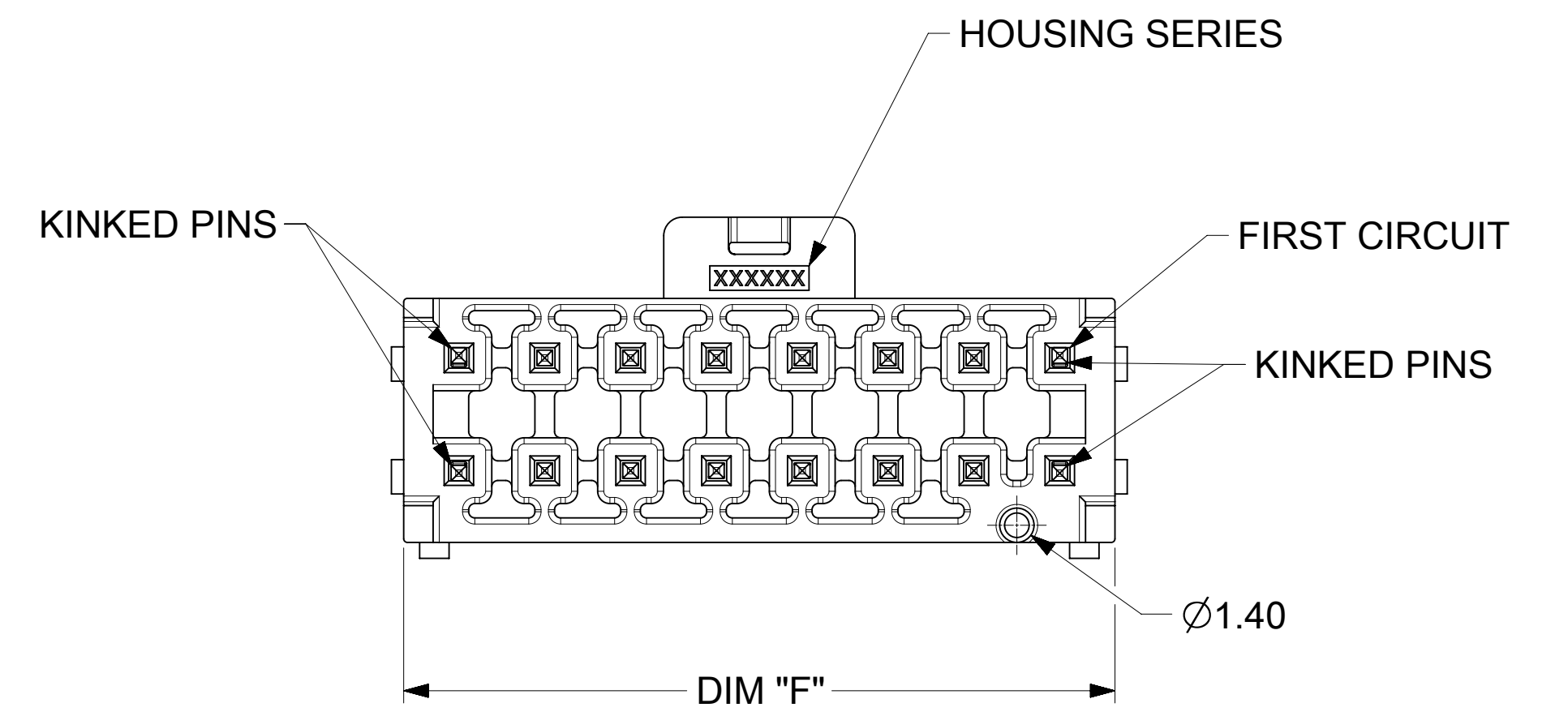
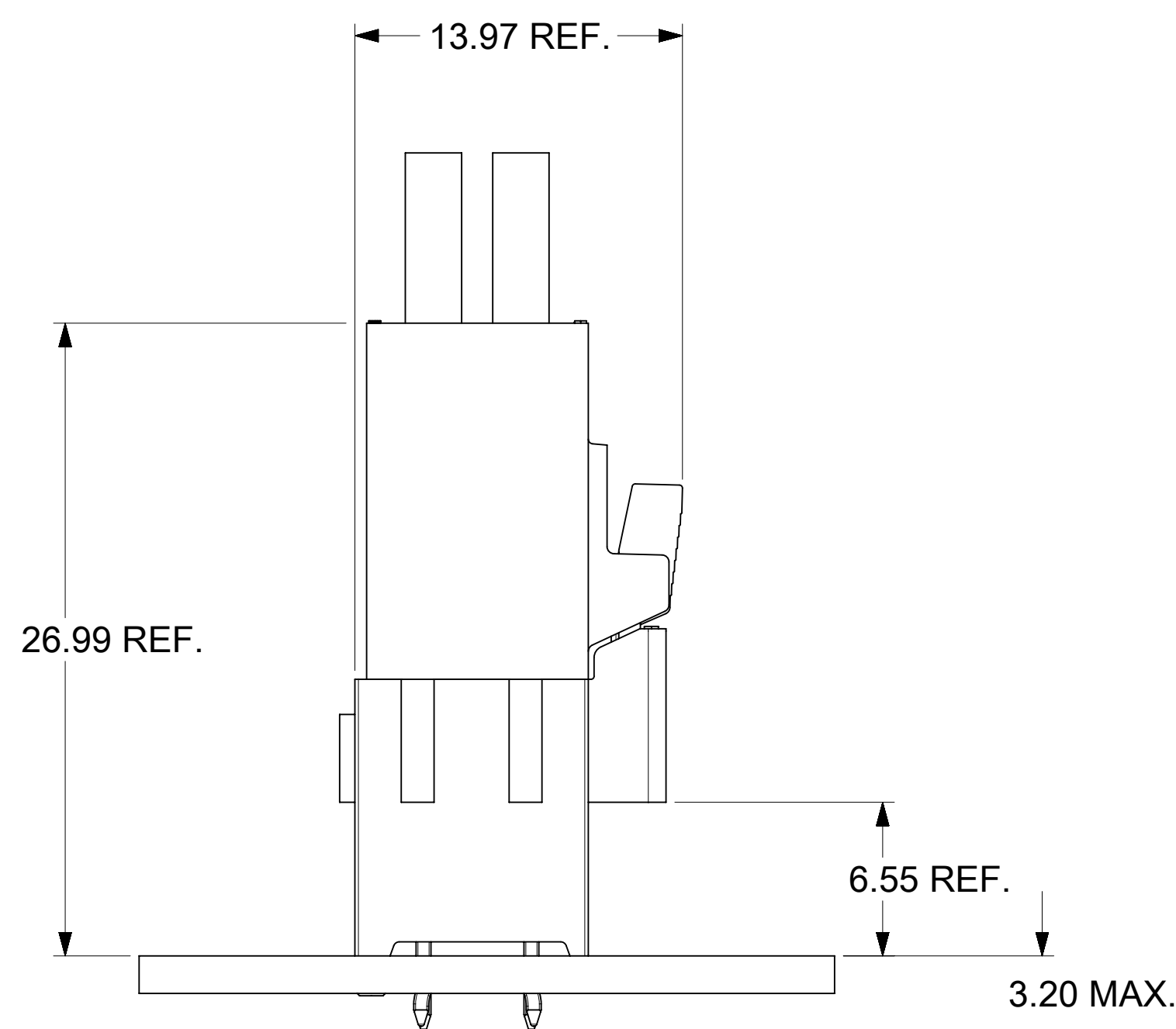


SECTION Y-Y
SCALE 8:1

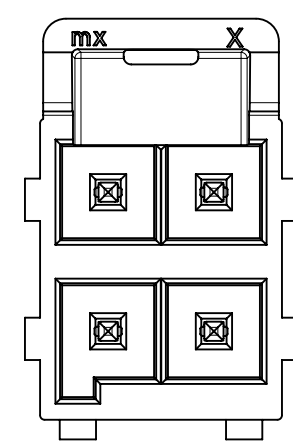


NOTES:

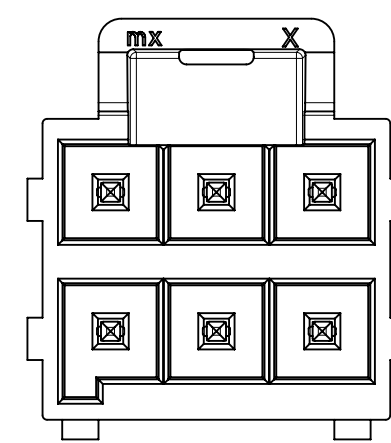
- MATERIAL :
HOUSING
OPTION 1: LCP BLACK, UL94 V-0
OPTION 2: LCP NATURAL, UL94 V-0
TERMINAL: COPPER ALLOY
- PLATING FINISH:
OPTION 1 - 1.52µm(60µin)-2.54µm(100µin) TIN OVER
1.27µm(50µin)-2.54µm(100µin) NICKEL OVERALL
OPTION 2 - 0.38µm(15µin) GOLD CONTACT AREA,
1.52µm(60µin)-2.54µm(100µin) TIN TAIL AREA OVER
1.27µm(50µin)-2.54µm(100µin) NICKEL OVERALL
OPTION 3 - 0.76µm(30µin) GOLD CONTACT AREA,
1.52µm(60µin)-2.54µm(100µin) TIN TAIL AREA OVER
1.27µm(50µin)-2.54µm(100µin) NICKEL OVERALL
- PARTS TO BE PACKAGED PER PK-172298-9001
- PRODUCT SPECIFICATION PS-172323-0001
- PART MATES WITH MOLEX RECEPTACLE HOUSING 172258 AND 172262
- PART CONFORMS TO CLASS "C" REQUIREMENTS OF SPECIFICATION PS-45499-002 WITH 0.13 MM MAXIMUM FLASH ALLOWED IN CORE HOLES AND FRONT SURFACE.
- DISCOLORATION IN THE BANDOLIER AREA OF THE PIN IS INHERENT TO THE PLATING PROCESS AND IS DUE TO THE MASKING EFFECT OF THE CARRIER. THIS DISCOLORATION IS IN A NON-FUNCTIONAL AREA OF THE PIN AND WILL NOT AFFECT THE PERFORMANCE OF THE HEADER ASSEMBLY.
- APPLICATION SPECIFICATION: AS-172323-0001



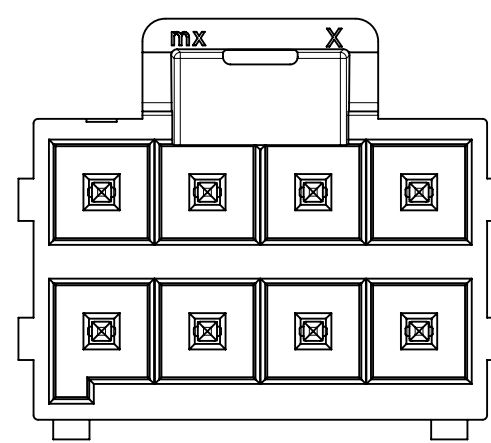
SYMBOLS	THIS DRAWING CONTAINS INFORMATION THAT IS PROPRIETARY TO MOLEX ELECTRONIC TECHNOLOGIES, LLC AND SHOULD NOT BE USED WITHOUT WRITTEN PERMISSION		CURRENT REV DESC: REVISED WITH MODEL		
	DIMENSION UNITS	SCALE			
▽ = 0	mm	4:1			ULTRA-FIT VERT HEADER 4-16 CKTS DUAL ROW KINKED PINS PRODUCT CUSTOMER DRAWING
▽ = 0	GENERAL TOLERANCES (UNLESS SPECIFIED)				
▽ = 0	ANGULAR TOL	± °			EC NO: 632683 DRWN: SCHEN76 2020/02/24 CHK'D: YXZHENG 2020/02/24 APPR: YXZHENG 2020/02/24
▽ = 0	4 PLACES	±			
▽ = 0	3 PLACES	±			INITIAL REVISION: DRWN: DROSCA 2015/04/14 APPR: RHODGE 2016/04/05
▽ = 0	2 PLACES	± 0.25			
▽ = 0	1 PLACE	± 0.5			DOCUMENT NUMBER SD-172298-1000 DOC TYPE DOC PART REVISION PSD 000 C1
▽ = 0	0 PLACES	±			
■ = 0	DRAFT WHERE APPLICABLE MUST REMAIN WITHIN DIMENSIONS	THIRD ANGLE PROJECTION	DRAWING	SERIES	MATERIAL NUMBER
▽ = 0			D-SIZE	172298	CUSTOMER
			GENERAL MARKET		SHEET NUMBER
					1 OF 2



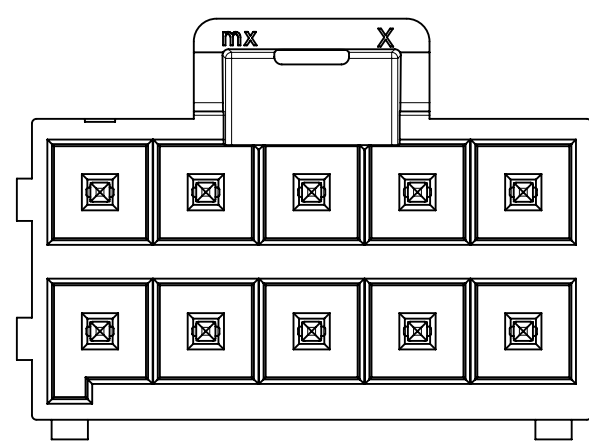
4 CKT



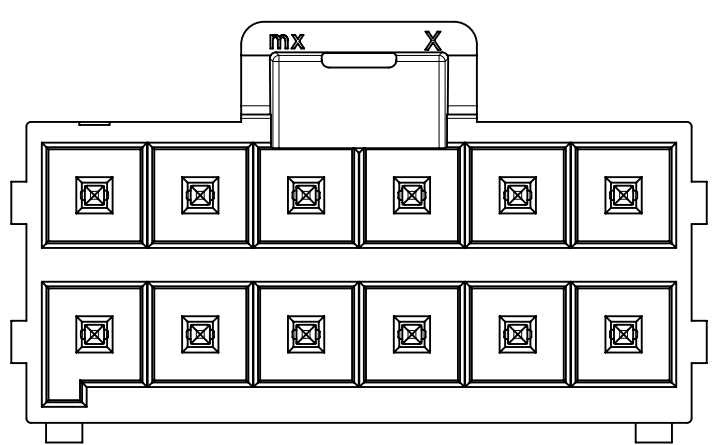
6 CKT



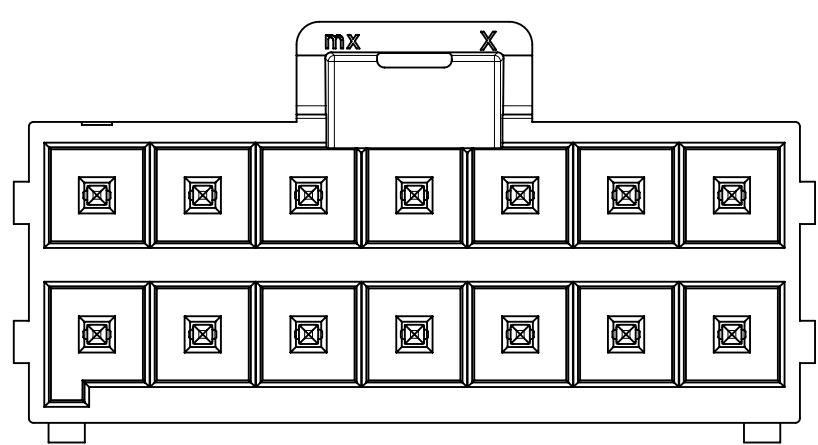
8 CKT



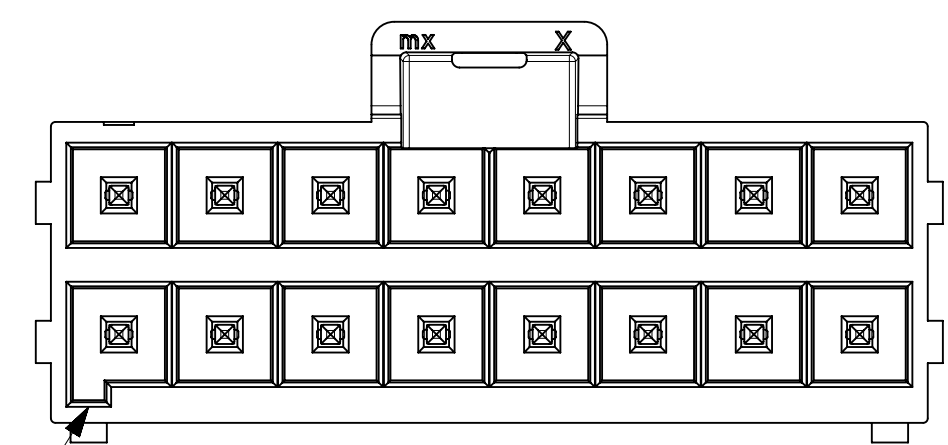
10 CKT



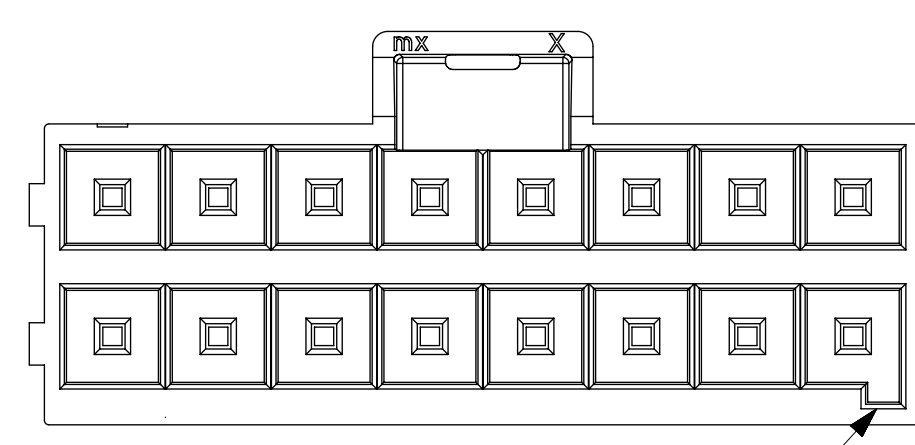
12 CKT



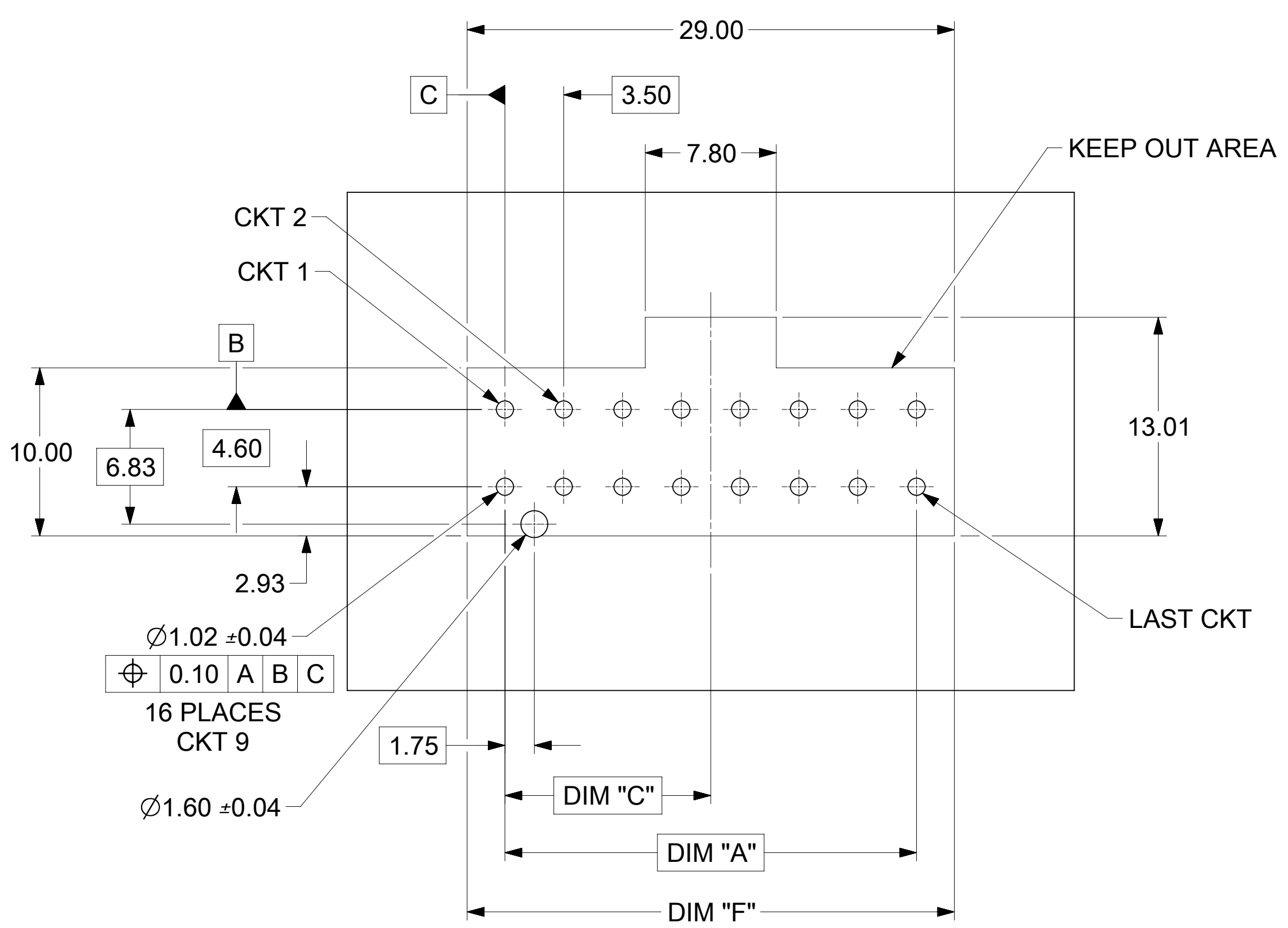
14 CKT



KEY A
(BLACK)



KEY B
(NATURAL)



NOTE: DATUM -A- IS ON PCB COMPONENT SIDE

TIN PLATING						
PART NO.	COLOR	CIRCUIT SIZE	KEY OPTION	DIM A	DIM F	DIM C
172298-1104	BLACK	4	KEY A	3.50	8.00	1.75
172298-1106	BLACK	6	KEY A	7.00	11.50	3.50
172298-1108	BLACK	8	KEY A	10.50	15.00	5.25
172298-1110	BLACK	10	KEY A	14.00	18.50	7.00
172298-1112	BLACK	12	KEY A	17.50	22.00	8.75
172298-1114	BLACK	14	KEY A	21.00	25.50	10.50
172298-1116	BLACK	16	KEY A	24.50	29.00	12.25
172298-2104	NATURAL	4	KEY B	3.50	8.00	1.75
172298-2106	NATURAL	6	KEY B	7.00	11.50	3.50
172298-2108	NATURAL	8	KEY B	10.50	15.00	5.25
172298-2110	NATURAL	10	KEY B	14.00	18.50	7.00
172298-2112	NATURAL	12	KEY B	17.50	22.00	8.75
172298-2114	NATURAL	14	KEY B	21.00	25.50	10.50
172298-2116	NATURAL	16	KEY B	24.50	29.00	12.25

15 MICROINCH GOLD PLATING						
PART NO.	COLOR	CIRCUIT SIZE	KEY OPTION	DIM A	DIM F	DIM C
172298-1204	BLACK	4	KEY A	3.50	8.00	1.75
172298-1206	BLACK	6	KEY A	7.00	11.50	3.50
172298-1208	BLACK	8	KEY A	10.50	15.00	5.25
172298-1210	BLACK	10	KEY A	14.00	18.50	7.00
172298-1212	BLACK	12	KEY A	17.50	22.00	8.75
172298-1214	BLACK	14	KEY A	21.00	25.50	10.50
172298-1216	BLACK	16	KEY A	24.50	29.00	12.25
172298-2204	NATURAL	4	KEY B	3.50	8.00	1.75
172298-2206	NATURAL	6	KEY B	7.00	11.50	3.50
172298-2208	NATURAL	8	KEY B	10.50	15.00	5.25
172298-2210	NATURAL	10	KEY B	14.00	18.50	7.00
172298-2212	NATURAL	12	KEY B	17.50	22.00	8.75
172298-2214	NATURAL	14	KEY B	21.00	25.50	10.50
172298-2216	NATURAL	16	KEY B	24.50	29.00	12.25

30 MICROINCH GOLD PLATING						
PART NO.	COLOR	CIRCUIT SIZE	KEY OPTION	DIM A	DIM F	DIM C
172298-1304	BLACK	4	KEY A	3.50	8.00	1.75
172298-1306	BLACK	6	KEY A	7.00	11.50	3.50
172298-1308	BLACK	8	KEY A	10.50	15.00	5.25
172298-1310	BLACK	10	KEY A	14.00	18.50	7.00
172298-1312	BLACK	12	KEY A	17.50	22.00	8.75
172298-1314	BLACK	14	KEY A	21.00	25.50	10.50
172298-1316	BLACK	16	KEY A	24.50	29.00	12.25
172298-2304	NATURAL	4	KEY B	3.50	8.00	1.75
172298-2306	NATURAL	6	KEY B	7.00	11.50	3.50
172298-2308	NATURAL	8	KEY B	10.50	15.00	5.25
172298-2310	NATURAL	10	KEY B	14.00	18.50	7.00
172298-2312	NATURAL	12	KEY B	17.50	22.00	8.75
172298-2314	NATURAL	14	KEY B	21.00	25.50	10.50
172298-2316	NATURAL	16	KEY B	24.50	29.00	12.25

SYMBOLS	THIS DRAWING CONTAINS INFORMATION THAT IS PROPRIETARY TO MOLEX ELECTRONIC TECHNOLOGIES, LLC AND SHOULD NOT BE USED WITHOUT WRITTEN PERMISSION		CURRENT REV DESC: REVISED WITH MODEL		
	DIMENSION UNITS	SCALE			
▽ = 0	mm	4:1	<p>molex</p> <p>ULTRA-FIT VERT HEADER 4-16 CKTS DUAL ROW KINKED PINS</p> <p>PRODUCT CUSTOMER DRAWING</p> <p>DOCUMENT NUMBER: SD-172298-1000 DOC TYPE: PSD DOC PART: 000 REVISION: C1</p> <p>EC NO: 632683 DRWN: SCHEN76 2020/02/24 CHK'D: YXZHENG 2020/02/24 APPR: YXZHENG 2020/02/24</p> <p>INITIAL REVISION: DRWN: DROSCA 2015/04/14 APPR: RHODGE 2016/04/05</p> <p>DRAFT WHERE APPLICABLE THIRD ANGLE PROJECTION DRAWING SERIES: D-SIZE 172298 MATERIAL NUMBER: GENERAL MARKET SHEET NUMBER: 2 OF 2</p>		
▽ = 0	GENERAL TOLERANCES (UNLESS SPECIFIED)				
▽ = 0	ANGULAR TOL ± °				
▽ = 0	4 PLACES ±				
▽ = 0	3 PLACES ±				
▽ = 0	2 PLACES ± 0.25				
▽ = 0	1 PLACE ± 0.5				
▽ = 0	0 PLACES ±				
▽ = 0	DRAFT WHERE APPLICABLE MUST REMAIN WITHIN DIMENSIONS				