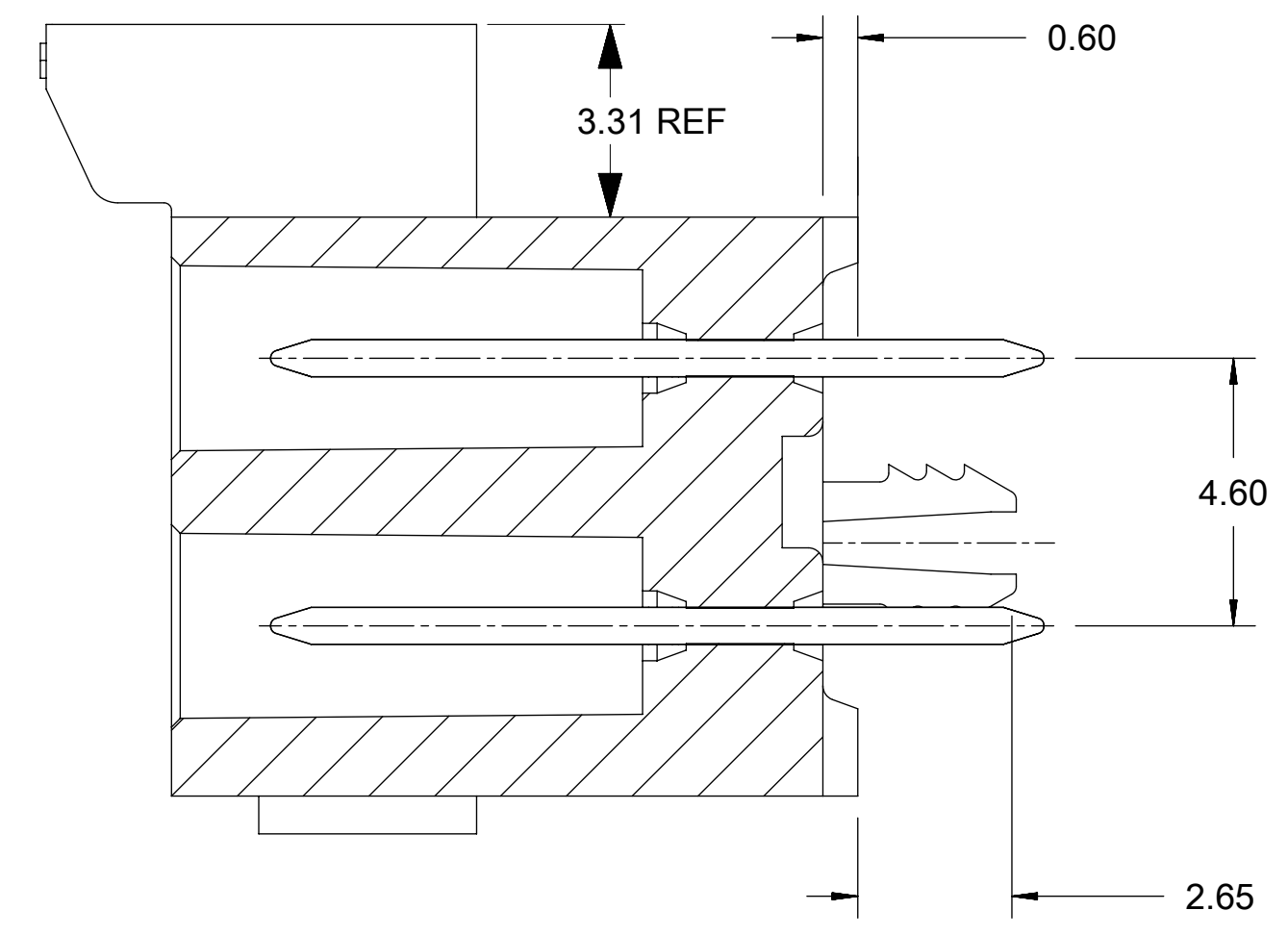
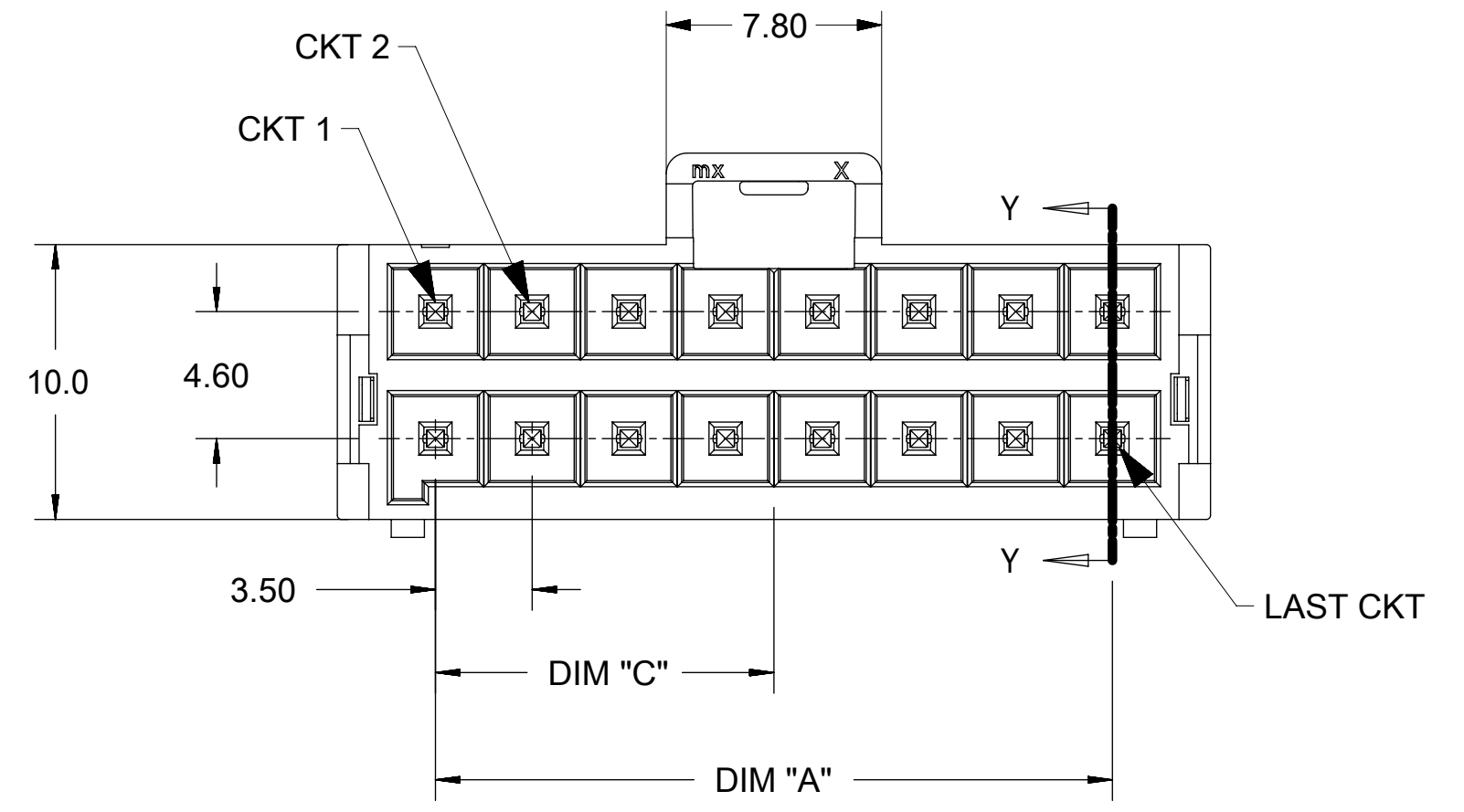
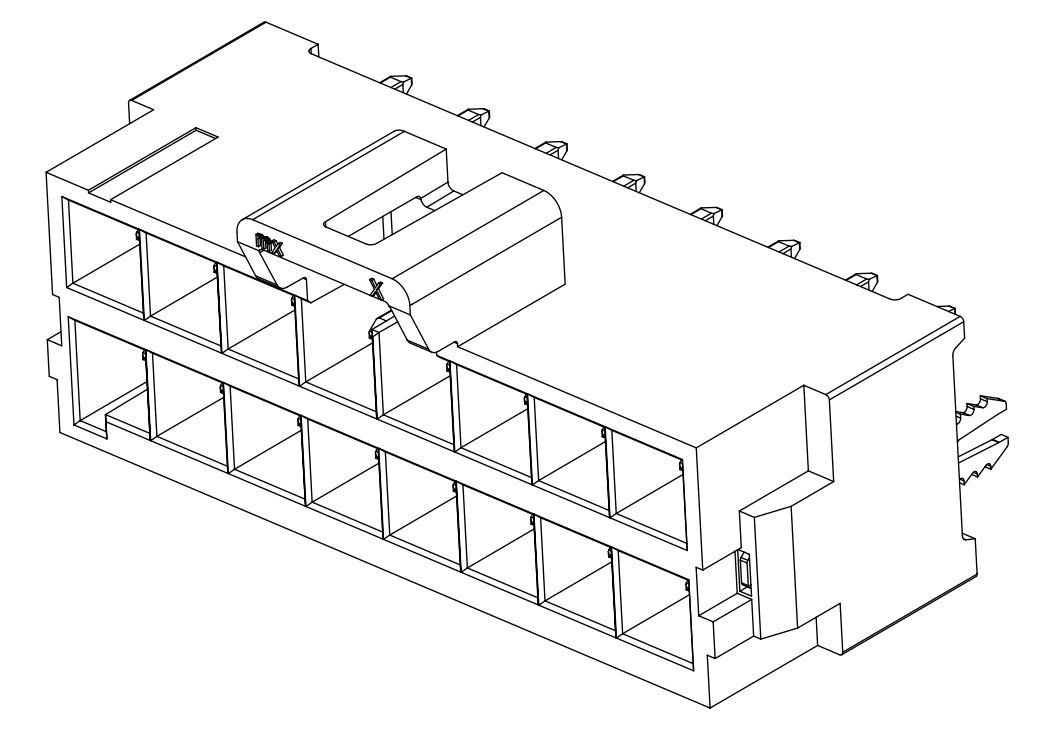
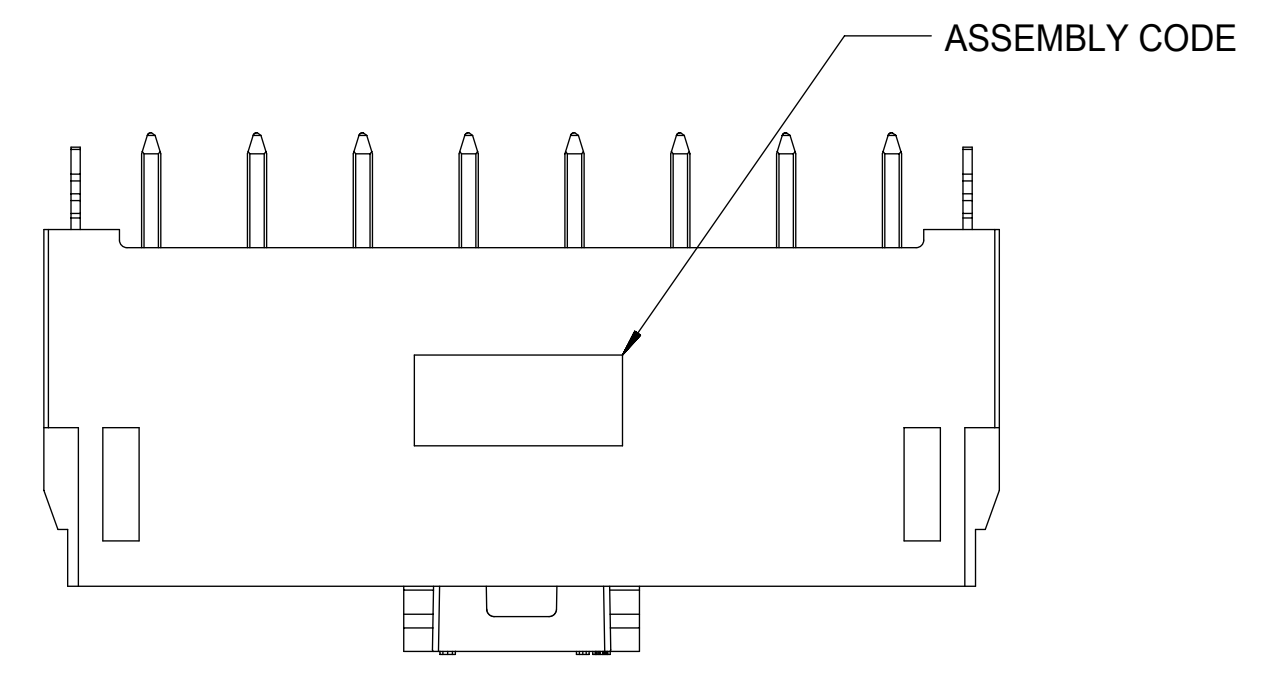
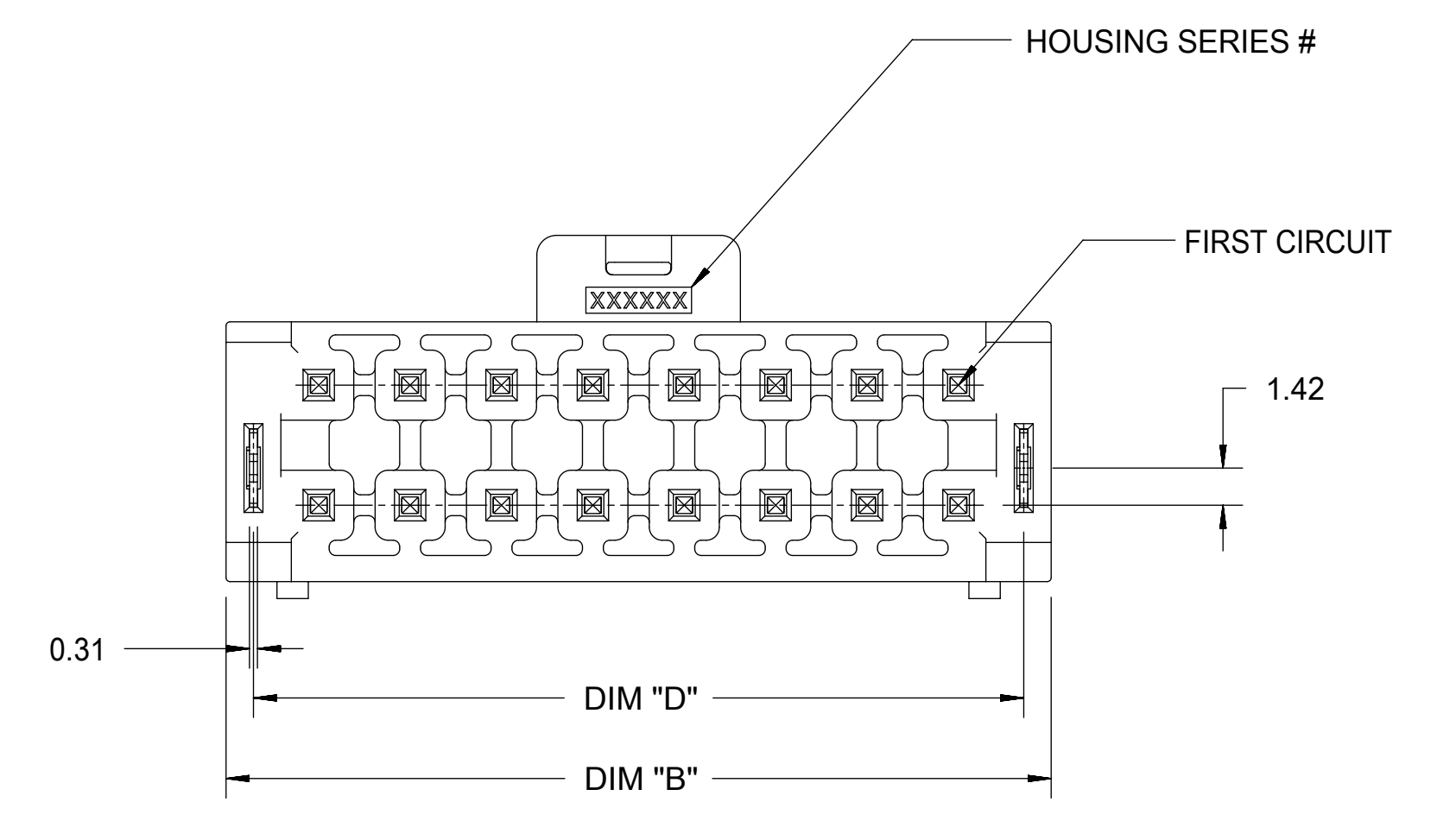


FIRST CIRCUIT MARK
(NOT SHOWING ON 4
AND 6 CIRCUITS SERIES)

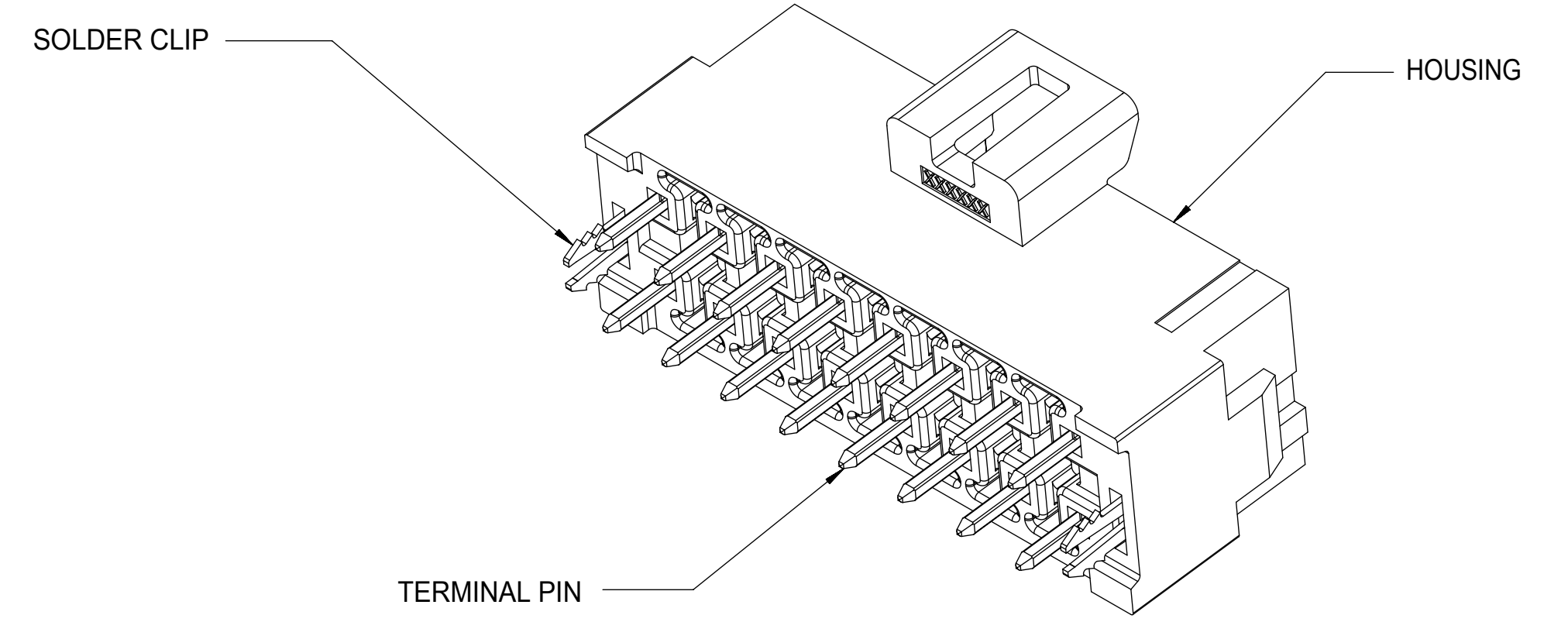
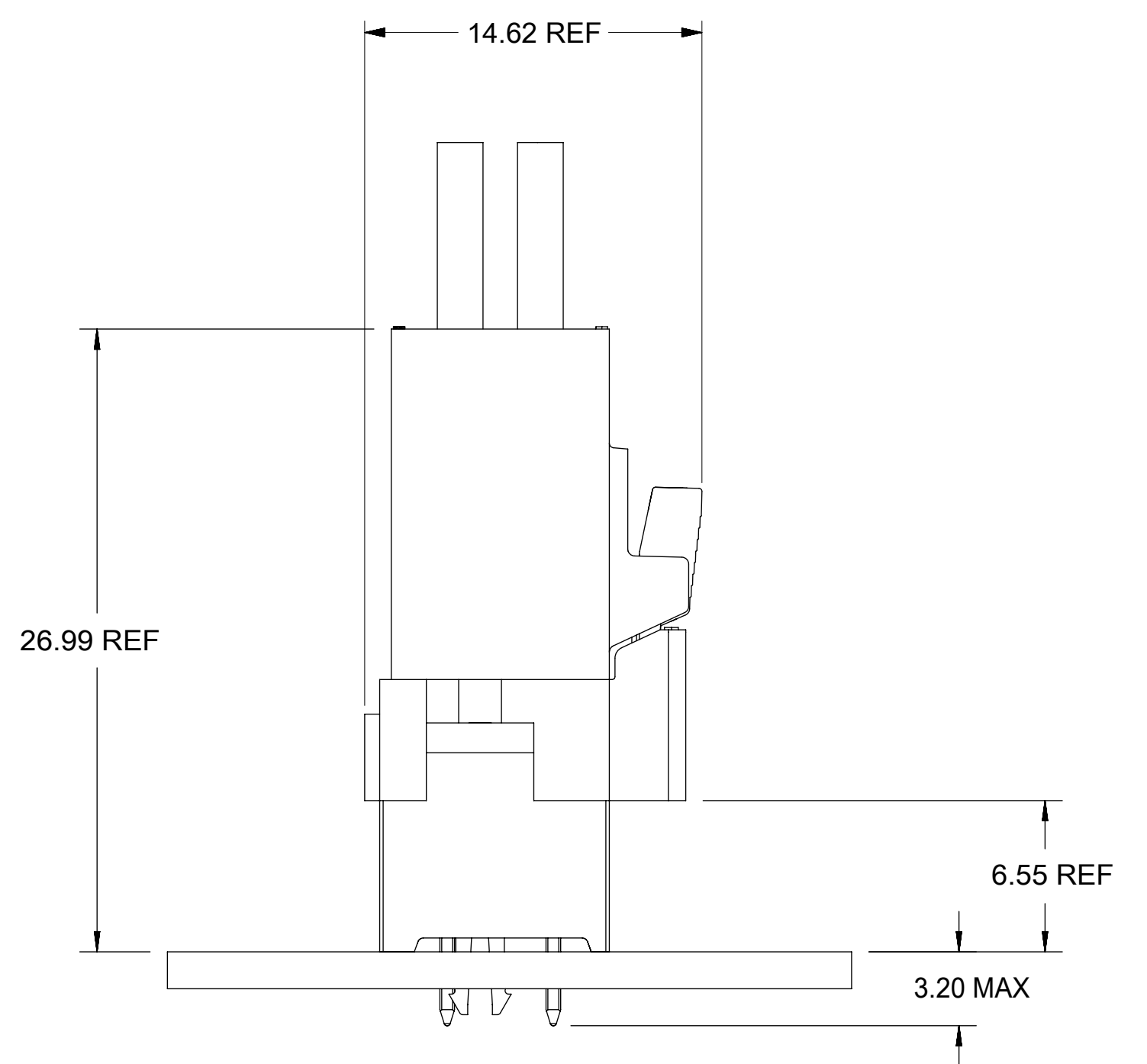


SECTION Y-Y
SCALE 8:1



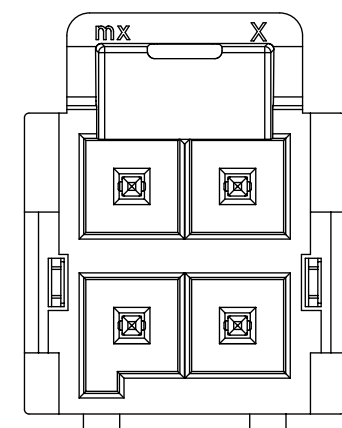
NOTES:

- MATERIAL:
HOUSING
OPTION 1: LCP BLACK, UL94 V-0
OPTION 2: LCP NATURAL, UL94 V-0
TERMINAL: COPPER ALLOY
- PLATING FINISH:
OPTION 1 - 1.5µm(60µin)-2.5µm(100µin) TIN OVER
1.25µm(50µin)-2.5µm(100µin) NICKEL OVERALL
OPTION 2 - 0.35µm(15µin) GOLD CONTACT AREA,
1.5µm(60µin)-2.5µm(100µin) TIN TAIL AREA OVER
1.25µm(50µin)-2.5µm(100µin) NICKEL OVERALL
OPTION 3 - 0.70µm(30µin) GOLD CONTACT AREA,
1.5µm(60µin)-2.5µm(100µin) TIN TAIL AREA OVER
1.25µm(50µin)-2.5µm(100µin) NICKEL OVERALL
- PARTS TO BE PACKAGED PER PK-172299-9001
- PRODUCT SPECIFICATION PS-172323-0001
- PART MATES WITH MOLEX RECEPTACLE HOUSING
172258 AND 172262
- PART CONFORMS TO CLASS "C" REQUIREMENTS OF SPECIFICATION
PS-45499-002 WITH 0.13 MM MAXIMUM FLASH ALLOWED IN CORE
HOLES AND FRONT SURFACE.
- DISCOLORATION IN THE BANDOLIER AREA OF THE PIN IS
INHERENT TO THE PLATING PROCESS AND IS DUE TO THE MASKING
EFFECT OF THE CARRIER. THIS DISCOLORATION IS IN A NON-FUNCTIONAL
AREA OF THE PIN AND WILL NOT AFFECT THE PERFORMANCE OF THE
HEADER ASSEMBLY.
- APPLICATION SPECIFICATION: AS-172323-0001

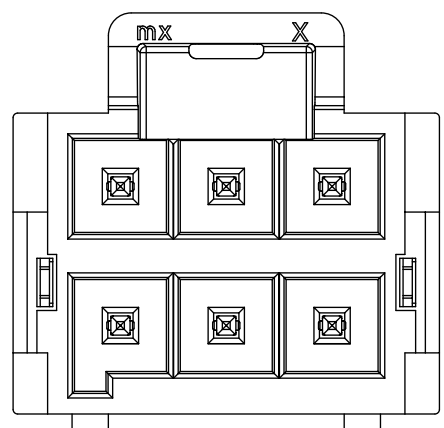


| | | | | | | | | | |
|---|--|--------------|---------------------------------------|------------------------|-----------------|----------------|--|-----------------|----------|
| THIS DRAWING CONTAINS INFORMATION THAT IS PROPRIETARY TO MOLEX ELECTRONIC TECHNOLOGIES, LLC AND SHOULD NOT BE USED WITHOUT WRITTEN PERMISSION | | | | | | | | | |
| QUALITY SYMBOLS | 2017/02/24 | 2016/03/30 | GENERAL TOLERANCES (UNLESS SPECIFIED) | | DIMENSION UNITS | SCALE | | | |
| ▽ = 0 | DRWN: PPEREZ03 | CHKD: RHODGE | ANGULAR TOL ± ° | | MM | 4:1 | | | |
| ▽ = 0 | EC NO: 170023 | REV APPR: | 4 PLACES ± | | DRWN BY | DATE | ULTRA-FIT VERT HEADER 4-16 CKTS DUAL ROW WITH SOLDER CLIP | | |
| ▽ = 0 | | | 3 PLACES ± | | DROSCA | 2014/03/04 | | | |
| ▽ = 0 | | | 2 PLACES ± 0.25 | | CHKD BY | DATE | PRODUCT CUSTOMER DRAWING | | |
| ▽ = 0 | | | 1 PLACE ± 0.5 | | APPR BY | DATE | | | |
| ▽ = 0 | | | 0 PLACES ± | | JCOMERCI | 2014/04/24 | SERIES | MATERIAL NUMBER | CUSTOMER |
| ▽ = 0 | DRAFT WHERE APPLICABLE MUST REMAIN WITHIN DIMENSIONS | | DRAWING SIZE | THIRD ANGLE PROJECTION | 172299 | GENERAL MARKET | | | |
| ▽ = 0 | B8 | | D | | DOCUMENT NUMBER | DOC TYPE | DOC PART | SHEET NUMBER | |
| | | | | | SD-172299-1000 | PSD | 000 | 1 OF 2 | |

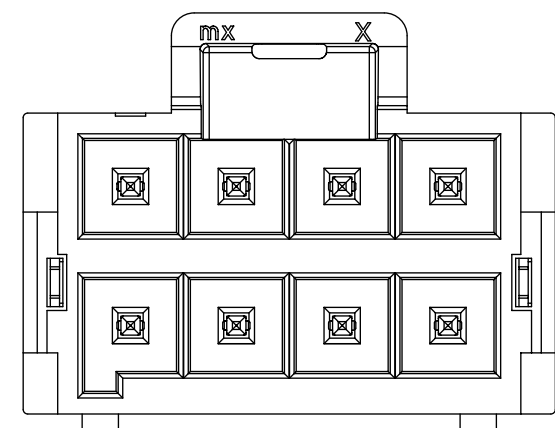
| | |
|----------------|--------------|
| RELEASE STATUS | RELEASE DATE |
| | |



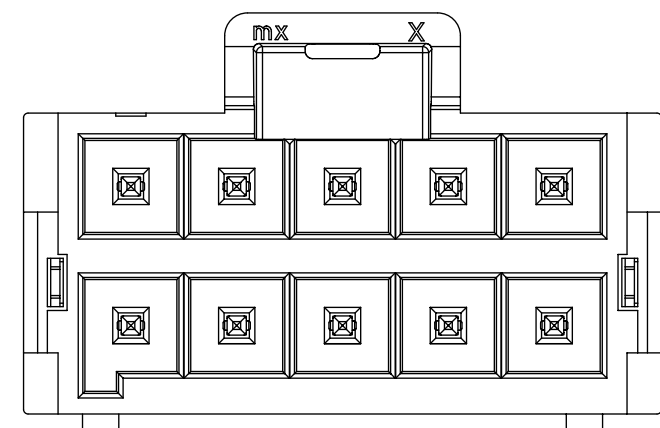
2 CKT



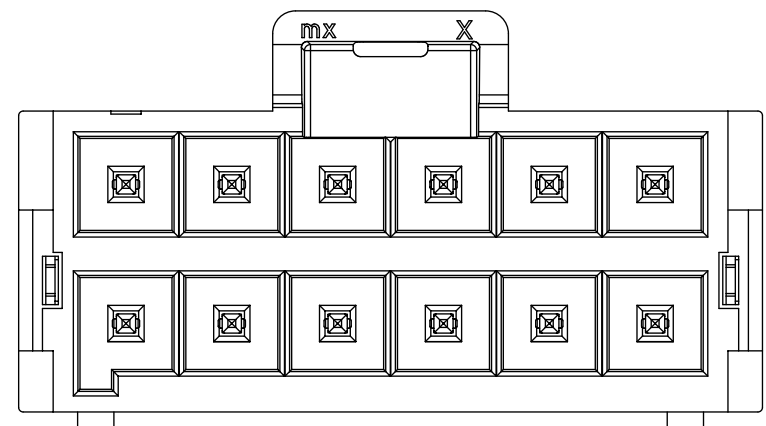
6 CKT



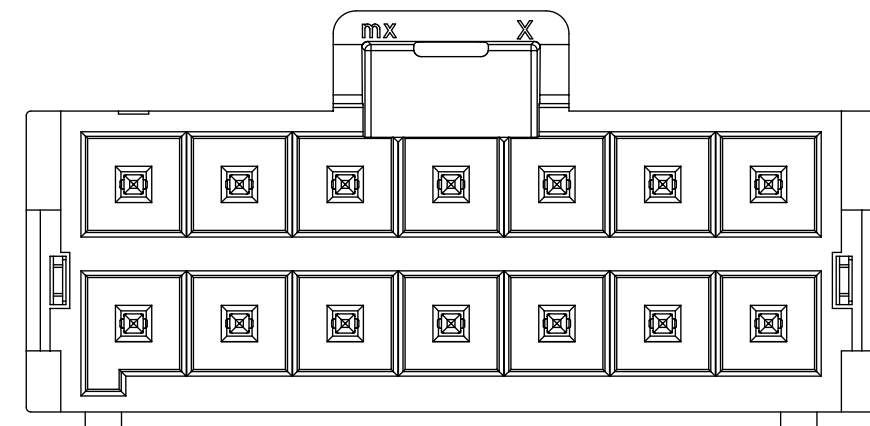
8 CKT



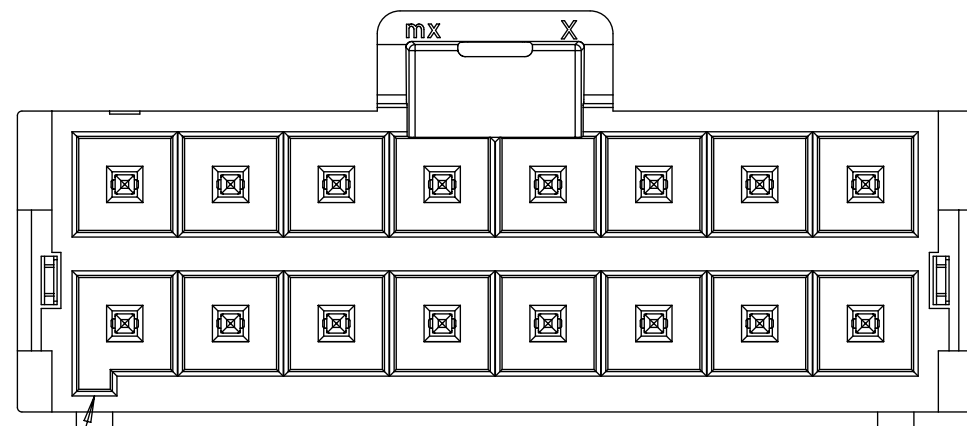
10 CKT



12 CKT

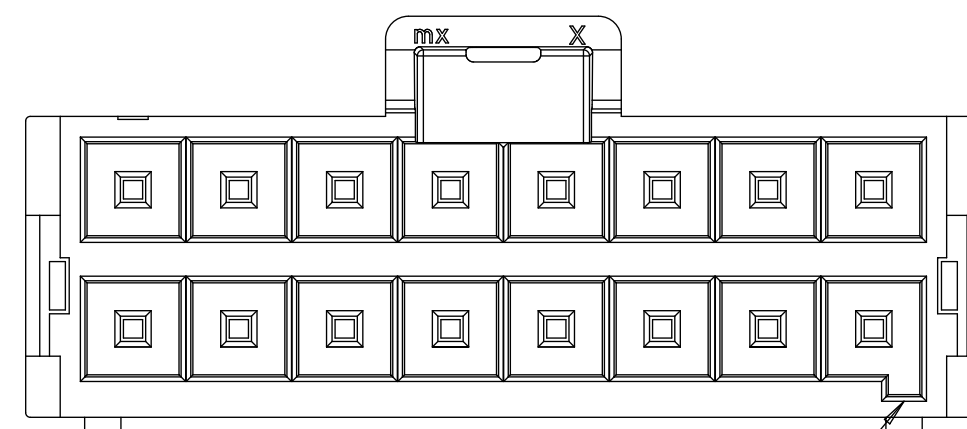


14 CKT

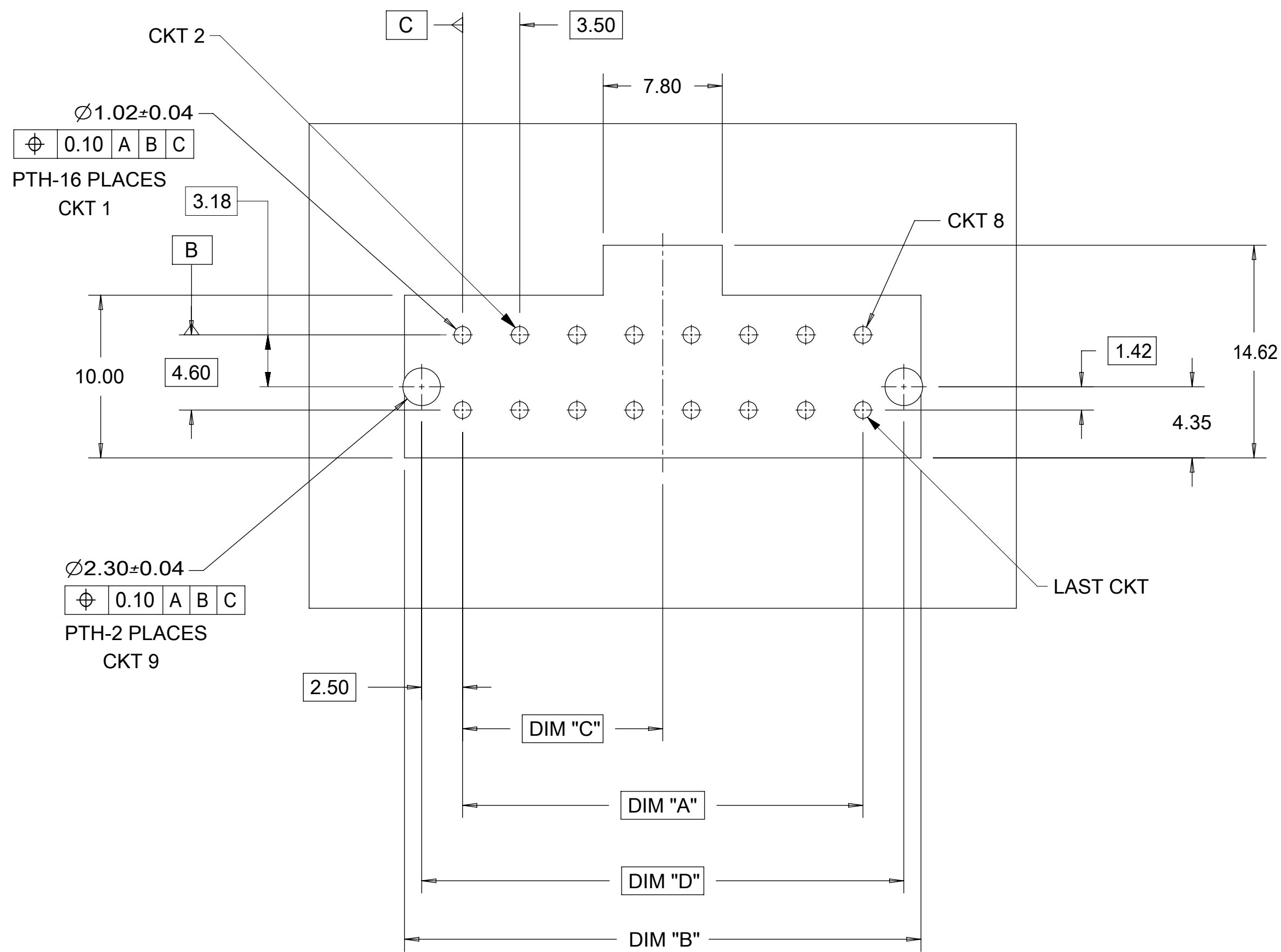


16 CKT

KEY A
(BLACK)



KEY B
(NATURAL)



NOTE: DATUM -A- IS ON PCB COMPONENT SIDE

PCB LAYOUT COMPONENT SIDE
RECOMENDED PCB THICKNESS 1.60MM-2.40MM

| TIN PLATING | | | | | | | |
|-------------|---------|--------------|------------|-------|-------|-------|-------|
| PART NO. | COLOR | CIRCUIT SIZE | KEY OPTION | DIM A | DIM B | DIM C | DIM D |
| 172299-1104 | BLACK | 4 | KEY A | 3.50 | 10.60 | 1.75 | 8.50 |
| 172299-1106 | BLACK | 6 | KEY A | 7.00 | 14.10 | 3.50 | 12.00 |
| 172299-1108 | BLACK | 8 | KEY A | 10.50 | 17.60 | 5.25 | 15.50 |
| 172299-1110 | BLACK | 10 | KEY A | 14.00 | 21.10 | 7.00 | 19.00 |
| 172299-1112 | BLACK | 12 | KEY A | 17.50 | 24.60 | 8.75 | 22.50 |
| 172299-1114 | BLACK | 14 | KEY A | 21.00 | 28.10 | 10.50 | 26.00 |
| 172299-1116 | BLACK | 16 | KEY A | 24.50 | 31.60 | 12.25 | 29.50 |
| 172299-2104 | NATURAL | 4 | KEY B | 3.50 | 10.60 | 1.75 | 8.50 |
| 172299-2106 | NATURAL | 6 | KEY B | 7.00 | 14.10 | 3.50 | 12.00 |
| 172299-2108 | NATURAL | 8 | KEY B | 10.50 | 17.60 | 5.25 | 15.50 |
| 172299-2110 | NATURAL | 10 | KEY B | 14.00 | 21.10 | 7.00 | 19.00 |
| 172299-2112 | NATURAL | 12 | KEY B | 17.50 | 24.60 | 8.75 | 22.50 |
| 172299-2114 | NATURAL | 14 | KEY B | 21.00 | 28.10 | 10.50 | 26.00 |
| 172299-2116 | NATURAL | 16 | KEY B | 24.50 | 31.60 | 12.25 | 29.50 |

| 15 MICROINCH GOLD PLATING | | | | | | | |
|---------------------------|---------|--------------|------------|-------|-------|-------|-------|
| PART NO. | COLOR | CIRCUIT SIZE | KEY OPTION | DIM A | DIM B | DIM C | DIM D |
| 172299-1204 | BLACK | 4 | KEY A | 3.50 | 10.60 | 1.75 | 8.50 |
| 172299-1206 | BLACK | 6 | KEY A | 7.00 | 14.10 | 3.50 | 12.00 |
| 172299-1208 | BLACK | 8 | KEY A | 10.50 | 17.60 | 5.25 | 15.50 |
| 172299-1210 | BLACK | 10 | KEY A | 14.00 | 21.10 | 7.00 | 19.00 |
| 172299-1212 | BLACK | 12 | KEY A | 17.50 | 24.60 | 8.75 | 22.50 |
| 172299-1214 | BLACK | 14 | KEY A | 21.00 | 28.10 | 10.50 | 26.00 |
| 172299-1216 | BLACK | 16 | KEY A | 24.50 | 31.60 | 12.25 | 29.50 |
| 172299-2204 | NATURAL | 4 | KEY B | 3.50 | 10.60 | 1.75 | 8.50 |
| 172299-2206 | NATURAL | 6 | KEY B | 7.00 | 14.10 | 3.50 | 12.00 |
| 172299-2208 | NATURAL | 8 | KEY B | 10.50 | 17.60 | 5.25 | 15.50 |
| 172299-2210 | NATURAL | 10 | KEY B | 14.00 | 21.10 | 7.00 | 19.00 |
| 172299-2212 | NATURAL | 12 | KEY B | 17.50 | 24.60 | 8.75 | 22.50 |
| 172299-2214 | NATURAL | 14 | KEY B | 21.00 | 28.10 | 10.50 | 26.00 |
| 172299-2216 | NATURAL | 16 | KEY B | 24.50 | 31.60 | 12.25 | 29.50 |

| 30 MICROINCH GOLD PLATING | | | | | | | |
|---------------------------|---------|--------------|------------|-------|-------|-------|-------|
| PART NO. | COLOR | CIRCUIT SIZE | KEY OPTION | DIM A | DIM B | DIM C | DIM D |
| 172299-1304 | BLACK | 4 | KEY A | 3.50 | 10.60 | 1.75 | 8.50 |
| 172299-1306 | BLACK | 6 | KEY A | 7.00 | 14.10 | 3.50 | 12.00 |
| 172299-1308 | BLACK | 8 | KEY A | 10.50 | 17.60 | 5.25 | 15.50 |
| 172299-1310 | BLACK | 10 | KEY A | 14.00 | 21.10 | 7.00 | 19.00 |
| 172299-1312 | BLACK | 12 | KEY A | 17.50 | 24.60 | 8.75 | 22.50 |
| 172299-1314 | BLACK | 14 | KEY A | 21.00 | 28.10 | 10.50 | 26.00 |
| 172299-1316 | BLACK | 16 | KEY A | 24.50 | 31.60 | 12.25 | 29.50 |
| 172299-2304 | NATURAL | 4 | KEY B | 3.50 | 10.60 | 1.75 | 8.50 |
| 172299-2306 | NATURAL | 6 | KEY B | 7.00 | 14.10 | 3.50 | 12.00 |
| 172299-2308 | NATURAL | 8 | KEY B | 10.50 | 17.60 | 5.25 | 15.50 |
| 172299-2310 | NATURAL | 10 | KEY B | 14.00 | 21.10 | 7.00 | 19.00 |
| 172299-2312 | NATURAL | 12 | KEY B | 17.50 | 24.60 | 8.75 | 22.50 |
| 172299-2314 | NATURAL | 14 | KEY B | 21.00 | 28.10 | 10.50 | 26.00 |
| 172299-2316 | NATURAL | 16 | KEY B | 24.50 | 31.60 | 12.25 | 29.50 |

| | | | | | | |
|--|---|---|---------------------------------------|--|--------|--|
| QUALITY SYMBOLS F = 0 E = 0 D = 0 C = 0 B = 0 A = 0 0 = 0 1 = 0 2 = 0 3 = 0 4 = 0 5 = 0 6 = 0 7 = 0 8 = 0 9 = 0 | THIS DRAWING CONTAINS INFORMATION THAT IS PROPRIETARY TO MOLEX ELECTRONIC TECHNOLOGIES, LLC AND SHOULD NOT BE USED WITHOUT WRITTEN PERMISSION | | DIMENSION UNITS: MM SCALE: 4:1 | | | |
| | GENERAL TOLERANCES (UNLESS SPECIFIED) ANGULAR TOL ± ° | | DRWN BY: DROSCA DATE: 2014/03/04 | | | ULTRA-FIT VERT HEADER 4-16 CKTS DUAL ROW WITH SOLDER CLIP |
| | 4 PLACES ± 3 PLACES ± 2 PLACES ± 0.25 1 PLACE ± 0.5 0 PLACES ± | | CHKD BY: JCOMERCI DATE: 2014/04/24 | | | |
| | DRAFT WHERE APPLICABLE MUST REMAIN WITHIN DIMENSIONS | | APPR BY: JCOMERCI DATE: 2014/04/24 | | | PRODUCT CUSTOMER DRAWING |
| EC NO: 170023 DRWN: PPEREZ03 CHKD: RHODGE REV APPR: | B8 | SERIES: 172299 MATERIAL NUMBER: SD-172299-1000 DOCUMENT NUMBER: | DATE: 2014/03/30 | CUSTOMER: GENERAL MARKET DOC PART: PSD SHEET NUMBER: 000 2 OF 2 | 172299 | |