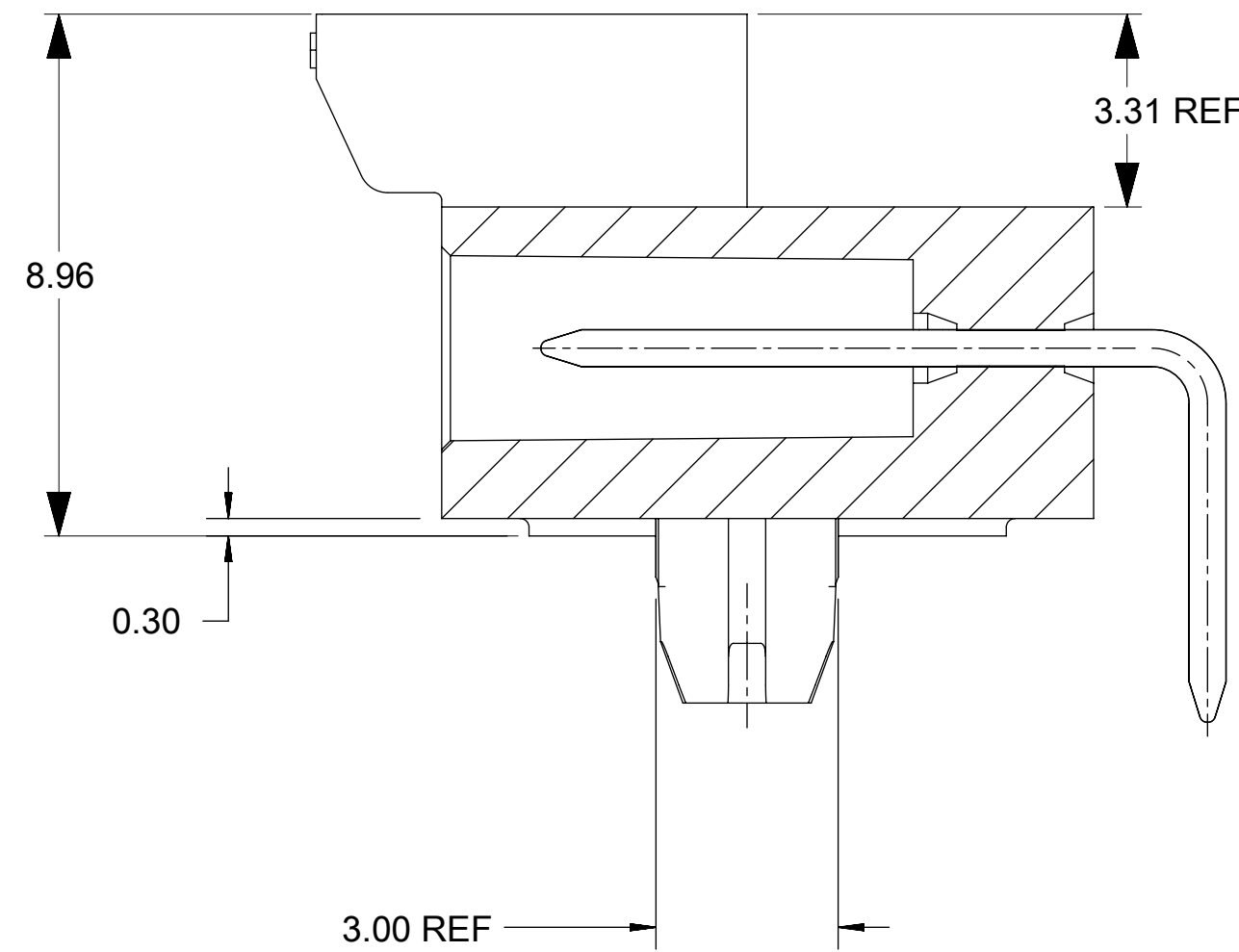
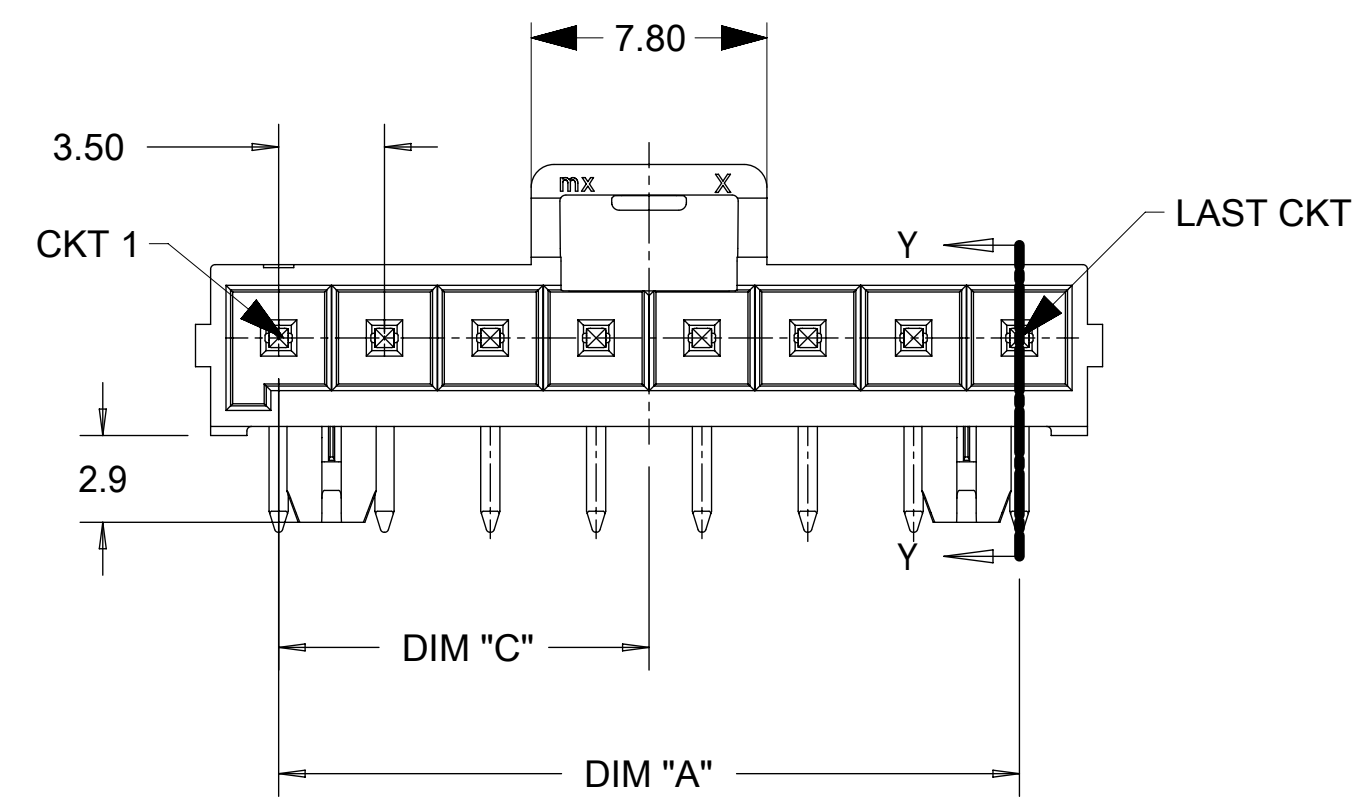
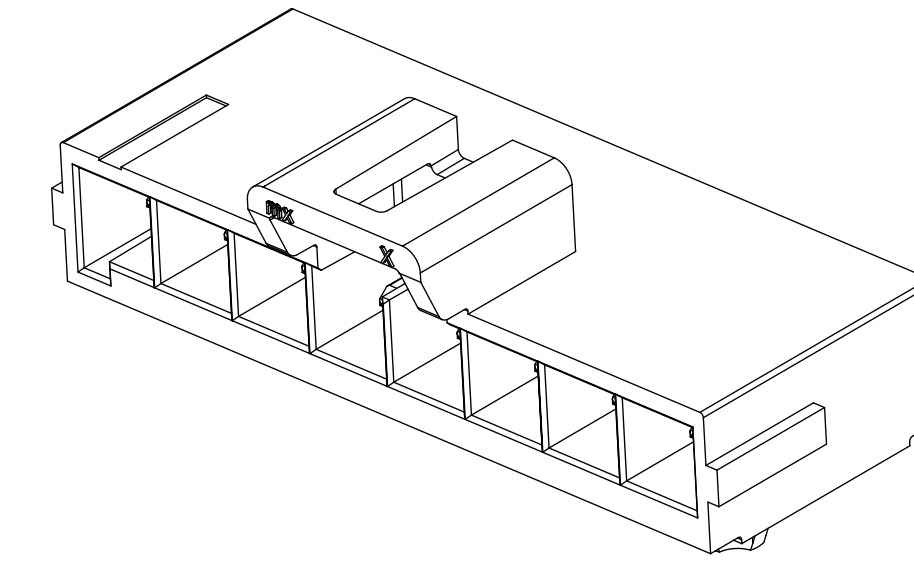
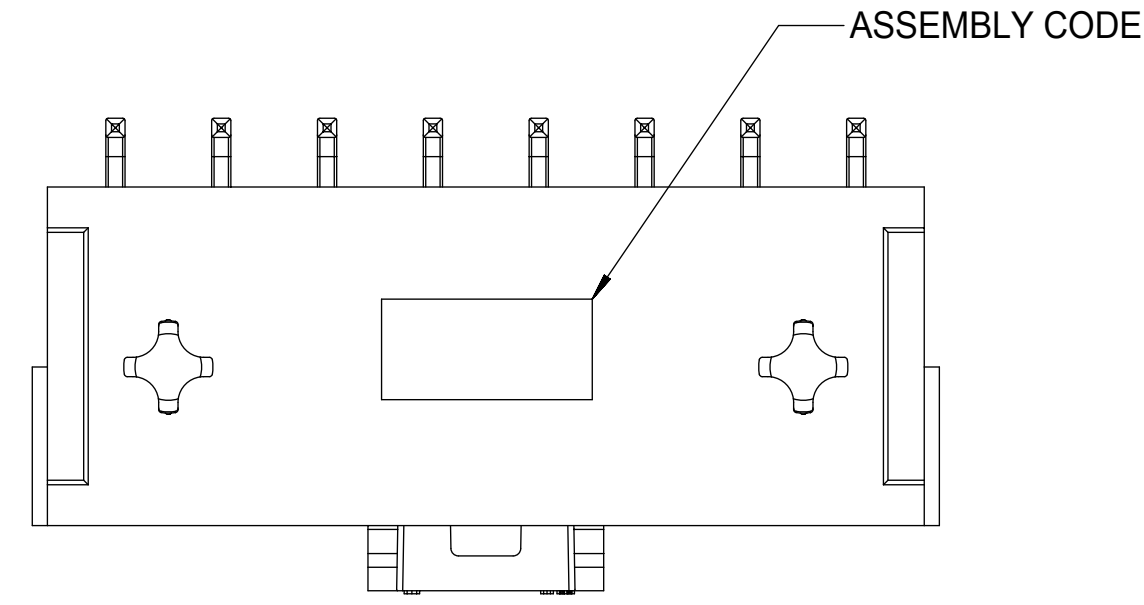
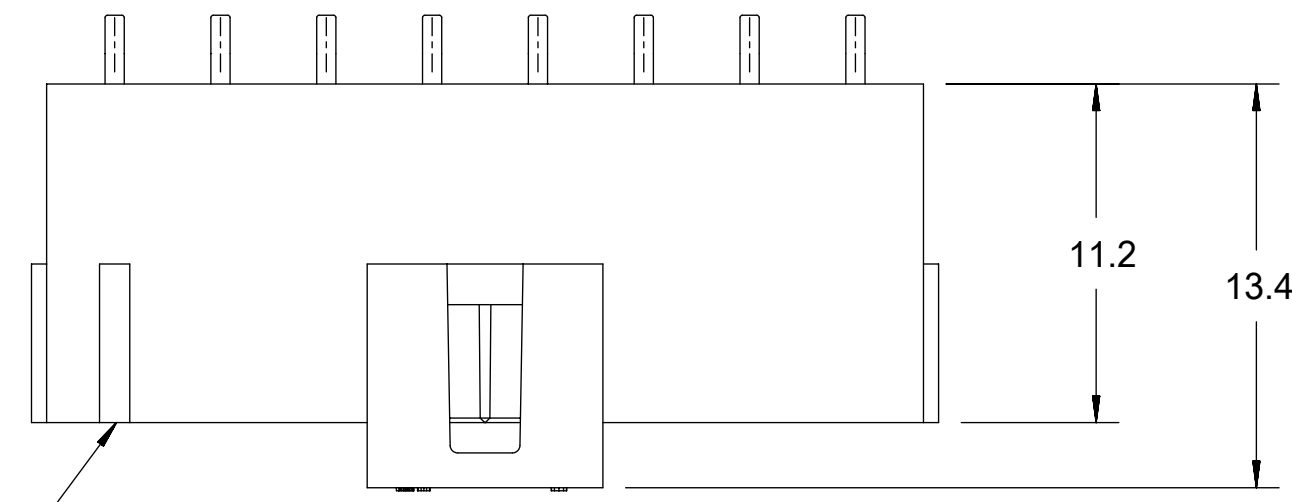
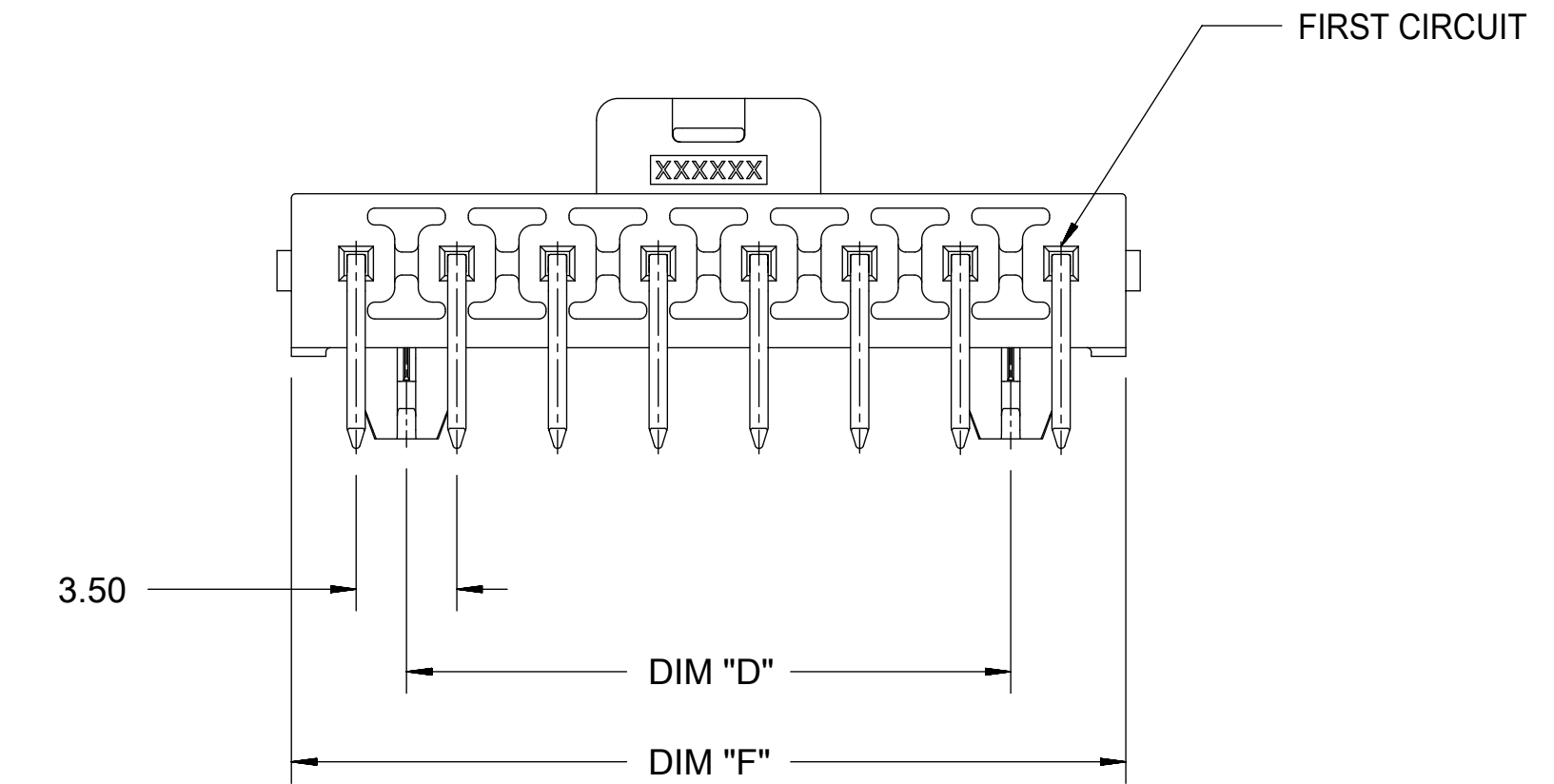


FIRST CIRCUIT MARK
(NOT SHOWING ON 2
AND 3 CIRCUITS SERIES)

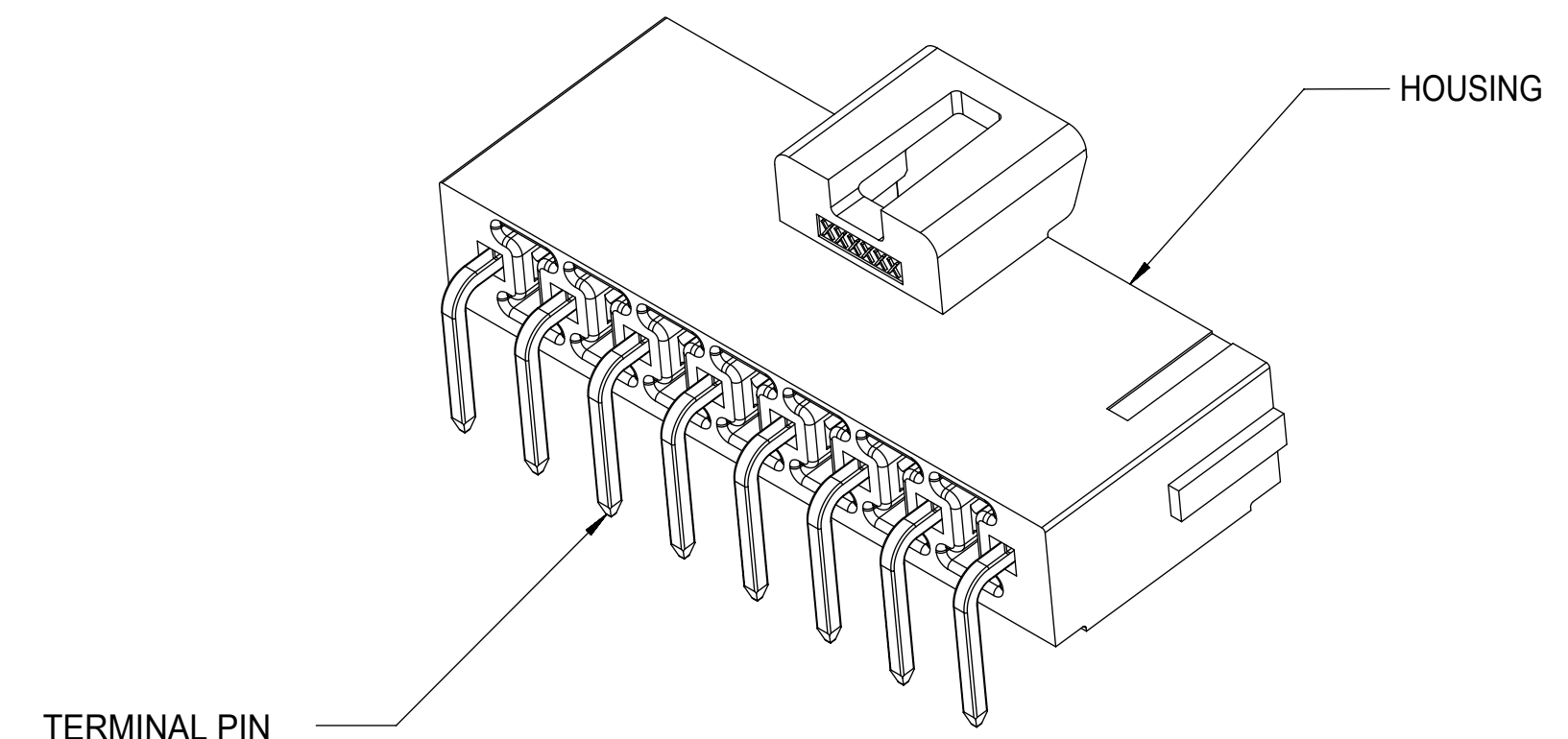
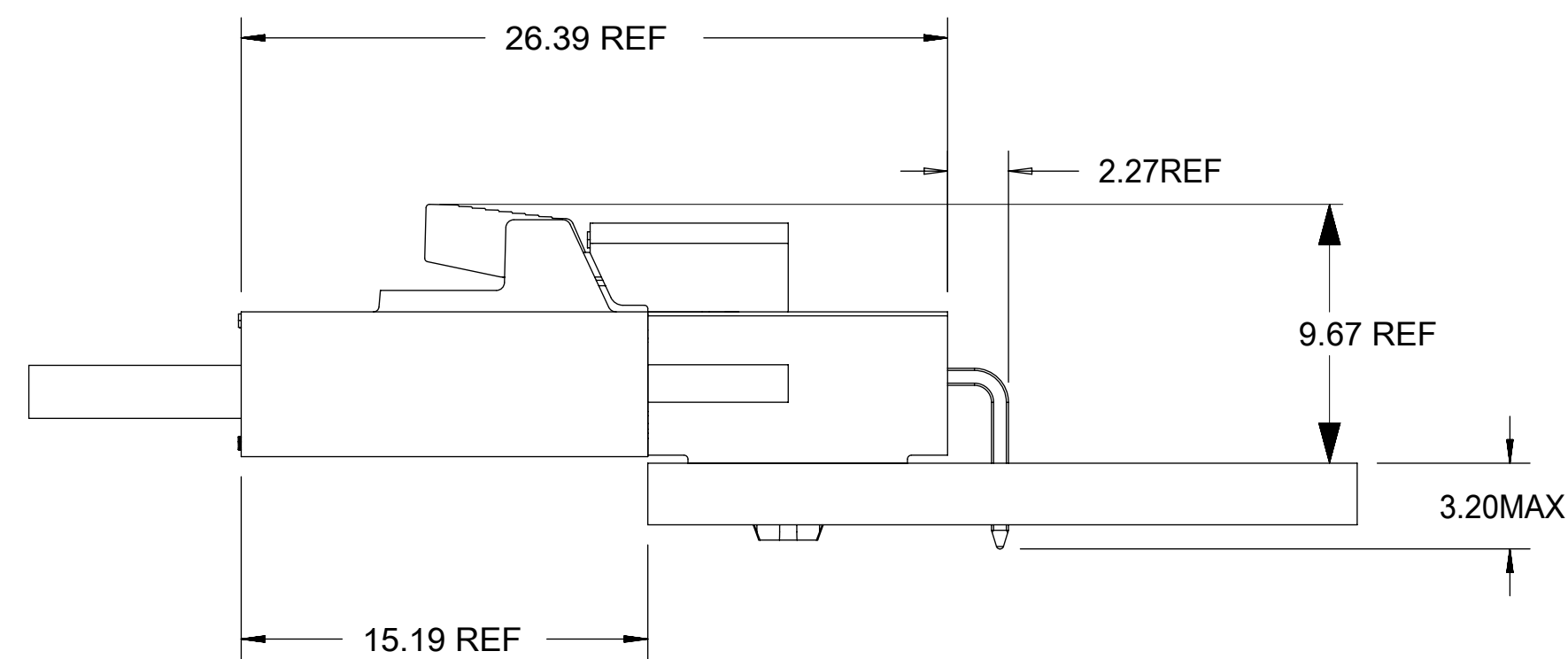


SECTION Y-Y
SCALE 8:1

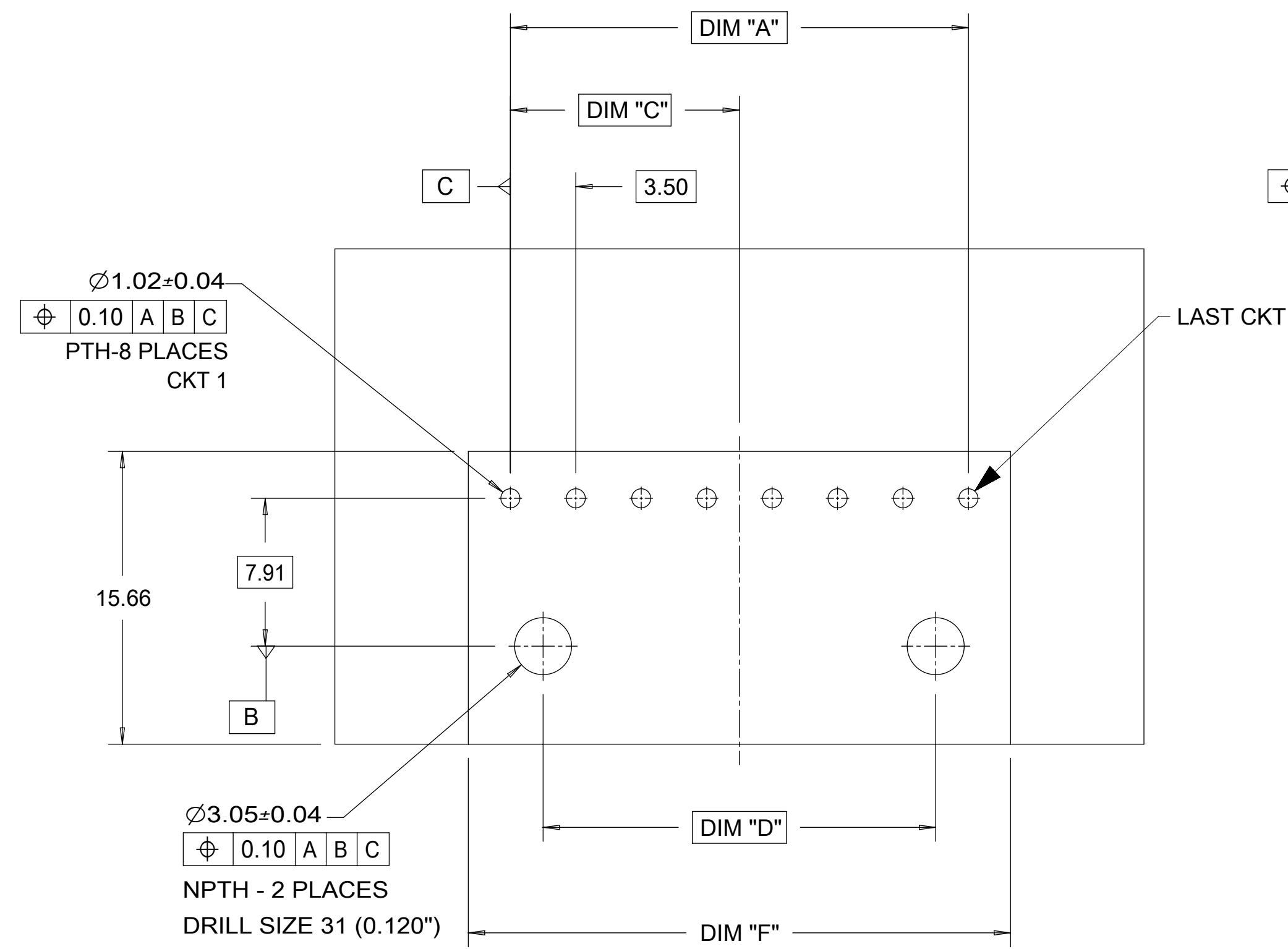


NOTES:

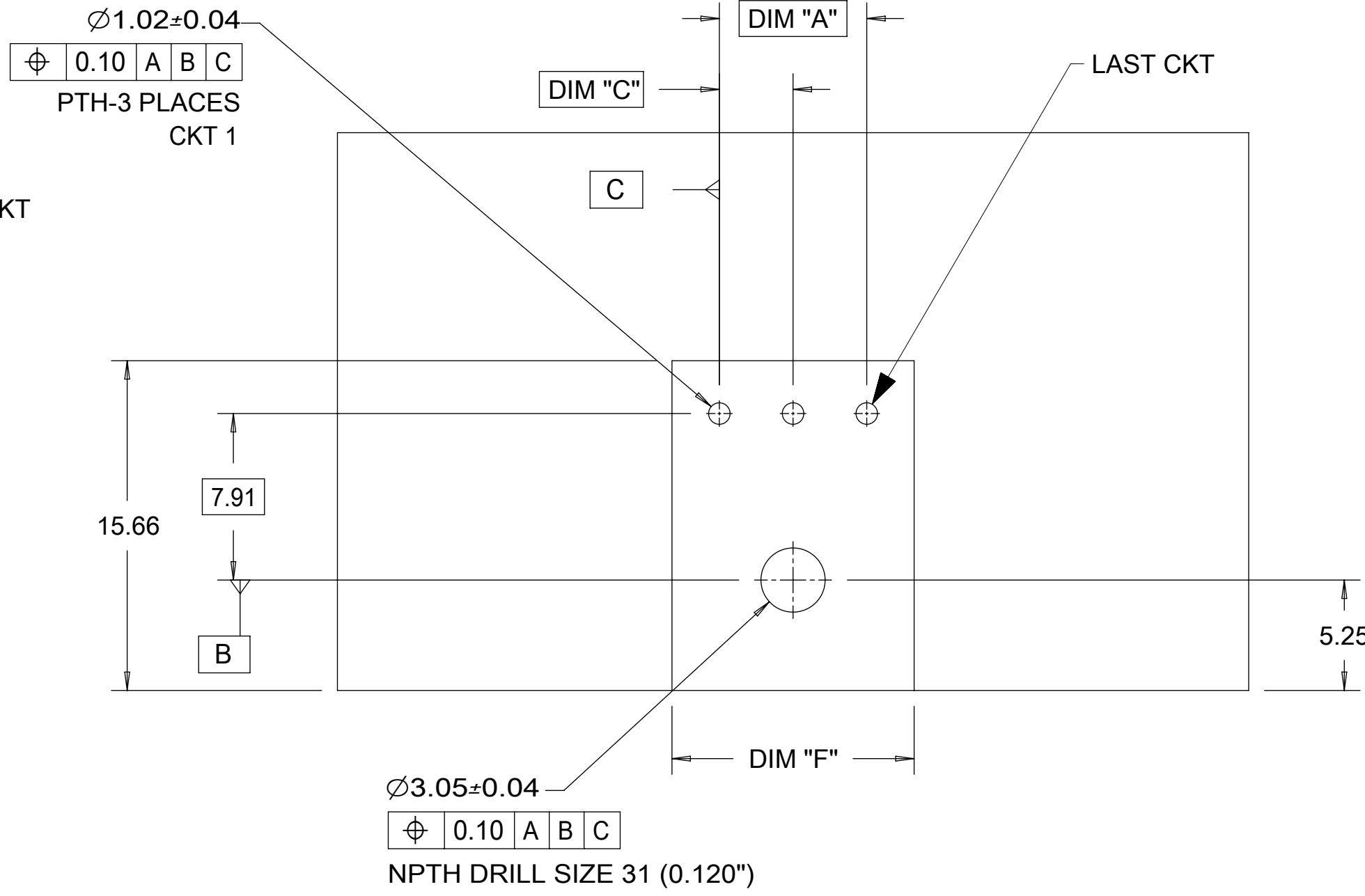
- MATERIAL :
HOUSING
OPTION 1: LCP BLACK, UL94 V-0
OPTION 2: LCP NATURAL, UL94 V-0
TERMINAL: COPPER ALLOY
- PLATING FINISH:
OPTION 1 - 1.5µm(60µin)-2.5µm(100µin) TIN OVER
1.25µm(50µin)-2.5µm(100µin) NICKEL OVERALL
OPTION 2 - 0.35µm(15µin) GOLD CONTACT AREA,
1.5µm(60µin)-2.5µm(100µin) TIN TAIL AREA OVER
1.25µm(50µin)-2.5µm(100µin) NICKEL OVERALL
OPTION 3 - 0.70µm(30µin) GOLD CONTACT AREA,
1.5µm(60µin)-2.5µm(100µin) TIN TAIL AREA OVER
1.25µm(50µin)-2.5µm(100µin) NICKEL OVERALL
- PARTS TO BE PACKAGED PER PK-172310-9001
- PRODUCT SPECIFICATION PS-172323-0001
- PART MATES WITH MOLEX RECEPTACLE HOUSING
172256 AND 172260
- PART CONFORMS TO CLASS "C" REQUIREMENTS OF SPECIFICATION
PS-45499-002 WITH 0.13 MM MAXIMUM FLASH ALLOWED IN CORE
HOLES AND FRONT SURFACE.
- DISCOLORATION IN THE BANDOLIER AREA OF THE PIN IS
INHERENT TO THE PLATING PROCESS AND IS DUE TO THE MASKING
EFFECT OF THE CARRIER. THIS DISCOLORATION IS IN A NON-FUNCTIONAL
AREA OF THE PIN AND WILL NOT AFFECT THE PERFORMANCE OF THE
HEADER ASSEMBLY.
- ASSEMBLY SPECIFICATION: AS-172323-0001



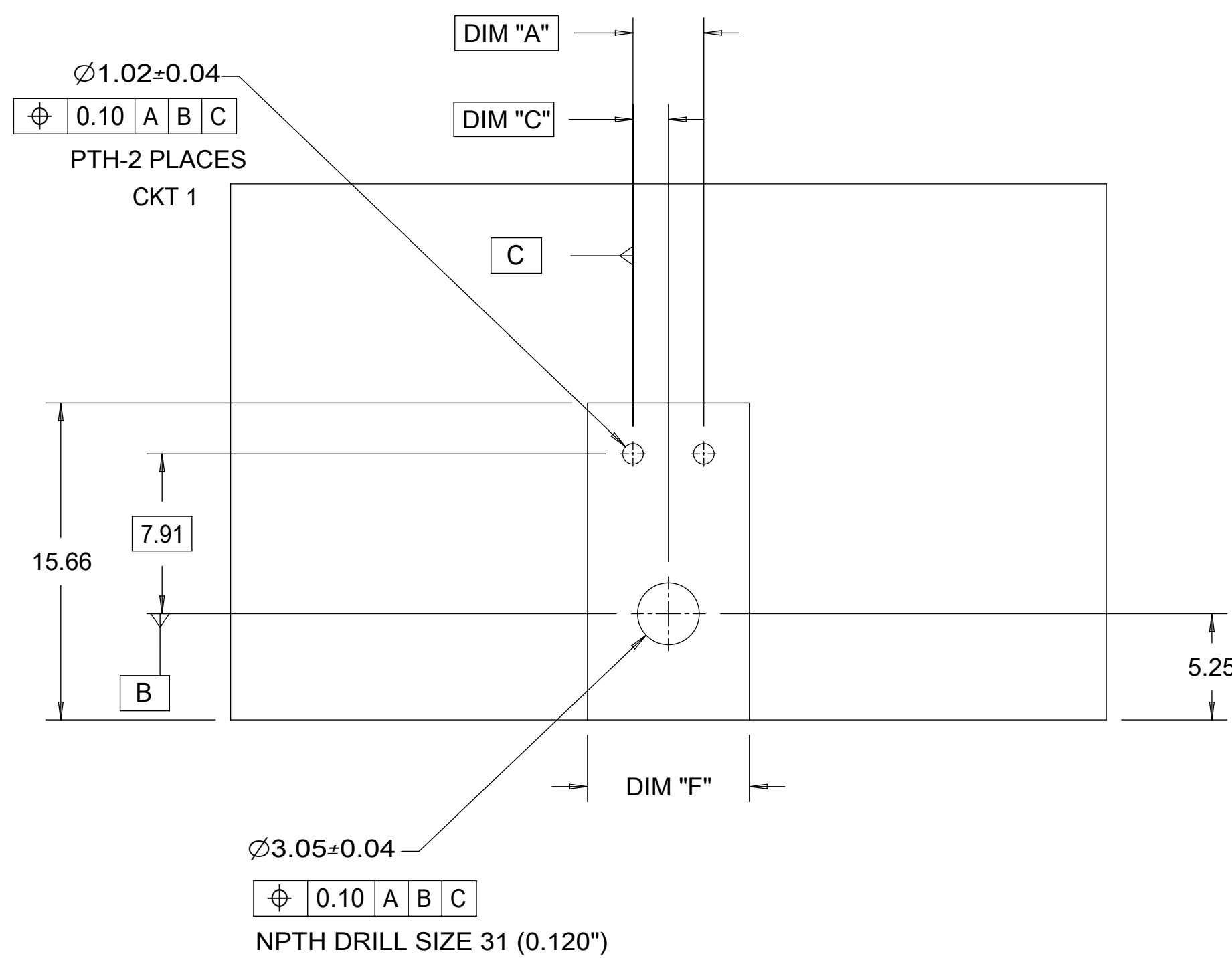
| | | | | | | | | | | |
|--|---|--|--------------|------------------------|--|---------------------------------|----------------|--------------|--|--|
| <p>QUALITY SYMBOLS</p> <p>F = 0</p> <p>E = 0</p> <p>F = 0</p> <p>▽ = 0</p> <p>C = 0</p> <p>⊠ = 0</p> <p>■ = 0</p> <p>▽ = 0</p> | THIS DRAWING CONTAINS INFORMATION THAT IS PROPRIETARY TO MOLEX ELECTRONIC TECHNOLOGIES, LLC AND SHOULD NOT BE USED WITHOUT WRITTEN PERMISSION | | | | | | | | | |
| | 2016/03/29 | GENERAL TOLERANCES (UNLESS SPECIFIED) | | DIMENSION UNITS | SCALE | | | | | |
| | 2016/04/05 | ANGULAR TOL ± ° | | mm | 4:1 | | | | | |
| | 2016/03/29 | 4 PLACES ± | DROSCA | 2014/03/05 | <p>ULTRA-FIT R/A HEADER</p> <p>2-8 CKTS SINGLE ROW</p> | | | | | |
| | 103949 | 3 PLACES ± | CHKD BY | DATE | | | | | | |
| | DRWN: PPEREZ03 | 2 PLACES ± 0.25 | APPR BY | | DATE | <p>PRODUCT CUSTOMER DRAWING</p> | | | | |
| | CHKD: RHODGE | 1 PLACE ± 0.5 | JCOMERCI | 2014/04/24 | | | | | | |
| | REV: APPR: RHODGE | 0 PLACES ± | DRAWING SIZE | THIRD ANGLE PROJECTION | SERIES | MATERIAL NUMBER | CUSTOMER | | | |
| | C2 | DRAFT WHERE APPLICABLE MUST REMAIN WITHIN DIMENSIONS | D | ⊕ | 172310 | 172310 | GENERAL MARKET | | | |
| | | | | | DOCUMENT NUMBER | DOC TYPE | DOC PART | SHEET NUMBER | | |
| | | | | SD-172310-1000 | PSD | 000 | 1 OF 3 | | | |



PCB LAYOUT 4,5,6,7 AND 8 COMPONENT SIDE
RECOMENDED PCB THICKNESS 1.60MM-2.40MM

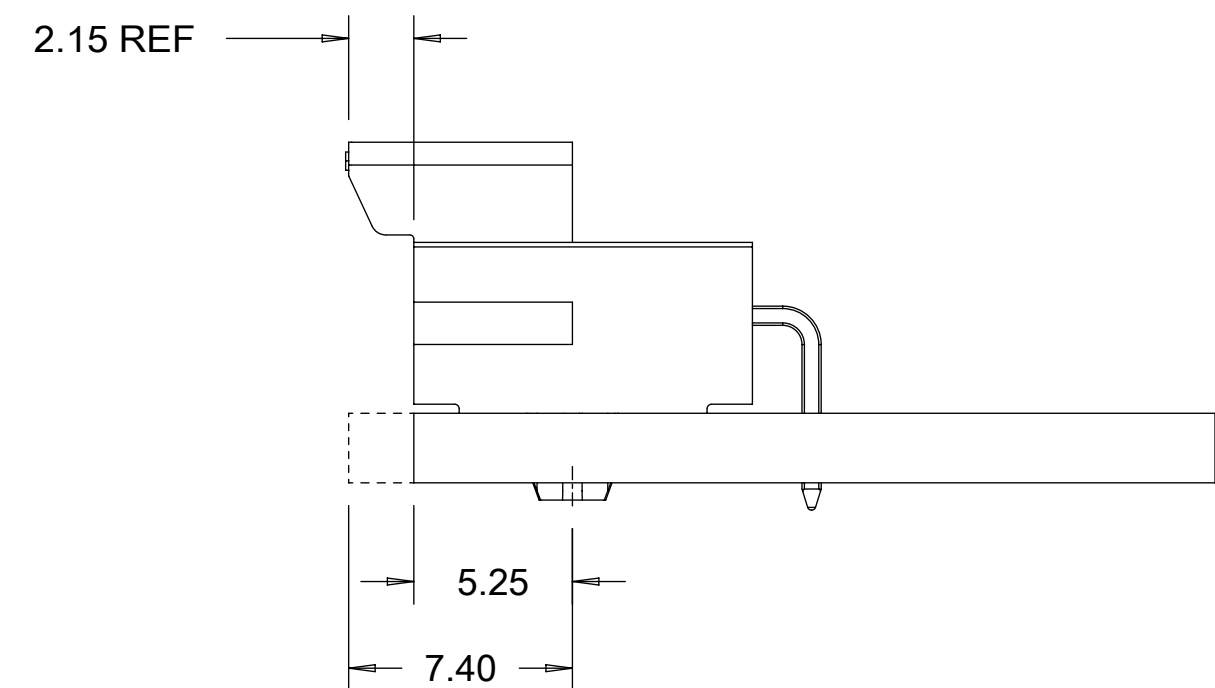


PCB LAYOUT 3 CIRCUIT COMPONENT SIDE
RECOMENDED PCB THICKNESS 1.60MM-2.40MM



PCB LAYOUT 2 CIRCUIT COMPONENT SIDE
RECOMENDED PCB THICKNESS 1.60MM-2.40MM

NOTE: DATUM -A- IS ON PCB COMPONENT SIDE



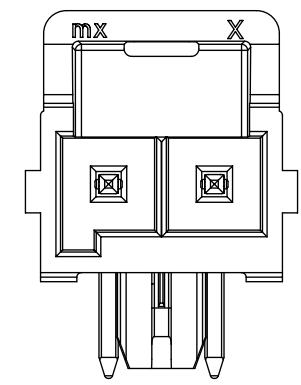
OPTION 1: LATCH FLUSH WITH PCB EDGE
OPTION 2: HOUSING BODY FLUSH WITH PCB EDGE

| TIN PLATING | | | | | | | |
|-------------|---------|--------------|------------|-------|-------|-------|-------|
| PART NO. | COLOR | CIRCUIT SIZE | KEY OPTION | DIM A | DIM F | DIM C | DIM D |
| 172310-1102 | BLACK | 2 | KEY A | 3.50 | 8.00 | 1.75 | 0.00 |
| 172310-1103 | BLACK | 3 | KEY A | 7.00 | 11.50 | 3.50 | 0.00 |
| 172310-1104 | BLACK | 4 | KEY A | 10.50 | 15.00 | 5.25 | 7.00 |
| 172310-1105 | BLACK | 5 | KEY A | 14.00 | 18.50 | 7.00 | 10.50 |
| 172310-1106 | BLACK | 6 | KEY A | 17.50 | 22.00 | 8.75 | 14.00 |
| 172310-1107 | BLACK | 7 | KEY A | 21.00 | 25.50 | 10.50 | 17.50 |
| 172310-1108 | BLACK | 8 | KEY A | 24.50 | 29.00 | 12.25 | 21.00 |
| 172310-2102 | NATURAL | 2 | KEY B | 3.50 | 8.00 | 1.75 | 0.00 |
| 172310-2103 | NATURAL | 3 | KEY B | 7.00 | 11.50 | 3.50 | 0.00 |
| 172310-2104 | NATURAL | 4 | KEY B | 10.50 | 15.00 | 5.25 | 7.00 |
| 172310-2105 | NATURAL | 5 | KEY B | 14.00 | 18.50 | 7.00 | 10.50 |
| 172310-2106 | NATURAL | 6 | KEY B | 17.50 | 22.00 | 8.75 | 14.00 |
| 172310-2107 | NATURAL | 7 | KEY B | 21.00 | 25.50 | 10.50 | 17.50 |
| 172310-2108 | NATURAL | 8 | KEY B | 24.50 | 29.00 | 12.25 | 21.00 |

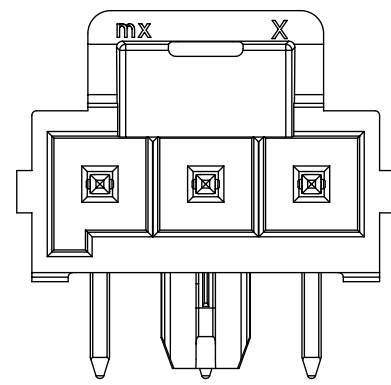
| 15 MICROINCH GOLD PLATING | | | | | | | |
|---------------------------|---------|--------------|------------|-------|-------|-------|-------|
| PART NO. | COLOR | CIRCUIT SIZE | KEY OPTION | DIM A | DIM F | DIM C | DIM D |
| 172310-1202 | BLACK | 2 | KEY A | 3.50 | 8.00 | 1.75 | 0.00 |
| 172310-1203 | BLACK | 3 | KEY A | 7.00 | 11.50 | 3.50 | 0.00 |
| 172310-1204 | BLACK | 4 | KEY A | 10.50 | 15.00 | 5.25 | 7.00 |
| 172310-1205 | BLACK | 5 | KEY A | 14.00 | 18.50 | 7.00 | 10.50 |
| 172310-1206 | BLACK | 6 | KEY A | 17.50 | 22.00 | 8.75 | 14.00 |
| 172310-1207 | BLACK | 7 | KEY A | 21.00 | 25.50 | 10.50 | 17.50 |
| 172310-1208 | BLACK | 8 | KEY A | 24.50 | 29.00 | 12.25 | 21.00 |
| 172310-2202 | NATURAL | 2 | KEY B | 3.50 | 8.00 | 1.75 | 0.00 |
| 172310-2203 | NATURAL | 3 | KEY B | 7.00 | 11.50 | 3.50 | 0.00 |
| 172310-2204 | NATURAL | 4 | KEY B | 10.50 | 15.00 | 5.25 | 7.00 |
| 172310-2205 | NATURAL | 5 | KEY B | 14.00 | 18.50 | 7.00 | 10.50 |
| 172310-2206 | NATURAL | 6 | KEY B | 17.50 | 22.00 | 8.75 | 14.00 |
| 172310-2207 | NATURAL | 7 | KEY B | 21.00 | 25.50 | 10.50 | 17.50 |
| 172310-2208 | NATURAL | 8 | KEY B | 24.50 | 29.00 | 12.25 | 21.00 |

| 30 MICROINCH GOLD PLATING | | | | | | | |
|---------------------------|---------|--------------|------------|-------|-------|-------|-------|
| PART NO. | COLOR | CIRCUIT SIZE | KEY OPTION | DIM A | DIM F | DIM C | DIM D |
| 172310-1302 | BLACK | 2 | KEY A | 3.50 | 8.00 | 1.75 | 0.00 |
| 172310-1303 | BLACK | 3 | KEY A | 7.00 | 11.50 | 3.50 | 0.00 |
| 172310-1304 | BLACK | 4 | KEY A | 10.50 | 15.00 | 5.25 | 7.00 |
| 172310-1305 | BLACK | 5 | KEY A | 14.00 | 18.50 | 7.00 | 10.50 |
| 172310-1306 | BLACK | 6 | KEY A | 17.50 | 22.00 | 8.75 | 14.00 |
| 172310-1307 | BLACK | 7 | KEY A | 21.00 | 25.50 | 10.50 | 17.50 |
| 172310-1308 | BLACK | 8 | KEY A | 24.50 | 29.00 | 12.25 | 21.00 |
| 172310-2302 | NATURAL | 2 | KEY B | 3.50 | 8.00 | 1.75 | 0.00 |
| 172310-2303 | NATURAL | 3 | KEY B | 7.00 | 11.50 | 3.50 | 0.00 |
| 172310-2304 | NATURAL | 4 | KEY B | 10.50 | 15.00 | 5.25 | 7.00 |
| 172310-2305 | NATURAL | 5 | KEY B | 14.00 | 18.50 | 7.00 | 10.50 |
| 172310-2306 | NATURAL | 6 | KEY B | 17.50 | 22.00 | 8.75 | 14.00 |
| 172310-2307 | NATURAL | 7 | KEY B | 21.00 | 25.50 | 10.50 | 17.50 |
| 172310-2308 | NATURAL | 8 | KEY B | 24.50 | 29.00 | 12.25 | 21.00 |

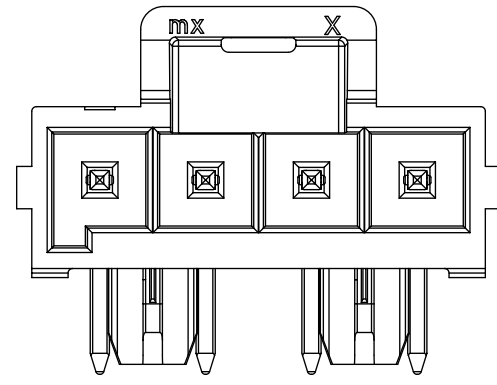
| | | | | | | | |
|--|---|--|---|---|---|--------------------------|---|
| QUALITY SYMBOLS F = 0 E = 0 E = 0 ▽ = 0 C = 0 ⊠ = 0 ■ = 0 ▽ = 0 | THIS DRAWING CONTAINS INFORMATION THAT IS PROPRIETARY TO MOLEX ELECTRONIC TECHNOLOGIES, LLC AND SHOULD NOT BE USED WITHOUT WRITTEN PERMISSION | | | | GENERAL TOLERANCES (UNLESS SPECIFIED) DIMENSION UNITS: mm SCALE: 4:1 | | ULTRA-FIT R/A HEADER 2-8 CKTS SINGLE ROW PRODUCT CUSTOMER DRAWING |
| | EC NO: 103949 DRWN: PPEREZ03 CHKD: RHODGE REV APPR: RHODGE | 2016/03/29 2016/04/05 2016/03/29 | DRWN BY: DROSCA DATE: 2014/03/05 | CHKD BY: JCOMERCI DATE: 2014/04/24 | SERIES: 172310 MATERIAL NUMBER: SD-172310-1000 | CUSTOMER: GENERAL MARKET | |
| | DRAFT WHERE APPLICABLE MUST REMAIN WITHIN DIMENSIONS | | DRAWING SIZE: D THIRD ANGLE PROJECTION | DOCUMENT NUMBER: SD-172310-1000 DOC TYPE: PSD DOC PART: 000 SHEET NUMBER: 2 OF 3 | | | |
| | RELEASE STATUS: C2 RELEASE DATE: | | | | | | |



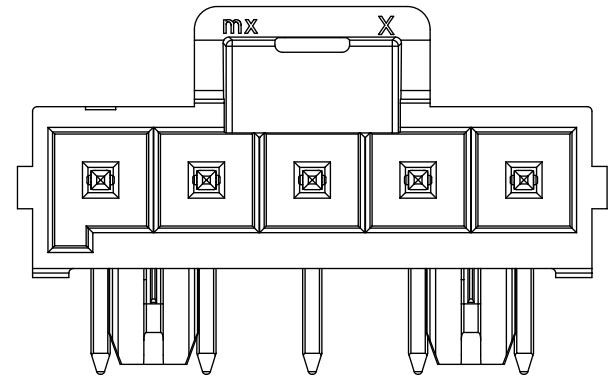
2 CKT



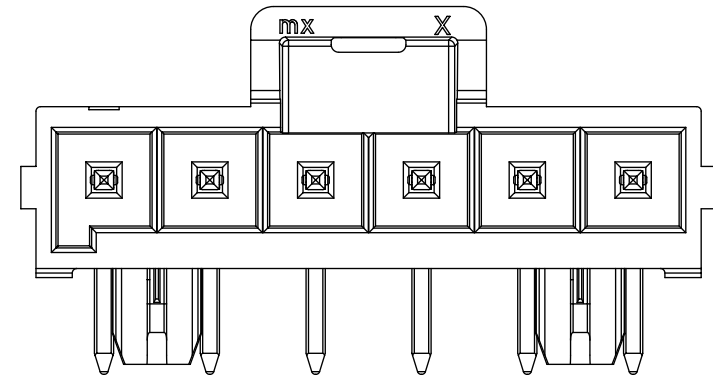
3 CKT



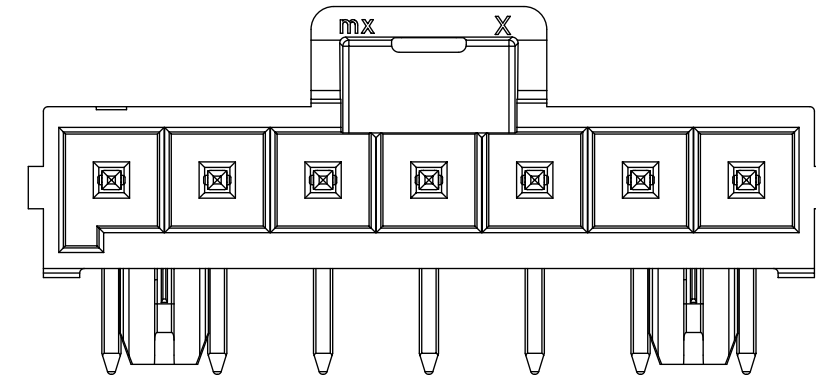
4 CKT



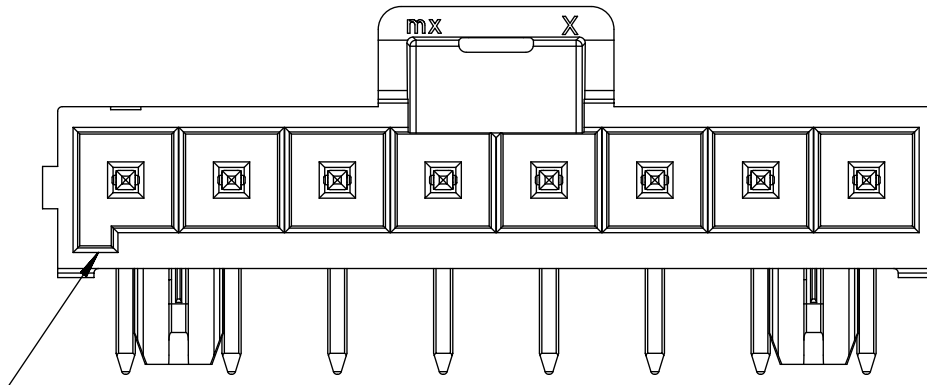
5 CKT



6 CKT

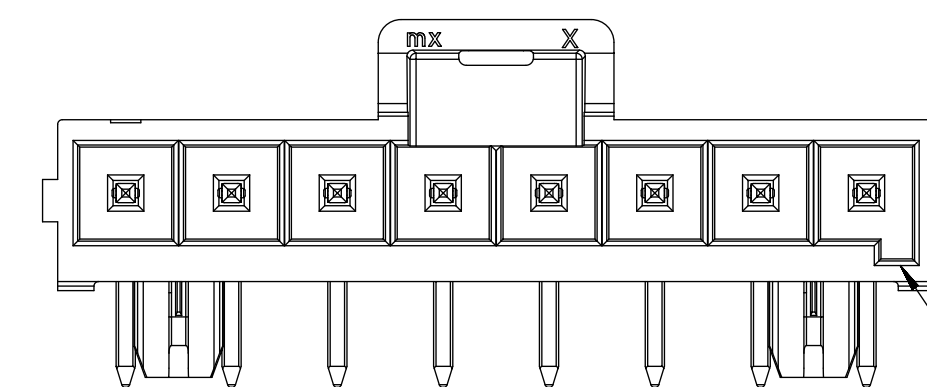


7 CKT



8 CKT

KEY A
(BLACK)



KEY B
(NATURAL)

| | | | | | | | | | | | | |
|----------------------------|---|------------|--------------|--|----------------|-----------------|-----------------|---------------------------------------|----------|-----------------|--------------------------|------------|
| QUALITY SYMBOLS | THIS DRAWING CONTAINS INFORMATION THAT IS PROPRIETARY TO MOLEX ELECTRONIC TECHNOLOGIES, LLC AND SHOULD NOT BE USED WITHOUT WRITTEN PERMISSION | | | | | | | | | | | |
| | EC NO: 103949 DRWN: PPerez03 CHKD: RHODGE REV APPR: RHODGE | 2016/03/29 | | 2016/04/05 | | 2016/03/29 | | GENERAL TOLERANCES (UNLESS SPECIFIED) | | DIMENSION UNITS | SCALE | |
| | | 4 PLACES ± | | 3 PLACES ± | | 2 PLACES ± 0.25 | | 1 PLACE ± 0.5 | | mm | | 4:1 |
| | | 0 PLACES ± | | DRAFT WHERE APPLICABLE MUST REMAIN WITHIN DIMENSIONS | | DROSCA | | DATE | | DRWN BY | | DATE |
| | | D | | THIRD ANGLE PROJECTION | | CHKD BY | | DATE | | JCOMERCI | | 2014/03/05 |
| | | APPR BY | | DATE | | APPR BY | | DATE | | JCOMERCI | | 2014/04/24 |
| | C2 | | 6 | | 5 | | 4 | | 3 | | 2 | |
| | 1 | | 3 | | SD-172310-1000 | | PSD | | 000 | | 3 OF 3 | |
| | RELEASE STATUS | | RELEASE DATE | | SERIES | | MATERIAL NUMBER | | CUSTOMER | | PRODUCT CUSTOMER DRAWING | |
| | | | | | 172310 | | GENERAL MARKET | | | | | |
| | | | | DOCUMENT NUMBER | | DOC TYPE | | DOC PART | | SHEET NUMBER | | |

molex

ULTRA-FIT R/A HEADER
2-8 CKTS SINGLE ROW

PRODUCT CUSTOMER DRAWING

GENERAL MARKET

3 OF 3