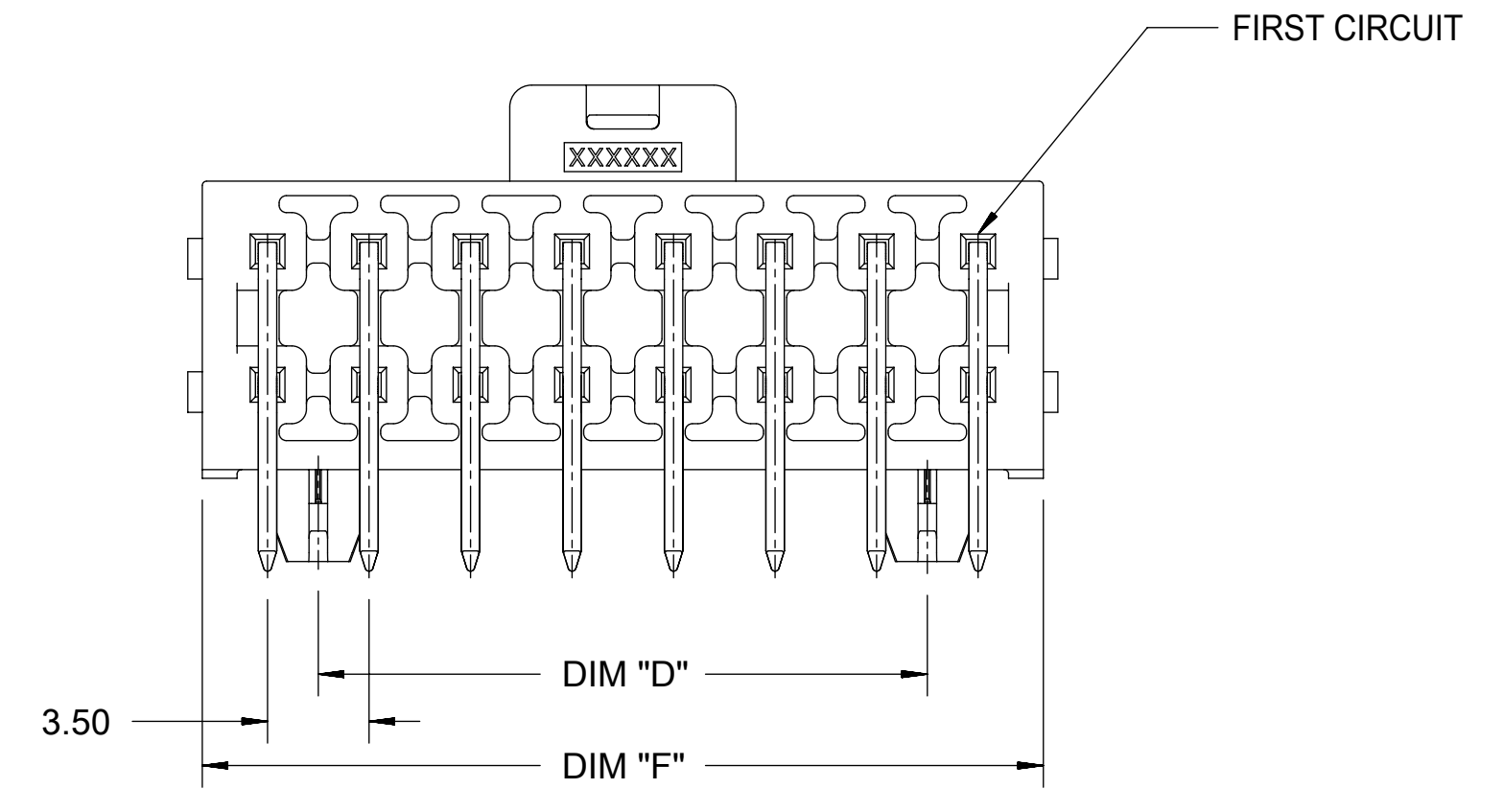
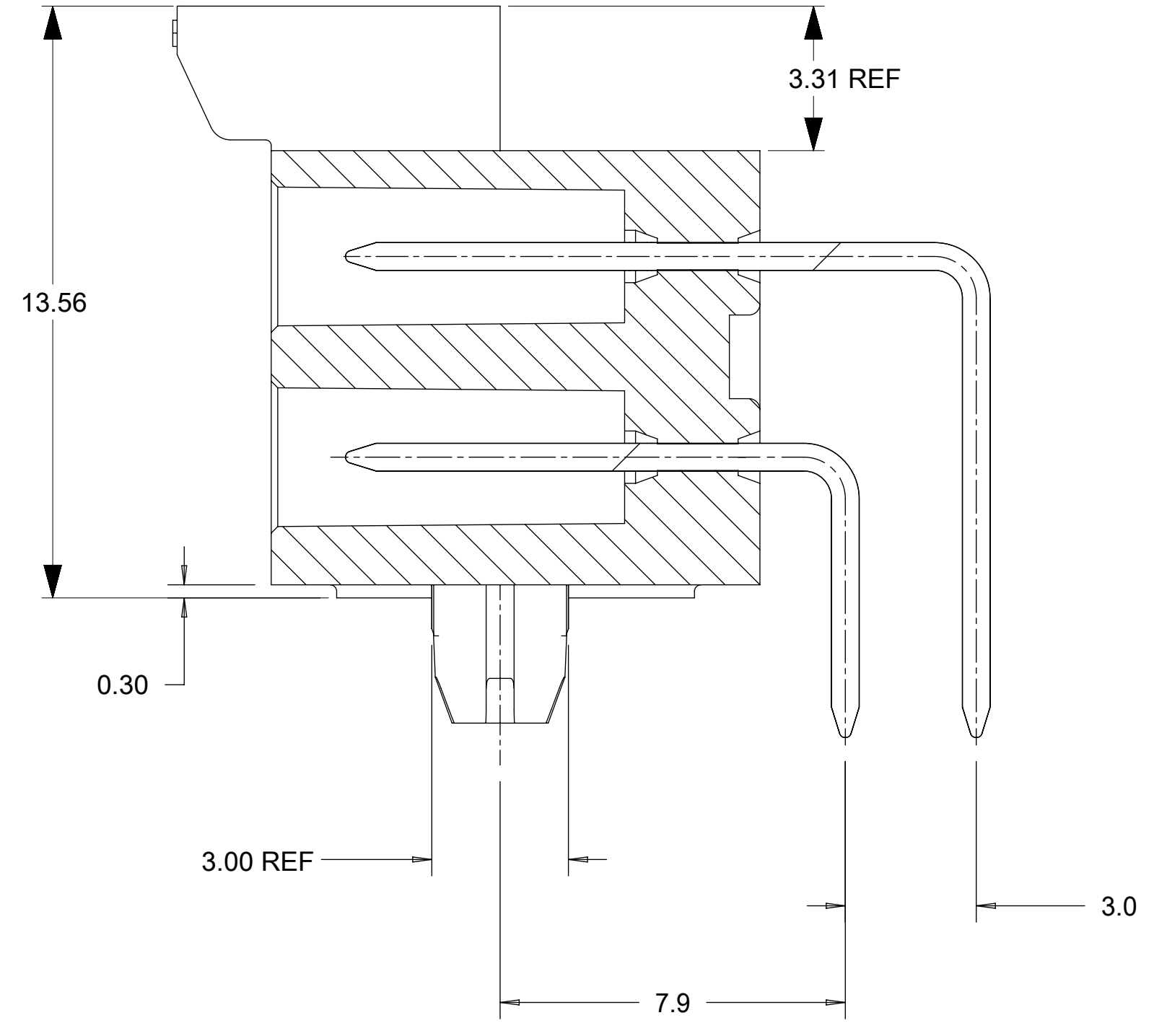
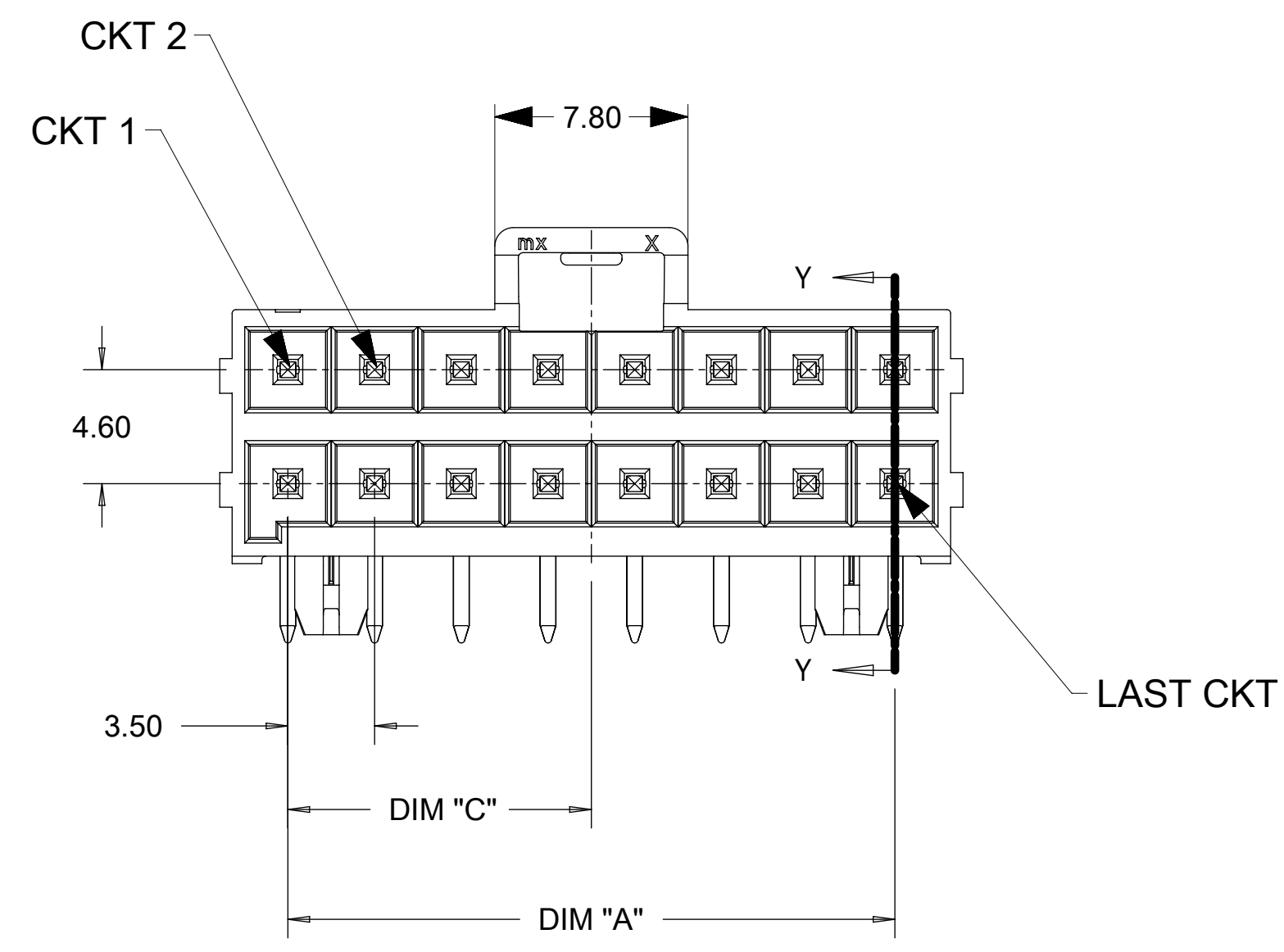


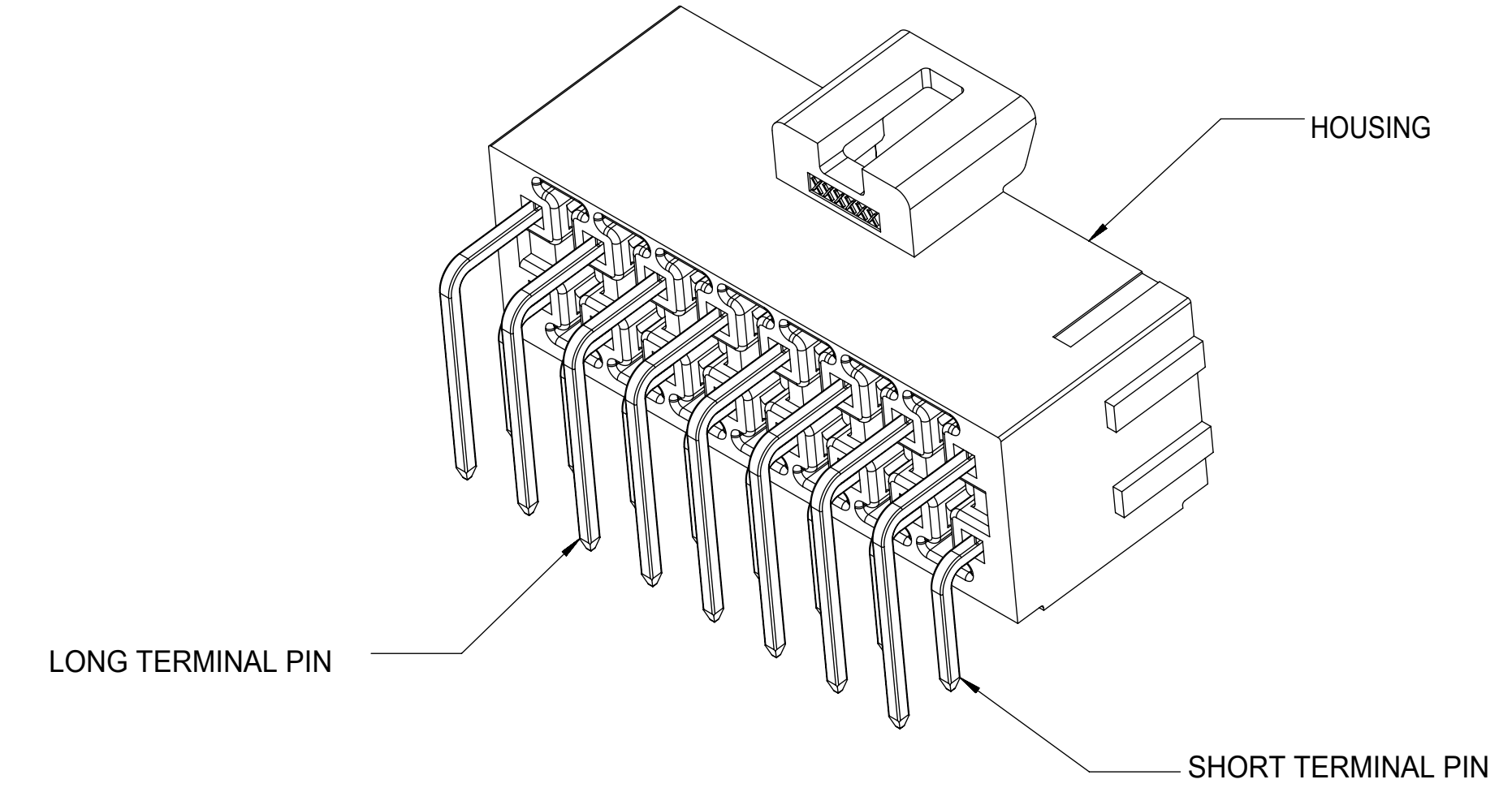
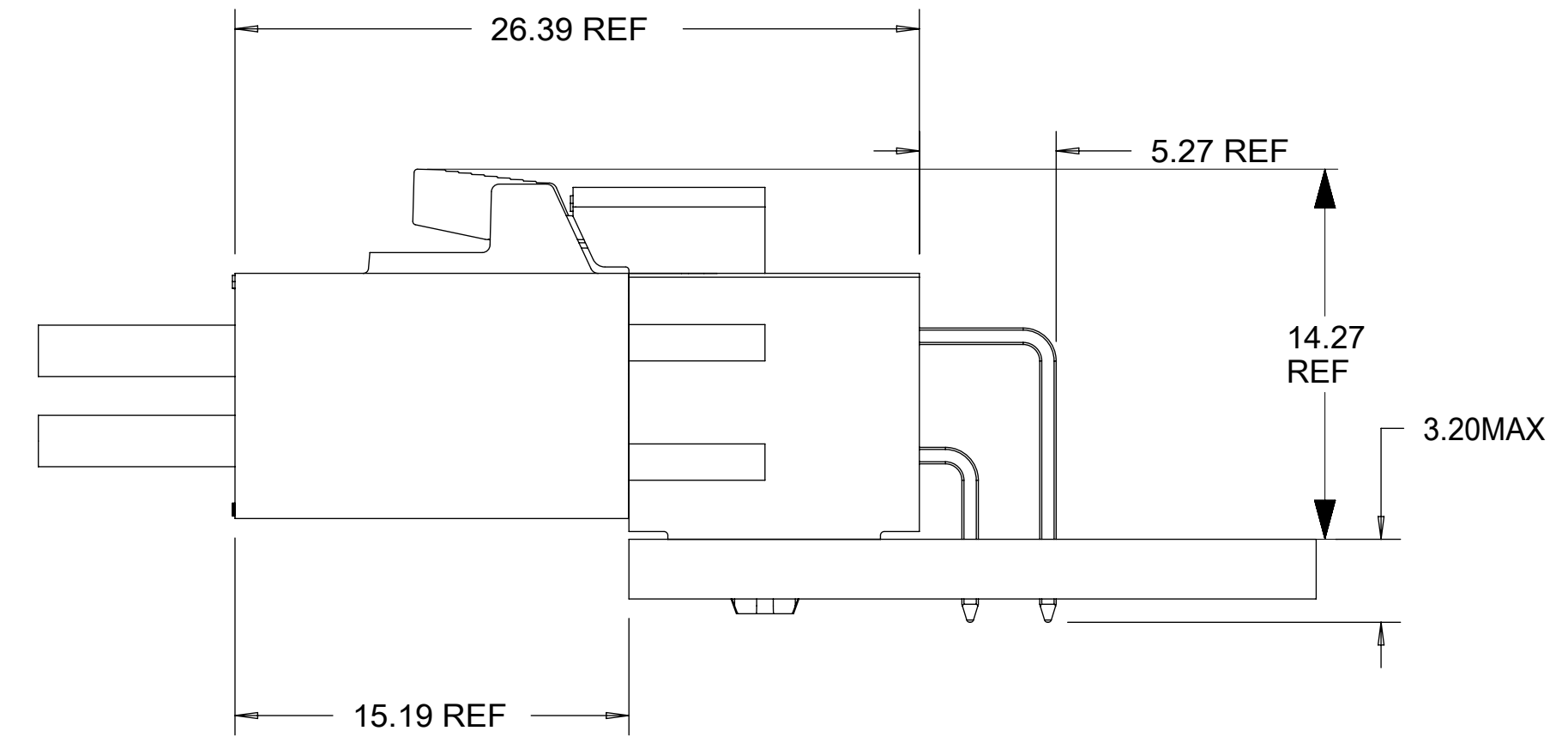
FIRST CIRCUIT MARK  
(NOT SHOWING ON 4  
AND 6 CIRCUITS SERIES)



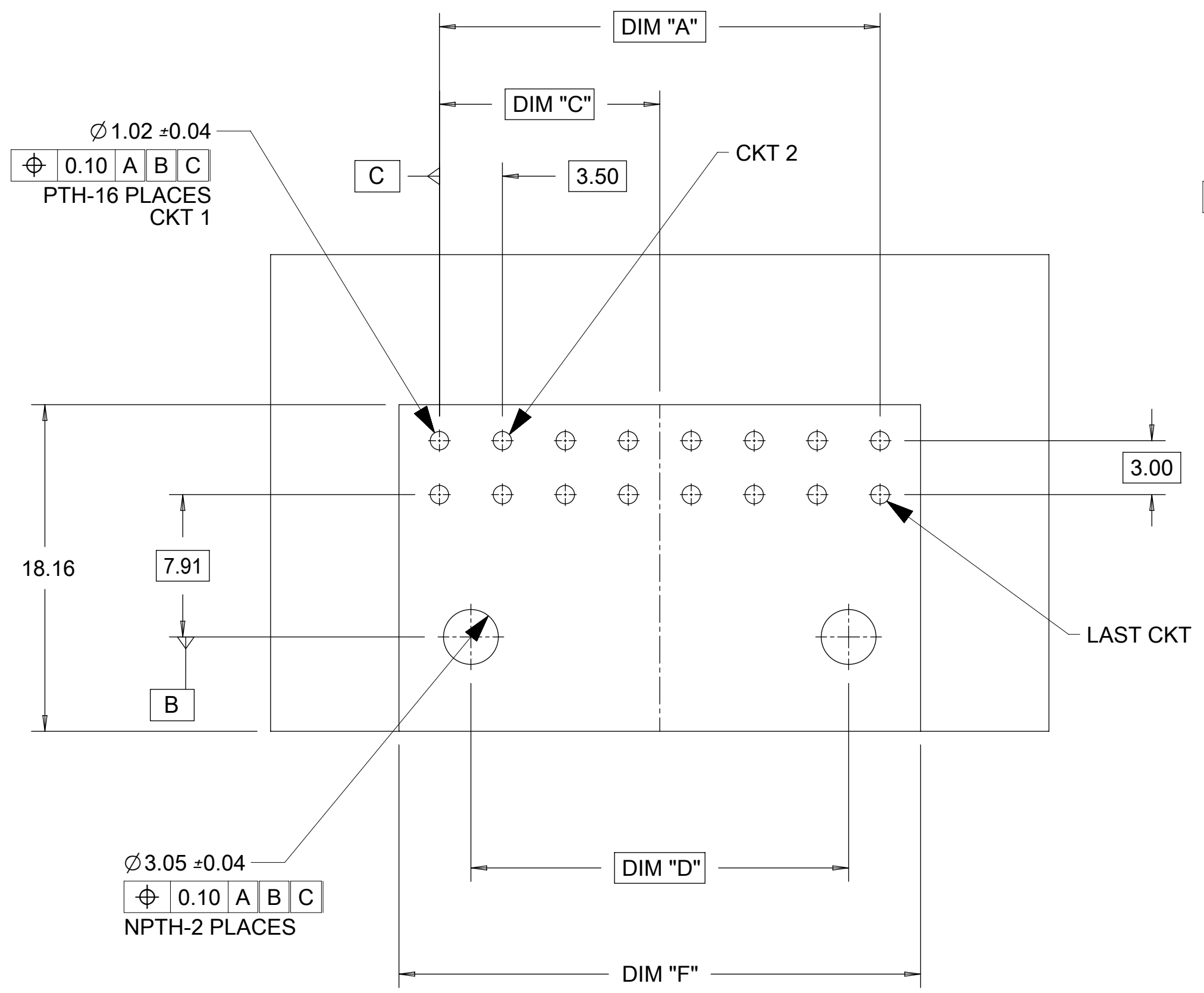
NOTES:

- MATERIAL :  
HOUSING  
OPTION 1: LCP BLACK, UL94 V-0  
OPTION 2: LCP NATURAL, UL94 V-0  
TERMINAL: COPPER ALLOY
- PLATING FINISH:  
OPTION 1 - 1.5µm(60µin)-2.5µm(100µin) TIN OVER  
1.25µm(50µin)-2.5µm(100µin) NICKEL OVERALL  
OPTION 2 - 0.35µm(15µin) GOLD CONTACT AREA,  
1.5µm(60µin)-2.5µm(100µin) TIN TAIL AREA OVER  
1.25µm(50µin)-2.5µm(100µin) NICKEL OVERALL  
OPTION 3 - 0.70µm(30µin) GOLD CONTACT AREA,  
1.5µm(60µin)-2.5µm(100µin) TIN TAIL AREA OVER  
1.25µm(50µin)-2.5µm(100µin) NICKEL OVERALL
- PARTS TO BE PACKAGED PER PK-172316-9001
- PRODUCT SPECIFICATION PS-172323-0001
- PART MATES WITH MOLEX RECEPTACLE HOUSING  
172258 AND 172262
- PART CONFORMS TO CLASS "C" REQUIREMENTS OF SPECIFICATION  
PS-45499-002 WITH 0.13 MM MAXIMUM FLASH ALLOWED IN CORE  
HOLES AND FRONT SURFACE.
- DISCOLORATION IN THE BANDOLIER AREA OF THE PIN IS  
INHERENT TO THE PLATING PROCESS AND IS DUE TO THE MASKING  
EFFECT OF THE CARRIER. THIS DISCOLORATION IS IN A NON-FUNCTIONAL  
AREA OF THE PIN AND WILL NOT AFFECT THE PERFORMANCE OF THE  
HEADER ASSEMBLY.
- ASSEMBLY SPECIFICATION: AS-172323-0001

SECTION Y-Y  
SCALE 8:1

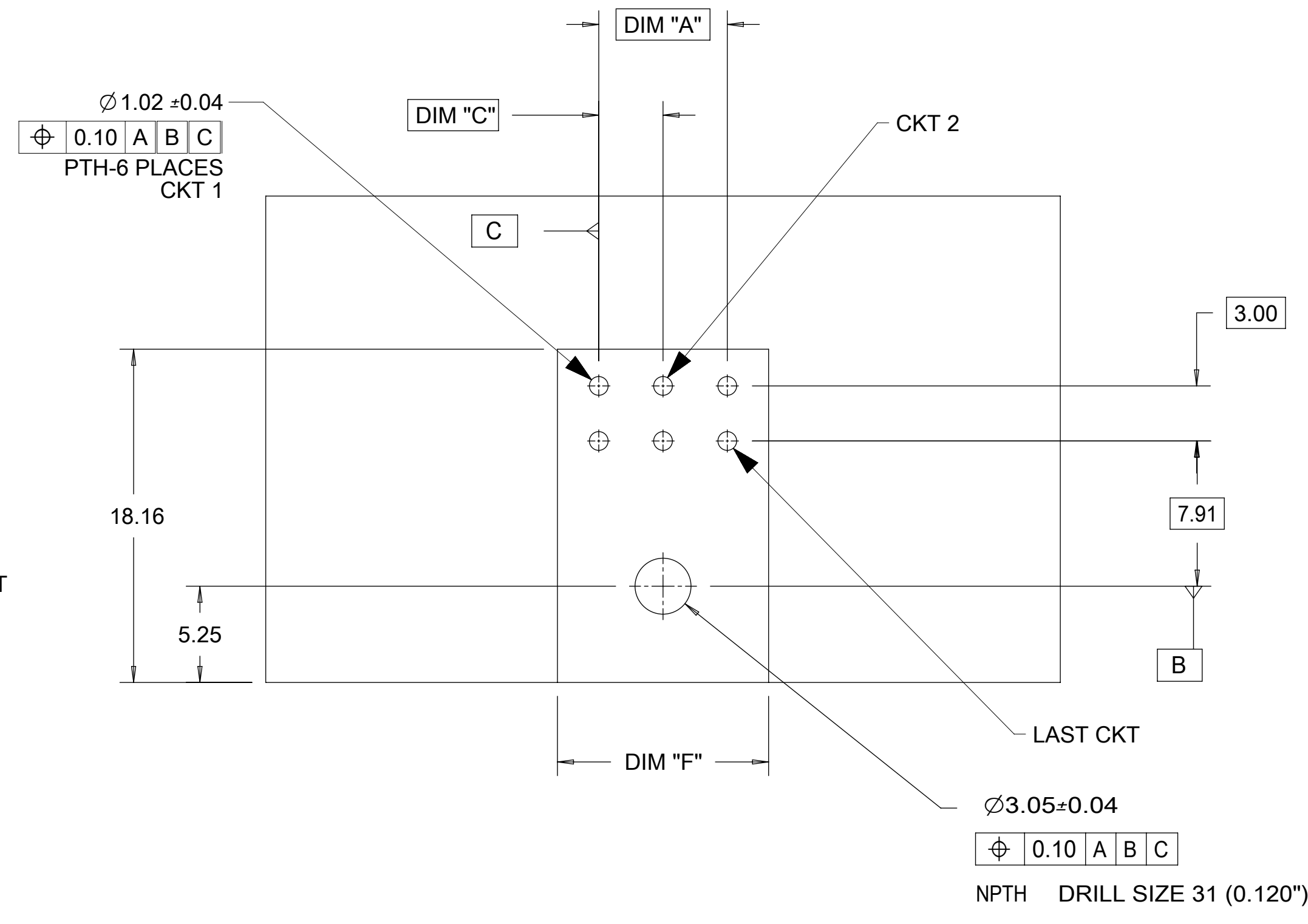


QUALITY SYMBOLS F = 0 E = 0 E = 0 ▽ = 0 C = 0 ⊠ = 0 ■ = 0 ▽ = 0	THIS DRAWING CONTAINS INFORMATION THAT IS PROPRIETARY TO MOLEX ELECTRONIC TECHNOLOGIES, LLC AND SHOULD NOT BE USED WITHOUT WRITTEN PERMISSION				DIMENSION UNITS <b>mm</b>		SCALE <b>4:1</b>				
	GENERAL TOLERANCES (UNLESS SPECIFIED)		DRWN BY <b>DROSCA</b>		DATE <b>2014/03/06</b>		<b>ULTRA-FIT R/A HEADER 4-16 CKTS DUAL ROW</b>				
	ANGULAR TOL ± °		CHKD BY		DATE					<b>PRODUCT CUSTOMER DRAWING</b>	
	4 PLACES ±		APPR BY <b>JCOMERCI</b>		DATE <b>2016/04/24</b>		SERIES <b>172316</b>	MATERIAL NUMBER	CUSTOMER <b>GENERAL MARKET</b>		
3 PLACES ±		DRAWING SIZE <b>D</b>		THIRD ANGLE PROJECTION		DOCUMENT NUMBER <b>SD-172316-1000</b>	DOC TYPE <b>PSD</b>	DOC PART <b>000</b>	SHEET NUMBER <b>1 OF 3</b>		
2 PLACES ± 0.25		DRAFT WHERE APPLICABLE MUST REMAIN WITHIN DIMENSIONS		0 PLACES ±							



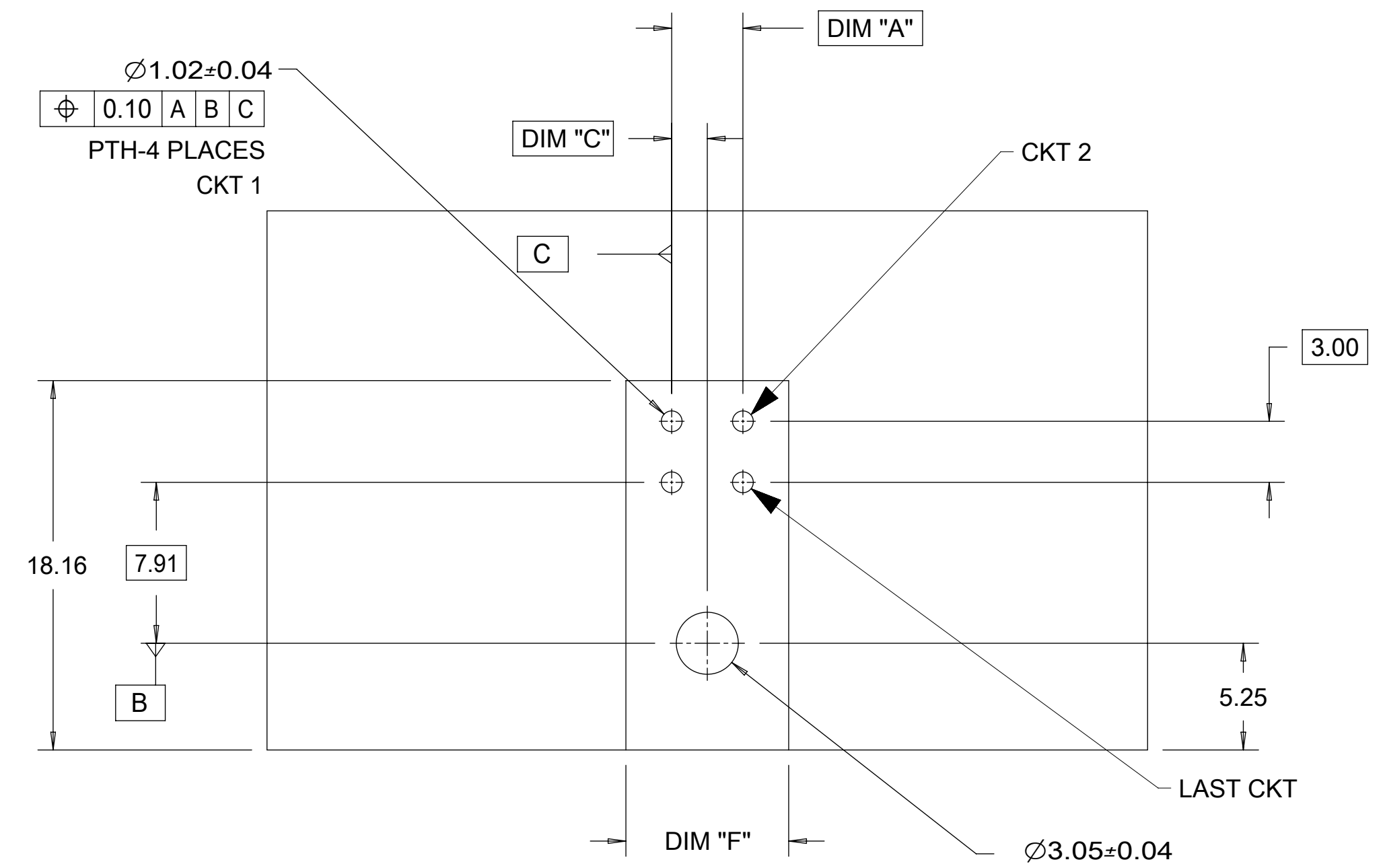
PCB LAYOUT COMPONENT SIDE  
RECOMENDED PCB THICKNESS 1.60MM-2.40MM

Top2



PCB LAYOUT 3 CIRCUIT COMPONENT SIDE  
RECOMENDED PCB THICKNESS 1.60MM-2.40MM

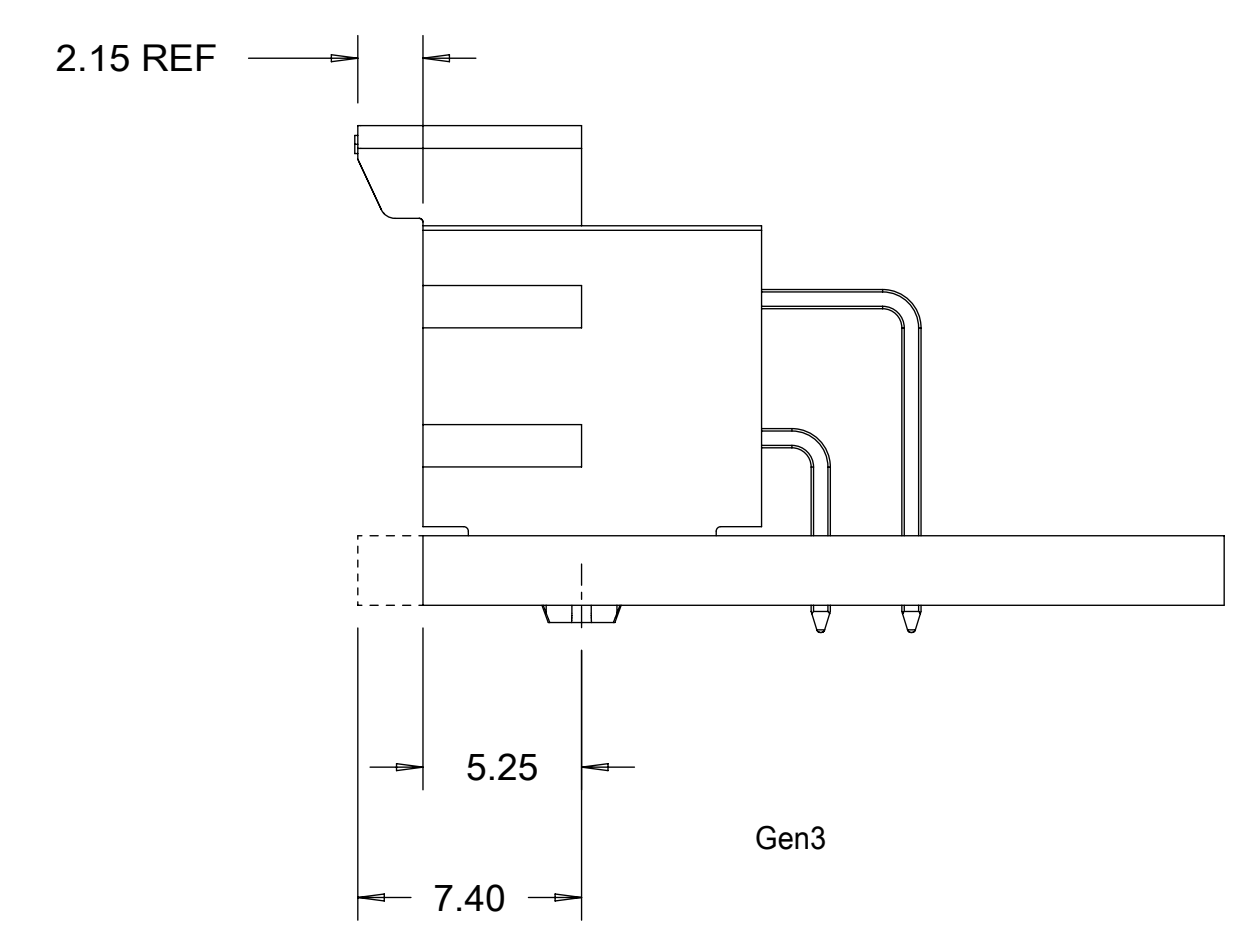
Right1



PCB LAYOUT 2 CIRCUIT COMPONENT SIDE  
RECOMENDED PCB THICKNESS 1.60MM-2.40MM

Right2

NOTE: DATUM -A- IS ON COMPONENT SIDE PCB



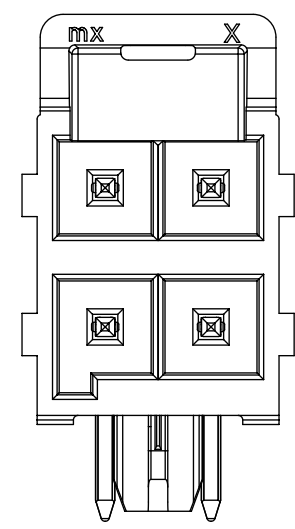
OPTION 1: LATCH FLUSH WITH PCB EDGE  
OPTION 2: HOUSING BODY FLUSH WITH PCB EDGE

TIN PLATING							
PART NO.	COLOR	CIRCUIT SIZE	KEY OPTION	DIM A	DIM F	DIM C	DIM D
172316-1104	BLACK	4	KEY A	3.50	8.00	1.75	0.00
172316-1106	BLACK	6	KEY A	7.00	11.50	3.50	0.00
172316-1108	BLACK	8	KEY A	10.50	15.00	5.25	7.00
172316-1110	BLACK	10	KEY A	14.00	18.50	7.00	10.50
172316-1112	BLACK	12	KEY A	17.50	22.00	8.75	14.00
172316-1114	BLACK	14	KEY A	21.00	25.50	10.50	17.50
172316-1116	BLACK	16	KEY A	24.50	29.00	12.25	21.00
172316-2104	NATURAL	4	KEY B	3.50	8.00	1.75	0.00
172316-2106	NATURAL	6	KEY B	7.00	11.50	3.50	0.00
172316-2108	NATURAL	8	KEY B	10.50	15.00	5.25	7.00
172316-2110	NATURAL	10	KEY B	14.00	18.50	7.00	10.50
172316-2112	NATURAL	12	KEY B	17.50	22.00	8.75	14.00
172316-2114	NATURAL	14	KEY B	21.00	25.50	10.50	17.50
172316-2116	NATURAL	16	KEY B	24.50	29.00	12.25	21.00

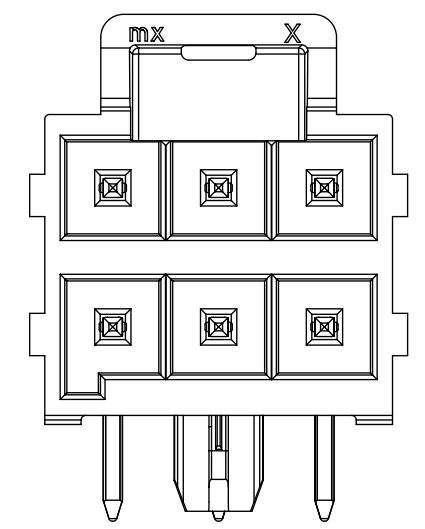
15 MICROINCH GOLD PLATING							
PART NO.	COLOR	CIRCUIT SIZE	KEY OPTION	DIM A	DIM F	DIM C	DIM D
172316-1204	BLACK	4	KEY A	3.50	8.00	1.75	0.00
172316-1206	BLACK	6	KEY A	7.00	11.50	3.50	0.00
172316-1208	BLACK	8	KEY A	10.50	15.00	5.25	7.00
172316-1210	BLACK	10	KEY A	14.00	18.50	7.00	10.50
172316-1212	BLACK	12	KEY A	17.50	22.00	8.75	14.00
172316-1214	BLACK	14	KEY A	21.00	25.50	10.50	17.50
172316-1216	BLACK	16	KEY A	24.50	29.00	12.25	21.00
172316-2204	NATURAL	4	KEY B	3.50	8.00	1.75	0.00
172316-2206	NATURAL	6	KEY B	7.00	11.50	3.50	0.00
172316-2208	NATURAL	8	KEY B	10.50	15.00	5.25	7.00
172316-2210	NATURAL	10	KEY B	14.00	18.50	7.00	10.50
172316-2212	NATURAL	12	KEY B	17.50	22.00	8.75	14.00
172316-2214	NATURAL	14	KEY B	21.00	25.50	10.50	17.50
172316-2216	NATURAL	16	KEY B	24.50	29.00	12.25	21.00

30 MICROINCH GOLD PLATING							
PART NO.	COLOR	CIRCUIT SIZE	KEY OPTION	DIM A	DIM F	DIM C	DIM D
172316-1304	BLACK	4	KEY A	3.50	8.00	1.75	0.00
172316-1306	BLACK	6	KEY A	7.00	11.50	3.50	0.00
172316-1308	BLACK	8	KEY A	10.50	15.00	5.25	7.00
172316-1310	BLACK	10	KEY A	14.00	18.50	7.00	10.50
172316-1312	BLACK	12	KEY A	17.50	22.00	8.75	14.00
172316-1314	BLACK	14	KEY A	21.00	25.50	10.50	17.50
172316-1316	BLACK	16	KEY A	24.50	29.00	12.25	21.00
172316-2304	NATURAL	4	KEY B	3.50	8.00	1.75	0.00
172316-2306	NATURAL	6	KEY B	7.00	11.50	3.50	0.00
172316-2308	NATURAL	8	KEY B	10.50	15.00	5.25	7.00
172316-2310	NATURAL	10	KEY B	14.00	18.50	7.00	10.50
172316-2312	NATURAL	12	KEY B	17.50	22.00	8.75	14.00
172316-2314	NATURAL	14	KEY B	21.00	25.50	10.50	17.50
172316-2316	NATURAL	16	KEY B	24.50	29.00	12.25	21.00

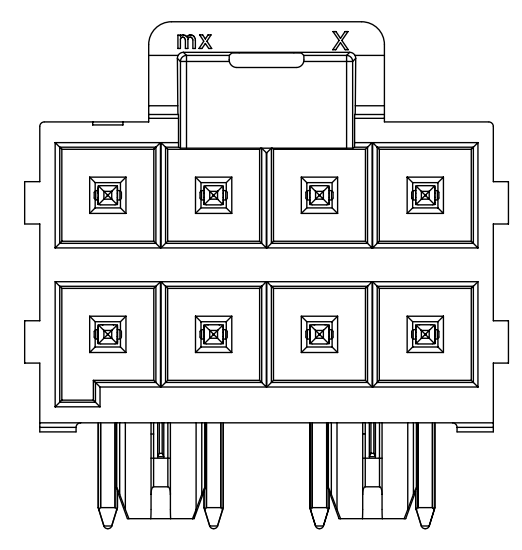
<b>QUALITY SYMBOLS</b> F = 0 E = 0 D = 0 C = 0 B = 0 A = 0 0 = 0 1 = 0 2 = 0 3 = 0 4 = 0 5 = 0 6 = 0 7 = 0 8 = 0 9 = 0	THIS DRAWING CONTAINS INFORMATION THAT IS PROPRIETARY TO MOLEX ELECTRONIC TECHNOLOGIES, LLC AND SHOULD NOT BE USED WITHOUT WRITTEN PERMISSION		DIMENSION UNITS: mm SCALE: 4:1		 <b>ULTRA-FIT R/A HEADER</b> 4-16 CKTS DUAL ROW	
	EC NO: 104752 DRWN: PPEREZ03 CHKD: RHODGE REV APPR: RHODGE	2016/04/29 2016/05/04 2016/03/28	GENERAL TOLERANCES (UNLESS SPECIFIED) ANGULAR TOL ± ° 4 PLACES ± 3 PLACES ± 2 PLACES ± 0.25 1 PLACE ± 0.5 0 PLACES ± DRAFT WHERE APPLICABLE MUST REMAIN WITHIN DIMENSIONS	DRWN BY: DROSCA DATE: 2014/03/06 CHKD BY: JCOMERCI DATE: 2014/04/24		PRODUCT CUSTOMER DRAWING SERIES: 172316 MATERIAL NUMBER: SD-172316-1000 CUSTOMER: GENERAL MARKET
	F3	D	THIRDO ANGLE PROJECTION	APPR BY: JCOMERCI DATE: 2014/04/24		DOCUMENT NUMBER: SD-172316-1000 DOC TYPE: PSD DOC PART: 000 SHEET NUMBER: 2 OF 3
	RELEASE STATUS: F3 RELEASE DATE:					



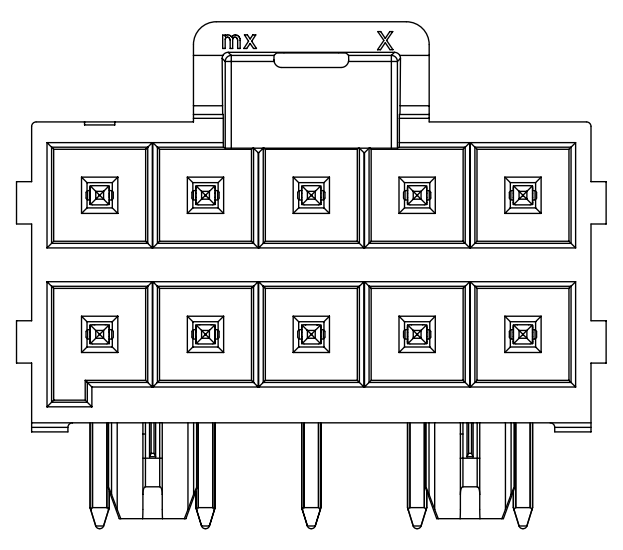
4 CKT



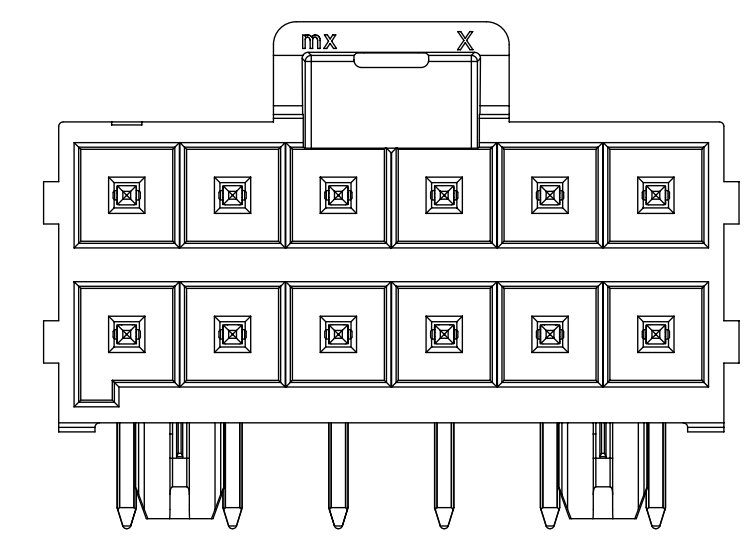
6 CKT



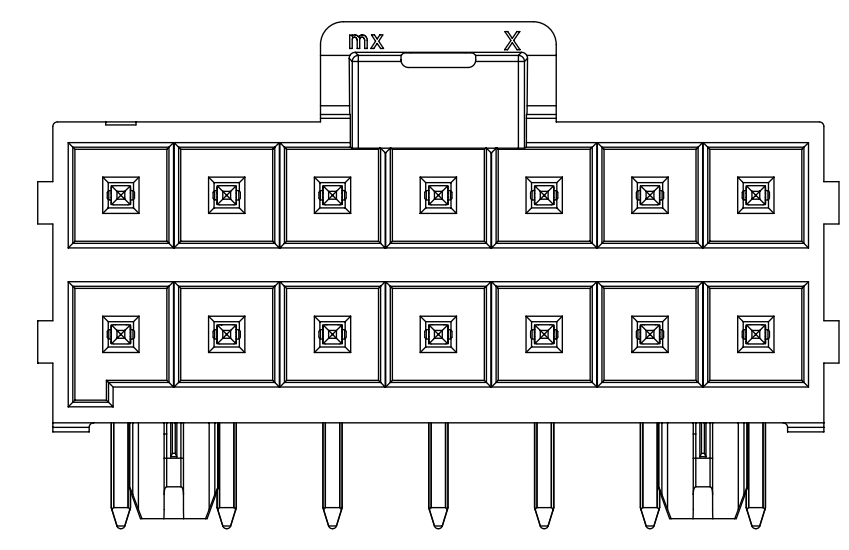
8 CKT



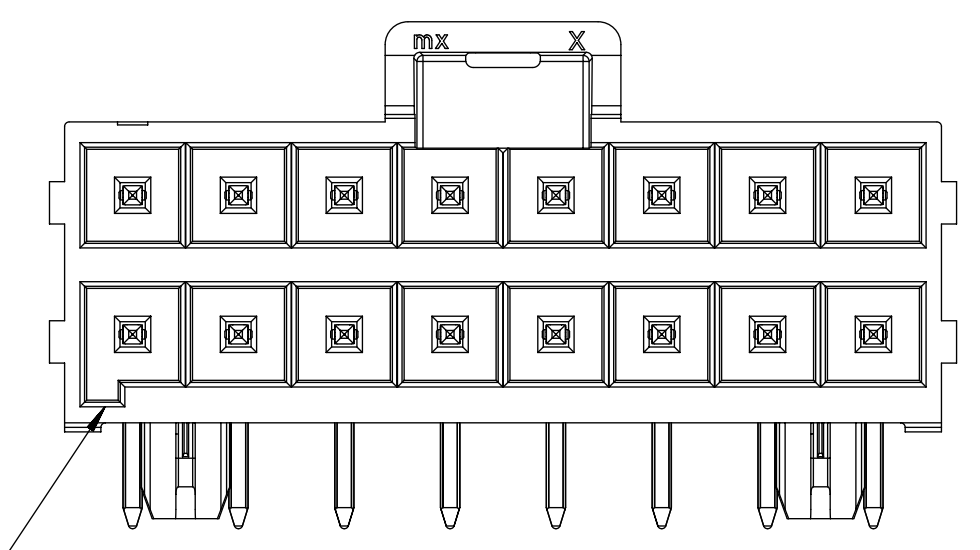
10 CKT



12 CKT

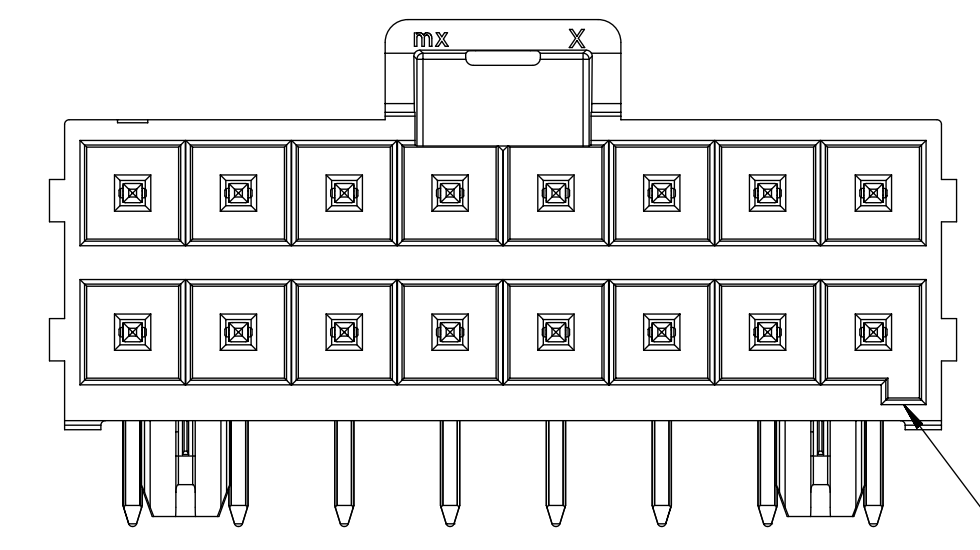


14 CKT



16 CKT

KEY A  
(BLACK)



KEY B  
(NATURAL)

<b>QUALITY SYMBOLS</b> 	THIS DRAWING CONTAINS INFORMATION THAT IS PROPRIETARY TO MOLEX ELECTRONIC TECHNOLOGIES, LLC AND SHOULD NOT BE USED WITHOUT WRITTEN PERMISSION									
	2016/04/29	GENERAL TOLERANCES (UNLESS SPECIFIED)			DIMENSION UNITS	SCALE				
	2016/05/04	ANGULAR TOL ± °			mm	4:1				
	2016/03/28	4 PLACES ±	DRWN BY			DATE	<b>ULTRA-FIT R/A HEADER</b> <b>4-16 CKTS DUAL ROW</b>			
	3 PLACES ±	DROSCA			2014/03/06					
	2 PLACES ± 0.25	CHKD BY			DATE	<b>PRODUCT CUSTOMER DRAWING</b>				
	1 PLACE ± 0.5	APPR BY			DATE					
	0 PLACES ±	JCOMERCI			2014/04/24	SERIES	MATERIAL NUMBER	CUSTOMER		
	DRAFT WHERE APPLICABLE MUST REMAIN WITHIN DIMENSIONS	DRAWING SIZE			THIRD ANGLE PROJECTION	172316	GENERAL MARKET			
		D				DOCUMENT NUMBER	DOC TYPE	DOC PART	SHEET NUMBER	
					SD-172316-1000	PSD	000	3 OF 3		

RELEASE STATUS	RELEASE DATE
----------------	--------------