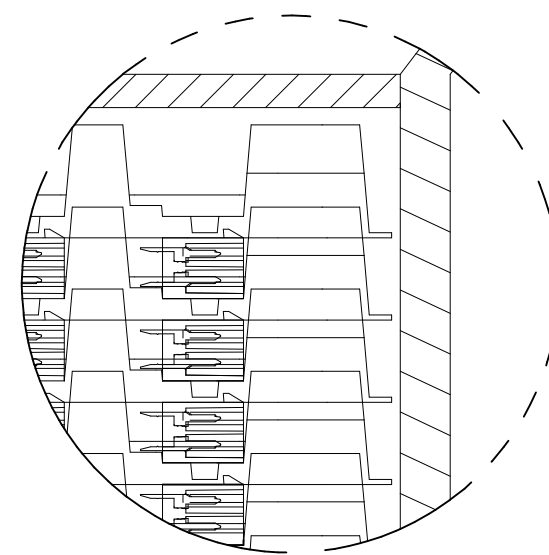
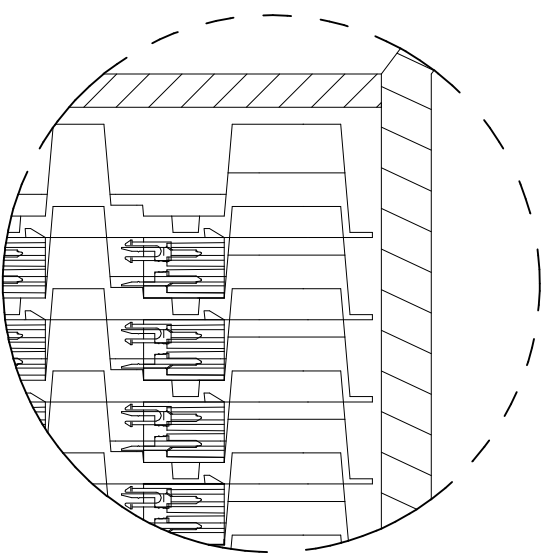
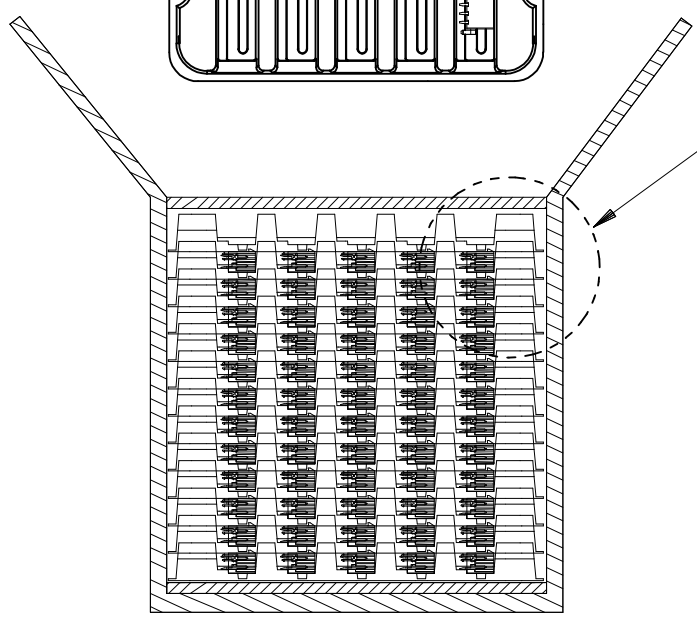
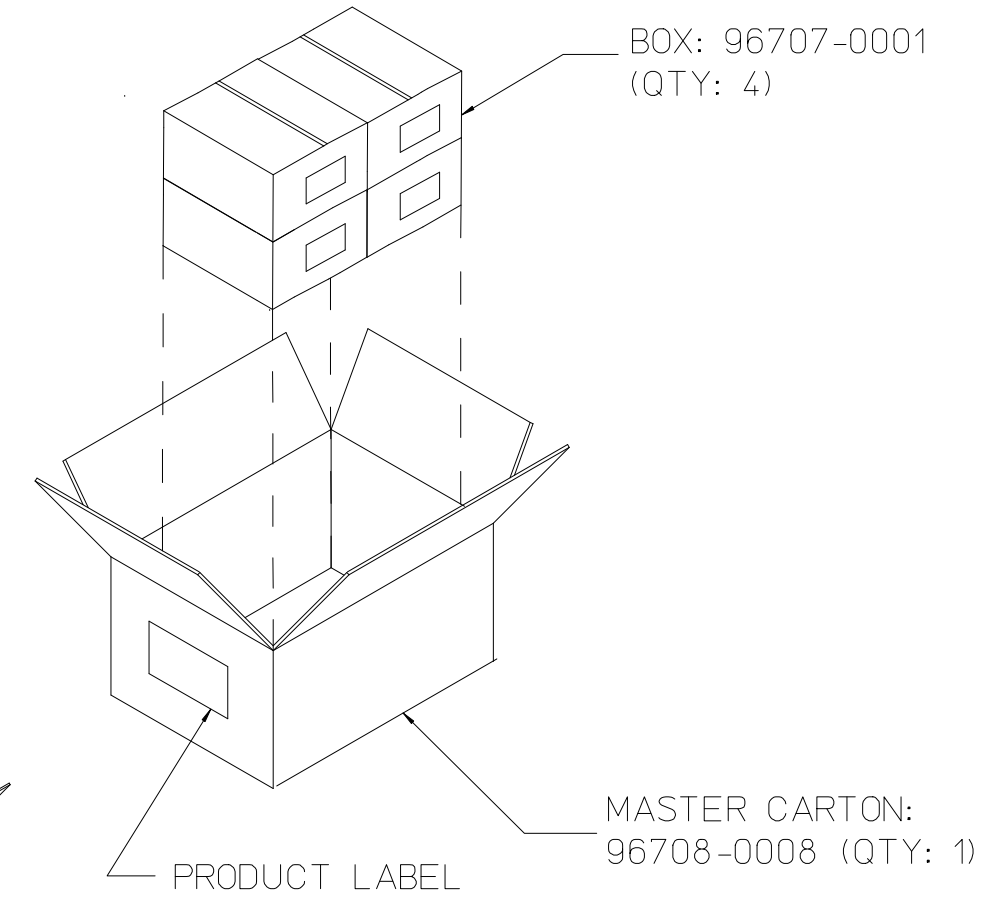
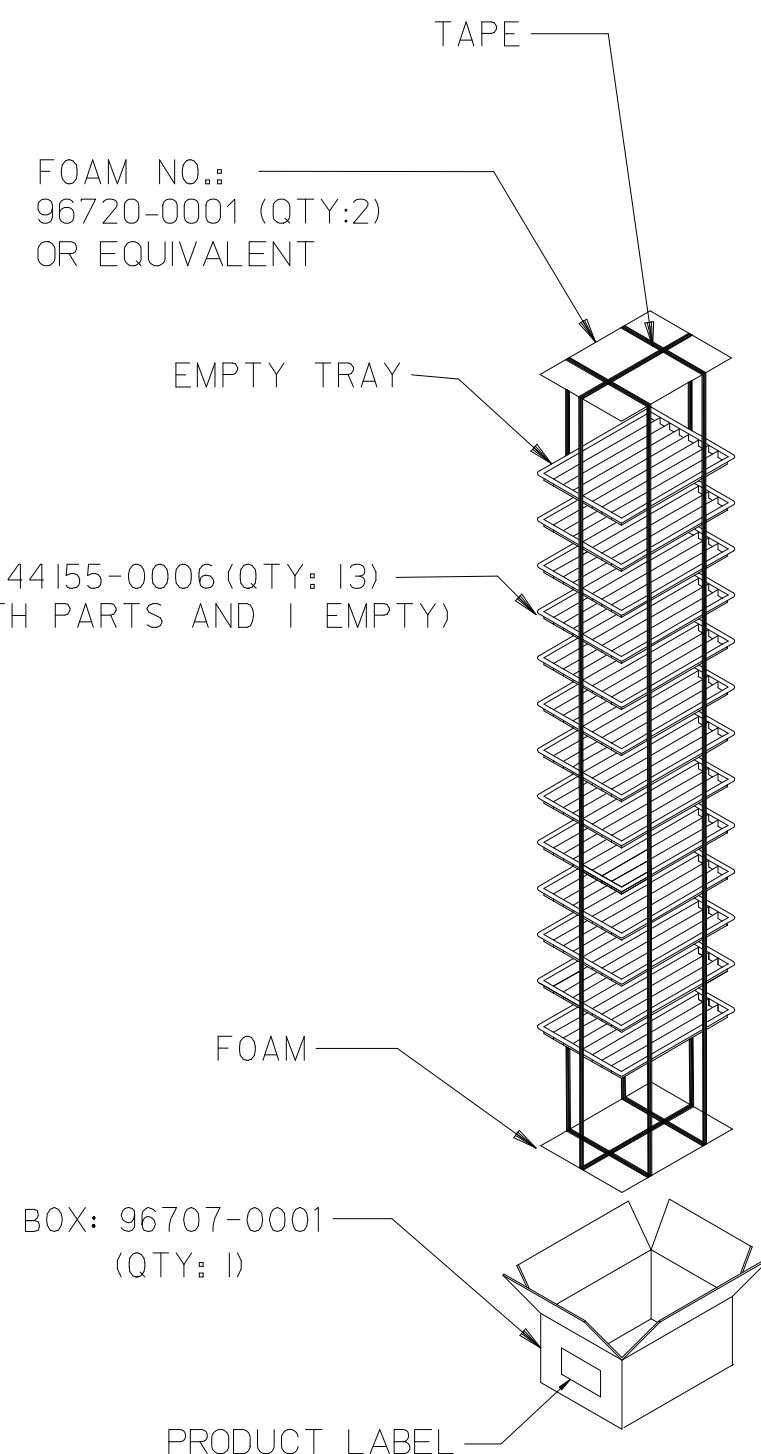


DETAIL A



DETAIL B



HEADER WITH PEGS			
NO. OF CKTS	PARTS PER TRAY	PARTS PER BOX	QUANTITY PER MASTER CARTON
2	140	1680	6720
4	100	1200	4800
6	80	960	3840
8	65	780	3120
10	55	660	2640
12	50	600	2400
14	45	540	2160
16	40	480	1920
18	35	420	1680
20	30	360	1440
22	30	360	1440
24	25	300	1200

HEADER WITHOUT PEGS			
NO. OF CKTS	PARTS PER TRAY	PARTS PER BOX	QUANTITY PER MASTER CARTON
2	280	3360	13440
4	160	1920	7680
6	115	1380	5520
8	85	1020	4080
10	70	840	3360
12	60	720	2880
14	50	600	2400
16	45	540	2160
18	40	480	1920
20	35	420	1680
22	30	360	1440
24	30	360	1440

NOTES:
 1. THIS PACKAGING SPECIFICATION IS FOR DUAL ROW ASSEMBLIES ONLY.
 SERIES #5566, 44472, 46015, 172675, 172447, 42382, 43588, 43460, 46216.

CHANGE FOAM P/N EC NO: UCP2017-1294 DRWN:CSLAFTER 2016/12/08 CHKD:JBELL 2016/12/08 APPR:FSMITH 2016/12/20	QUALITY SYMBOLS □=0 □=0 □=0	GENERAL TOLERANCES (UNLESS SPECIFIED)		DIMENSION STYLE IN/MM		SCALE	DESIGN UNITS INCH	THIRD ANGLE PROJECTION		
				mm	INCH	DRAWN BY ADRATNOL DATE 2005/09/20		TITLE		
		4 PLACES ± --- ± ---				CHECKED BY GPOLGAR DATE 2005/09/20		PACKAGING SPECIFICATION MINI-FIT JR DUAL ROW 5566 SERIES molex		
		3 PLACES ± --- ± ---				APPROVED BY FSMITH DATE 2016/12/20				
2 PLACES ± --- ± ---				MATERIAL NO.		DOCUMENT NO.		SHEET NO.		
1 PLACE ± --- ± ---				ANGULAR ±1/2°		PK-5566-001		1 OF 1		
0 PLACE ± --- ± ---				DRAFT WHERE APPLICABLE MUST REMAIN WITHIN DIMENSIONS		THIS DRAWING CONTAINS INFORMATION THAT IS PROPRIETARY TO MOLEX INCORPORATED AND SHOULD NOT BE USED WITHOUT WRITTEN PERMISSION				