

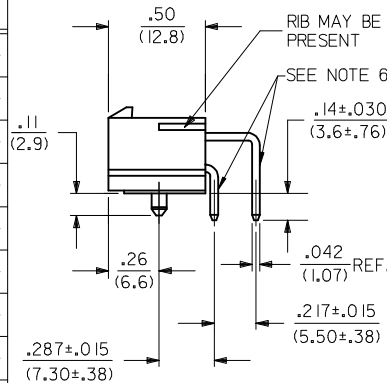
172448 - * * *

PLATING
SEE NOTE 2
0 = TIN
1 = GOLD

ASSEMBLY TYPE
0 = DUAL ROW W/PEGS (BLACK)
1 = DUAL ROW W/PEGS (BEIGE)

CIRCUIT SIZE

CIRCUIT SIZE	DIM. "A"	DIM. "B"
6	.54 (13.8)	.33 (8.4)
8	.71 (18.0)	.50 (12.6)
10	.87 (22.2)	.66 (16.8)
12	1.04 (26.4)	.83 (21.0)
14	1.20 (30.6)	.99 (25.2)
16	1.37 (34.8)	1.16 (29.4)
18	1.54 (39.0)	1.32 (33.6)
20	1.70 (43.2)	1.49 (37.8)
22	1.87 (47.4)	1.65 (42.0)
24	2.03 (51.6)	1.82 (46.2)



DIMENSION TYPICAL FOR ALL CIRCUIT SIZES

NOTES:

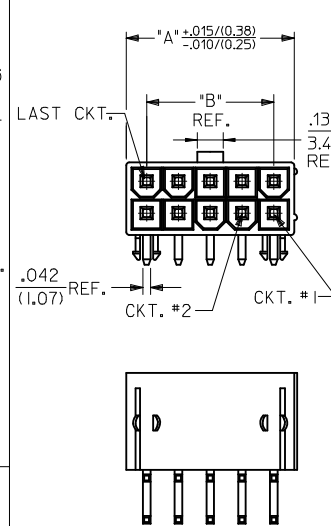
- MATERIAL:
HOUSING:
UNFILLED NYLON, UL94V-2, IEC 60335-1,
5TH EDITION GLOW WIRE CAPABLE, COLOR - SEE CHARTS.
TERMINAL:
BRASS ALLOY
- FINISH (PLATING):
GOLD = .000030/(0.00076) MIN. SELECT GOLD OVER
.000100/(0.00254) MIN. SELECT MATTE TIN
OVER .000050/(0.00127) MIN. NICKEL OVERALL
TIN = .000100/(0.00254) MIN. MATTE TIN OVER
.000050/(0.00127) MIN. NICKEL
- PRODUCT SPECIFICATION: PS-5556-001
- PACKAGING:
T = TRAY PACKED PER PK-5569-003
- PART MATES WITH MINI-FIT JR. RECEPTACLE SERIES 46992.
- FORMING MARKS ON PINS ARE ACCEPTABLE.
- DISCOLORATION IN THE BANDOLIER CARRIER AREA OF THE PIN IS
INHERENT TO THE PLATING PROCESS AND IS DUE TO THE MASKING
EFFECT OF THE CARRIER. THIS DISCOLORATION IS IN A NON-FUNCTIONAL
AREA OF THE PIN AND WILL NOT AFFECT THE PERFORMANCE OF THE
HEADER ASSEMBLY.
- PART CONFORMS TO CLASS "B" REQUIREMENTS OF COSMETIC
SPECIFICATION PS-45499-002. WITH THE EXCEPTION OF FLASH, DISCOLORATION
AND SINK MEET CLASS "C" REQUIREMENTS.
- CONNECTORS ARE NOT TO BE MATED AND UNMATED WHILE CIRCUITS ARE LIVE.
- PARTS ARE NOT DESIGNED FOR CURRENT SHARING.

PART NUMBER	CKT SIZE	PLATING SEE NOTE 2	COLOR
172448-0002	2	TIN	BLACK
172448-0004	4		
172448-0006	6		
172448-0008	8		
172448-0010	10		
172448-0012	12		
172448-0014	14		

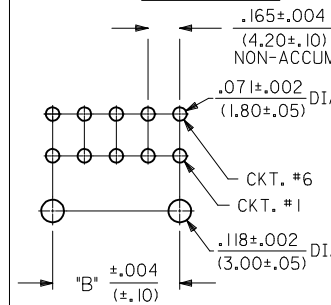
PART NUMBER	CKT SIZE	PLATING SEE NOTE 2	COLOR
172448-1002	2	GOLD	BLACK
172448-1004	4		
172448-1006	6		
172448-1008	8		
172448-1010	10		
172448-1012	12		
172448-1014	14		

PART NUMBER	CKT SIZE	PLATING SEE NOTE 2	COLOR
172448-0102	2	TIN	BEIGE
172448-0104	4		
172448-0106	6		
172448-0108	8		
172448-0110	10		
172448-0112	12		
172448-0114	14		

PART NUMBER	CKT SIZE	PLATING SEE NOTE 2	COLOR
172448-1102	2	GOLD	BEIGE
172448-1104	4		
172448-1106	6		
172448-1108	8		
172448-1110	10		
172448-1112	12		
172448-1114	14		

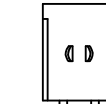
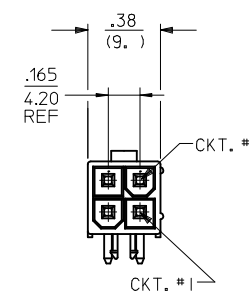


5569-A2*-*

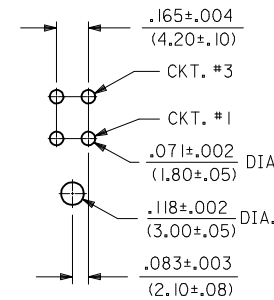


RECOMMENDED HOLE LAYOUT FOR .070/(1.78) MAX. THICK P.C. BOARD VIEWED FROM COMPONENT SIDE

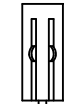
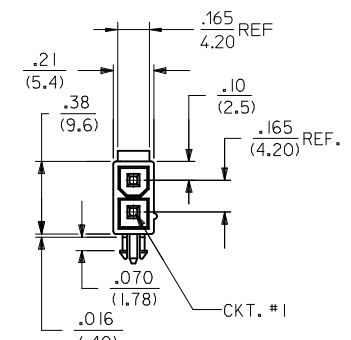
DIMENSIONS IN THIS VIEW ARE TYPICAL FOR CIRCUIT SIZES 6 THRU 24



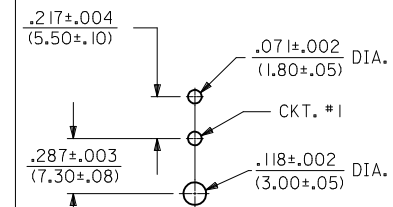
5569-04A2*-*



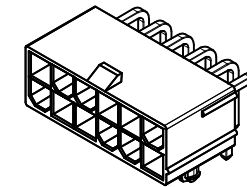
RECOMMENDED HOLE LAYOUT FOR .070/(1.78) MAX. THICK P.C. BOARD VIEWED FROM COMPONENT SIDE



5569-02A2*-*



RECOMMENDED HOLE LAYOUT FOR .070/(1.78) MAX. THICK P.C. BOARD VIEWED FROM COMPONENT SIDE



ADD NATURAL P/N'S	QUALITY SYMBOLS
IEC NO: UCP2016-0359	▽=0
DRWING: MONTI 2015/07/31	▽=0
CHKD: JBELL 2015/07/31	▽=0
APPR: FSMITH 2015/08/14	▽=0

GENERAL TOLERANCES (UNLESS SPECIFIED)	ANGULAR ±1/2°
4 PLACES ± --- ± ---	
3 PLACES ± --- ± .10	
2 PLACES ± .25 ± .015	
1 PLACE ± .38 ± ---	
0 PLACE ± --- ± ---	

DIMENSION STYLE	SCALE	DESIGN UNITS	THIRD ANGLE PROJECTION
IN/MM	2:1	METRIC	
DRAWN BY	DATE	TITLE	
NGUYEN	2014/04/11	MINI-FIT JR RIGHT ANGLE HEADER ASSEMBLIES WITH PEGS GLOW WIRE	
CHECKED BY	DATE		
JBELL	2014/04/11		
APPROVED BY	DATE		
FSMITH	2014/05/16		
MATERIAL NO.	DOCUMENT NO.		
SEE CHART	SD-172448-0000		

SIZE	SHEET NO.
C	1 OF 1
THIS DRAWING CONTAINS INFORMATION THAT IS PROPRIETARY TO MOLEX INCORPORATED AND SHOULD NOT BE USED WITHOUT WRITTEN PERMISSION	

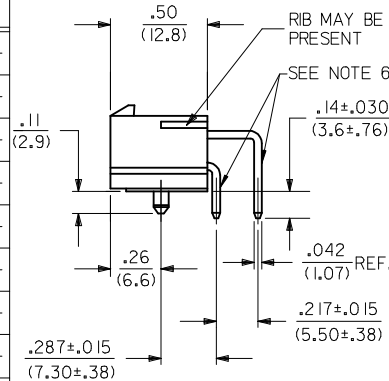
172448 - * * *

PLATING
SEE NOTE 2
0 = TIN
1 = GOLD

ASSEMBLY TYPE
0 = DUAL ROW W/PEGS (BLACK)
1 = DUAL ROW W/PEGS (BEIGE)

CIRCUIT SIZE

CIRCUIT SIZE	DIM. "A"	DIM. "B"
6	.54 (13.8)	.33 (8.4)
8	.71 (18.0)	.50 (12.6)
10	.87 (22.2)	.66 (16.8)
12	1.04 (26.4)	.83 (21.0)
14	1.20 (30.6)	.99 (25.2)
16	1.37 (34.8)	1.16 (29.4)
18	1.54 (39.0)	1.32 (33.6)
20	1.70 (43.2)	1.49 (37.8)
22	1.87 (47.4)	1.65 (42.0)
24	2.03 (51.6)	1.82 (46.2)



DIMENSION TYPICAL FOR ALL CIRCUIT SIZES

NOTES:

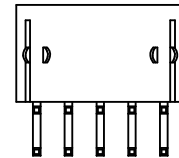
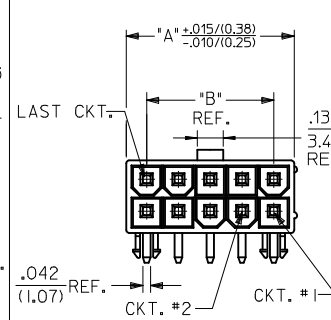
- MATERIAL:
HOUSING:
UNFILLED NYLON, UL94V-2, IEC 60335-1,
5TH EDITION GLOW WIRE CAPABLE, COLOR - SEE CHARTS.
TERMINAL:
BRASS ALLOY
- FINISH (PLATING):
GOLD = .000030/(0.00076) MIN. SELECT GOLD OVER
.000100/(0.00254) MIN. SELECT MATTE TIN
OVER .000050/(0.00127) MIN. NICKEL OVERALL
TIN = .000100/(0.00254) MIN. MATTE TIN OVER
.000050/(0.00127) MIN. NICKEL
- PRODUCT SPECIFICATION: PS-5556-001
- PACKAGING:
T = TRAY PACKED PER PK-5569-003
- PART MATES WITH MINI-FIT JR. RECEPTACLE SERIES 46992.
- FORMING MARKS ON PINS ARE ACCEPTABLE.
- DISCOLORATION IN THE BANDOLIER CARRIER AREA OF THE PIN IS
INHERENT TO THE PLATING PROCESS AND IS DUE TO THE MASKING
EFFECT OF THE CARRIER. THIS DISCOLORATION IS IN A NON-FUNCTIONAL
AREA OF THE PIN AND WILL NOT AFFECT THE PERFORMANCE OF THE
HEADER ASSEMBLY.
- PART CONFORMS TO CLASS "B" REQUIREMENTS OF COSMETIC
SPECIFICATION PS-45499-002. WITH THE EXCEPTION OF FLASH, DISCOLORATION
AND SINK MEET CLASS "C" REQUIREMENTS.
- CONNECTORS ARE NOT TO BE MATED AND UNMATED WHILE CIRCUITS ARE LIVE.
- PARTS ARE NOT DESIGNED FOR CURRENT SHARING.

PART NUMBER	CKT SIZE	PLATING SEE NOTE 2	COLOR
172448-0002	2	TIN	BLACK
172448-0004	4		
172448-0006	6		
172448-0008	8		
172448-0010	10		
172448-0012	12		
172448-0014	14		

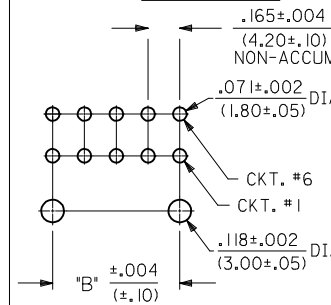
PART NUMBER	CKT SIZE	PLATING SEE NOTE 2	COLOR
172448-1002	2	GOLD	BLACK
172448-1004	4		
172448-1006	6		
172448-1008	8		
172448-1010	10		
172448-1012	12		
172448-1014	14		

PART NUMBER	CKT SIZE	PLATING SEE NOTE 2	COLOR
172448-0102	2	TIN	BEIGE
172448-0104	4		
172448-0106	6		
172448-0108	8		
172448-0110	10		
172448-0112	12		
172448-0114	14		

PART NUMBER	CKT SIZE	PLATING SEE NOTE 2	COLOR
172448-1102	2	GOLD	BEIGE
172448-1104	4		
172448-1106	6		
172448-1108	8		
172448-1110	10		
172448-1112	12		
172448-1114	14		

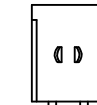
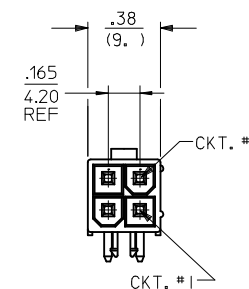


5569-A2*-*

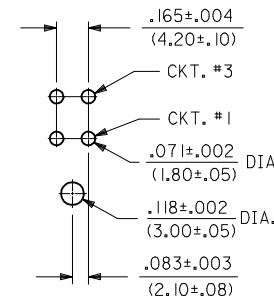


RECOMMENDED HOLE LAYOUT FOR .070/(1.78) MAX. THICK P.C. BOARD VIEWED FROM COMPONENT SIDE

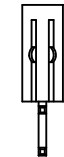
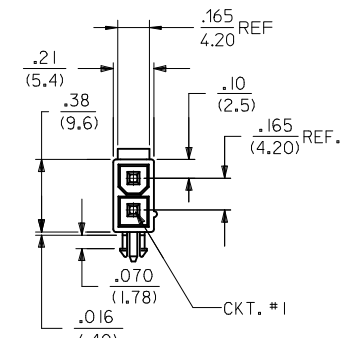
DIMENSIONS IN THIS VIEW ARE TYPICAL FOR CIRCUIT SIZES 6 THRU 24



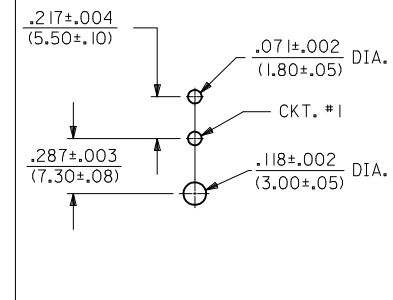
5569-04A2*-*



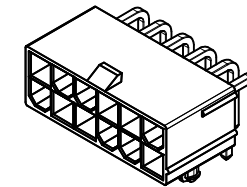
RECOMMENDED HOLE LAYOUT FOR .070/(1.78) MAX. THICK P.C. BOARD VIEWED FROM COMPONENT SIDE



5569-02A2*-*



RECOMMENDED HOLE LAYOUT FOR .070/(1.78) MAX. THICK P.C. BOARD VIEWED FROM COMPONENT SIDE



ADD NATURAL P/N'S	QUALITY SYMBOLS
IEC NO: UCP2016-0359	▽=0
DRWING: MONTI 2015/07/31	▽=0
CHKD: JBELL 2015/07/31	▽=0
APPR: FSMITH 2015/08/14	

GENERAL TOLERANCES (UNLESS SPECIFIED)	DRAFT WHERE APPLICABLE MUST REMAIN WITHIN DIMENSIONS
4 PLACES ± --- ± ---	
3 PLACES ± --- ± .10	
2 PLACES ± .25 ± .015	
1 PLACE ± .38 ± ---	
0 PLACE ± --- ± ---	
ANGULAR ±1/2°	

DIMENSION STYLE	SCALE	DESIGN UNITS	THIRD ANGLE PROJECTION
IN/MM	2:1	METRIC	
DRAWN BY	DATE	TITLE	
NGUYEN	2014/04/11	MINI-FIT JR RIGHT ANGLE HEADER ASSEMBLIES WITH PEGS GLOW WIRE	
CHECKED BY	DATE		
JBELL	2014/04/11		
APPROVED BY	DATE		
FSMITH	2014/05/16		
MATERIAL NO.	DOCUMENT NO.		
SEE CHART	SD-172448-0000		

SIZE	SHEET NO.
C	1 OF 1
THIS DRAWING CONTAINS INFORMATION THAT IS PROPRIETARY TO MOLEX INCORPORATED AND SHOULD NOT BE USED WITHOUT WRITTEN PERMISSION	