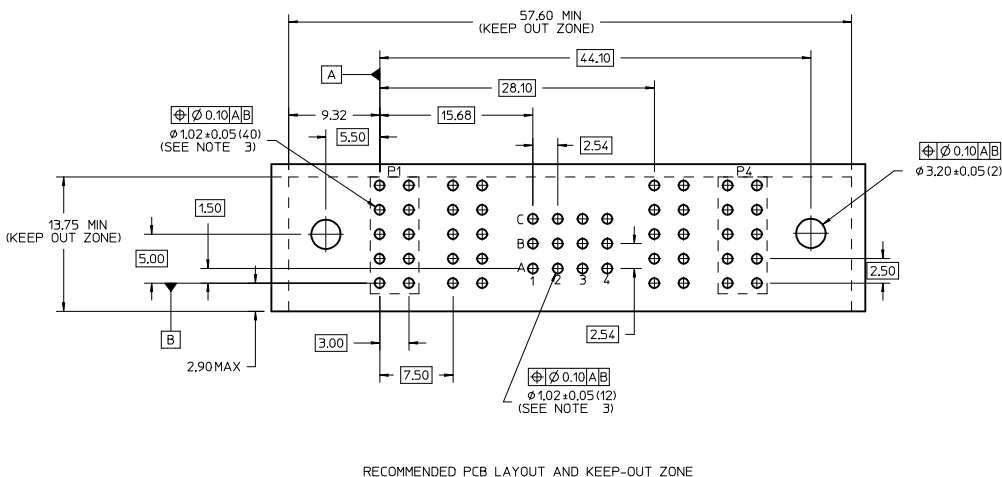
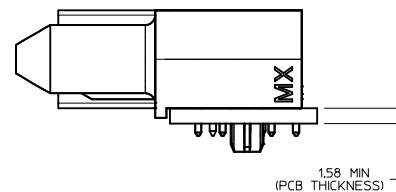
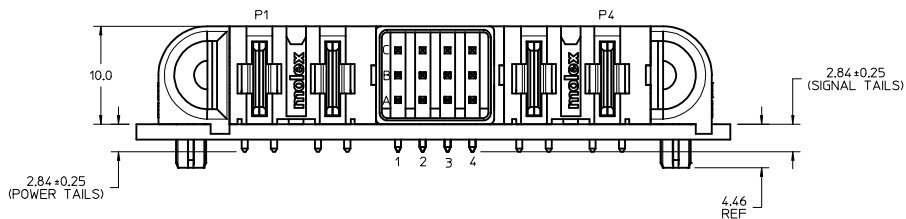
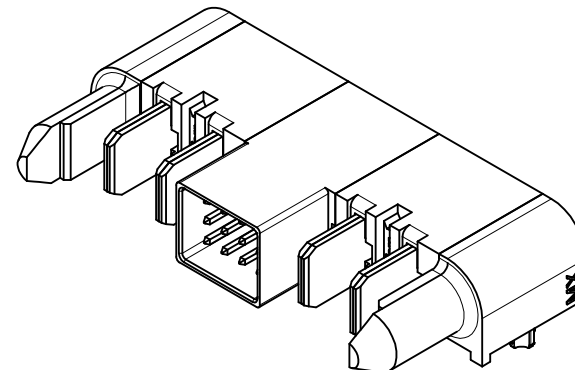
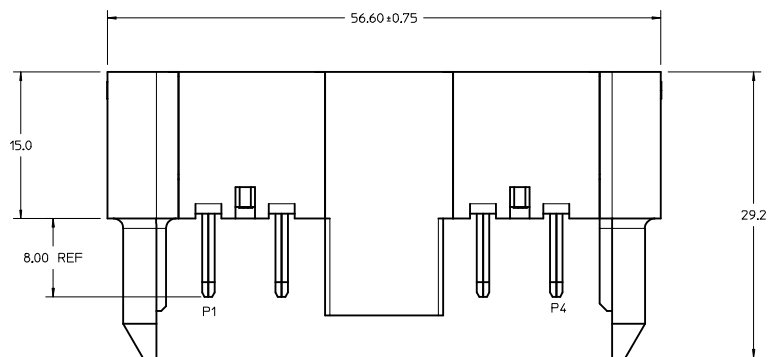


NOTES:

- MATERIAL:
 - HOUSINGS: LCP UL94, V-0, COLOR : BLACK
 - TERMINALS: HIGH CONDUCTIVITY COPPER ALLOY
 - PLATING: 127 MICROMETER (50 MICROINCH) NICKEL OVERALL WITH 2.54 MICROMETER (100 MICROINCH) SELECTIVE TIN ON TAILS AND 0.762 MICROMETER (30 MICROINCH) SELECTIVE GOLD ON CONTACT AREA
- PACKAGING: ASSEMBLIES TO BE TRAY PACKED PER PACKAGING SPEC: PK-46437-003
- PLATED THRU HOLE SIZE, REFER TO PS-173693-001 FOR DETAILS
- PRODUCT SPEC: PS-173693-001
- PRODUCT TO MEET RoHS REQUIREMENTS
- ASSEMBLY MATES TO MOLEX RECEPTACLE HOUSING P/N 172512-3412. SEE SD-172512-001 FOR DETAILS
- TAIL DESIGN: SOLDER TAIL
- POWER TERMINALS ARE LUBRICATED

REVISE NOTES 3 & 4 EEC NO: UCP2016-4071 DRAWN: SCHAFER 2016/04/18 CHKD: APPR: BPI/SZCZOR 2016/10/03	QUALITY SYMBOLS	GENERAL TOLERANCES (UNLESS SPECIFIED)	DIMENSION STYLE	SCALE	DESIGN UNITS	THIRD ANGLE PROJECTION
	▽=0	mm INCH	MM ONLY	4:1	METRIC	
	▽=0	4 PLACES ±--- ±---	DRAWN BY	DATE	TITLE	
	▽=0	3 PLACES ±0.13 ±---	GB	2014/05/05	PTB R/A PLUG ASSY	
		1 PLACE ±0.25 ±---	CHECKED BY	DATE	G-2P-12S-2P-G	
		0 PLACE ±--- ±---	APPROVED BY	DATE	TEN60 POWER FAMILY	
		ANGULAR ±1/2°	BPI/SZCZOR	2016/10/03	molex	
		DRAFT WHERE APPLICABLE MUST REMAIN WITHIN DIMENSIONS	MATERIAL NO.	DOCUMENT NO.		
			172458-0412	SD-172458-0412		
			SIZE D			
			THIS DRAWING CONTAINS INFORMATION THAT IS PROPRIETARY TO MOLEX INCORPORATED AND SHOULD NOT BE USED WITHOUT WRITTEN PERMISSION			
						SHEET NO. 1 OF 1



RECOMMENDED PCB LAYOUT AND KEEP-OUT ZONE

NOTES:

- MATERIAL:
 - HOUSINGS: LCP UL94, V-0, COLOR : BLACK
 - TERMINALS: HIGH CONDUCTIVITY COPPER ALLOY
 - PLATING: 127 MICROMETER (50 MICROINCH) NICKEL OVERALL WITH 2.54 MICROMETER (100 MICROINCH) SELECTIVE TIN ON TAILS AND 0.762 MICROMETER (30 MICROINCH) SELECTIVE GOLD ON CONTACT AREA
- PACKAGING: ASSEMBLIES TO BE TRAY PACKED PER PACKAGING SPEC: PK-46437-003
- PLATED THRU HOLE SIZE, REFER TO PS-173693-001 FOR DETAILS
- PRODUCT SPEC: PS-173693-001
- PRODUCT TO MEET RoHS REQUIREMENTS
- ASSEMBLY MATES TO MOLEX RECEPTACLE HOUSING P/N 172512-3412. SEE SD-172512-001 FOR DETAILS
- TAIL DESIGN: SOLDER TAIL
- POWER TERMINALS ARE LUBRICATED

REVISE NOTES 3 & 4 EEC NO: UCP2016-4071 DRAWN: SCHAFER 2016/04/18 CHKD: APPR: BPI/SZCZOR 2016/10/03	QUALITY SYMBOLS	GENERAL TOLERANCES (UNLESS SPECIFIED)	DIMENSION STYLE	SCALE	DESIGN UNITS	THIRD ANGLE PROJECTION
	▽=0	mm INCH	MM ONLY	4:1	METRIC	
	▽=0	4 PLACES ±--- ±---	DRAWN BY	DATE	TITLE	
	▽=0	3 PLACES ±--- ±---	GB	2014/05/05	PTB R/A PLUG ASSY	
		1 PLACE ±0.25 ±---	CHECKED BY	DATE	G-2P-12S-2P-G	
		0 PLACE ±--- ±---	APPROVED BY	DATE	TEN60 POWER FAMILY	
		ANGULAR ±1/2°	BPI/SZCZOR	2016/10/03	molex	
		DRAFT WHERE APPLICABLE MUST REMAIN WITHIN DIMENSIONS	MATERIAL NO.	DOCUMENT NO.		
			172458-0412	SD-172458-0412		
			SIZE D			
			THIS DRAWING CONTAINS INFORMATION THAT IS PROPRIETARY TO MOLEX INCORPORATED AND SHOULD NOT BE USED WITHOUT WRITTEN PERMISSION			
					SHEET NO.	
					1 OF 1	