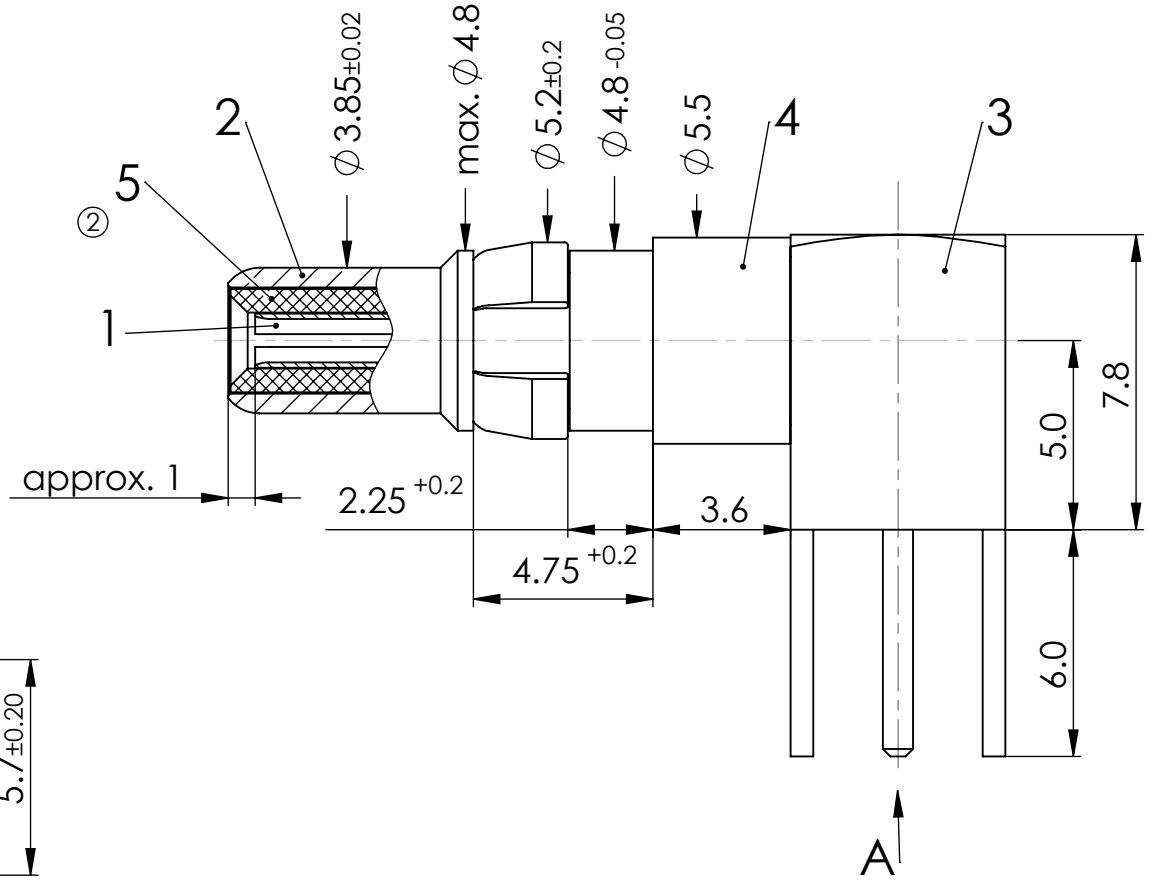
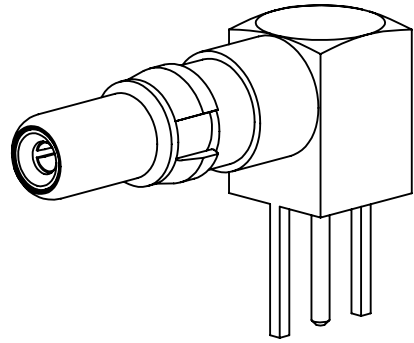
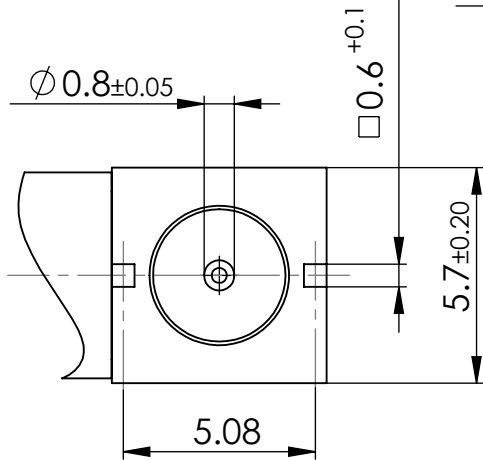
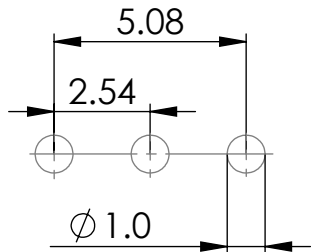


COMMENT:  
 ALL RIGHTS ARE RESERVED BY US FOR THIS DRAWING. WITHOUT OUR PRIOR CONSENT,  
 IT MAY NEITHER BE DUPLICATED NOR MADE AVAILABLE TO A THIRD PARTY,  
 AND IT ALSO MAY NOT BE IMPROPERLY USED BY THE RECEIVER, OR A THIRD PARTY.



PCB-Layout



IMPEDANCE	50 Ohm	COAXIAL CONTACT	SCALE	CABLE	①
FOR	D-SUB		5:1		
DIMENSIONS IN MM		DRAWN	NAME / DATE		
MATERIAL + FINISH SEE EXTRA SHEET		CHECKED	D. Bocan 11-03-2003		DATA SHEET
UNLESS OTHERWISE SPECIFIED DIMENSIONS FOR REFERENCE ONLY			erappenglitz 01-03-2006		
2	01-03-2006	11381			PART NO.
REV.	DATE	INDEX			FME008P
			ORIGINAL: DIN A4-DRAWING AS A FILE	REPLACEMENT FOR:	2
					PAGE: 1/1