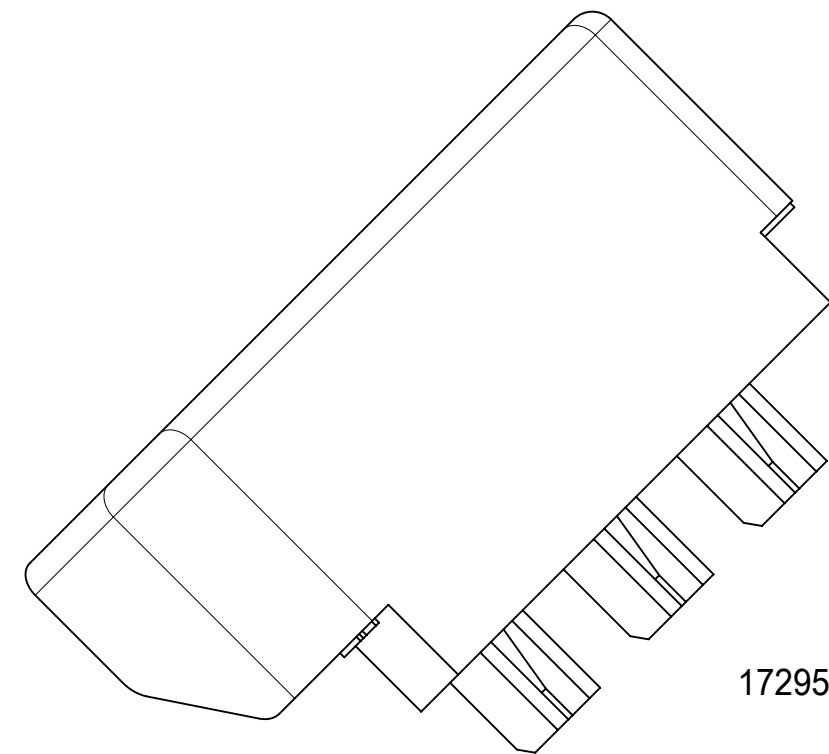
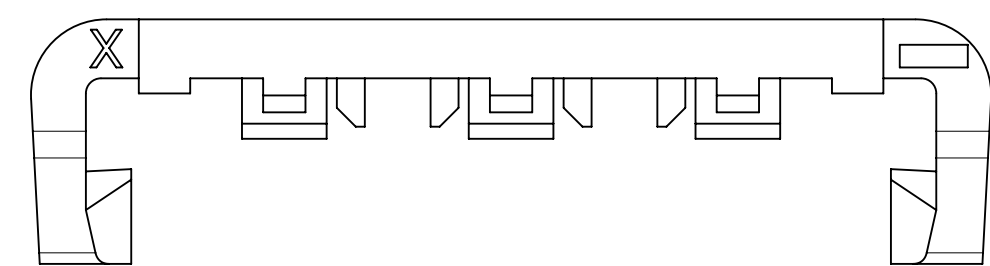
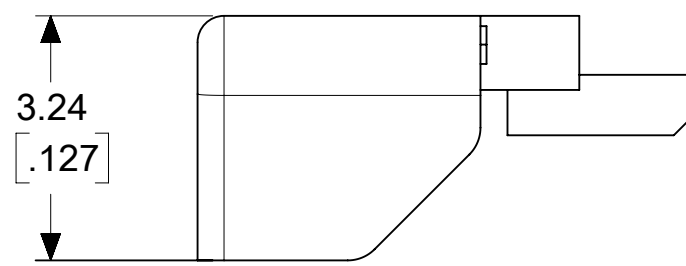
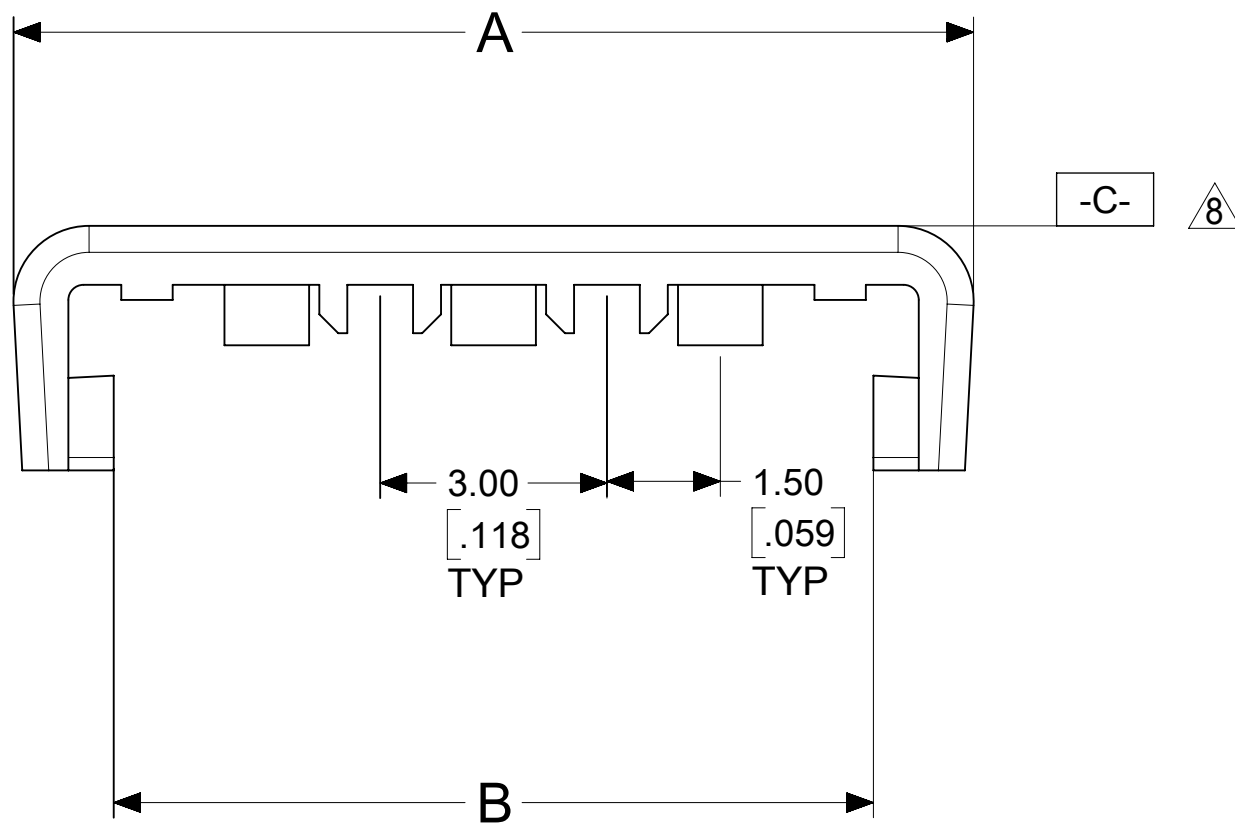
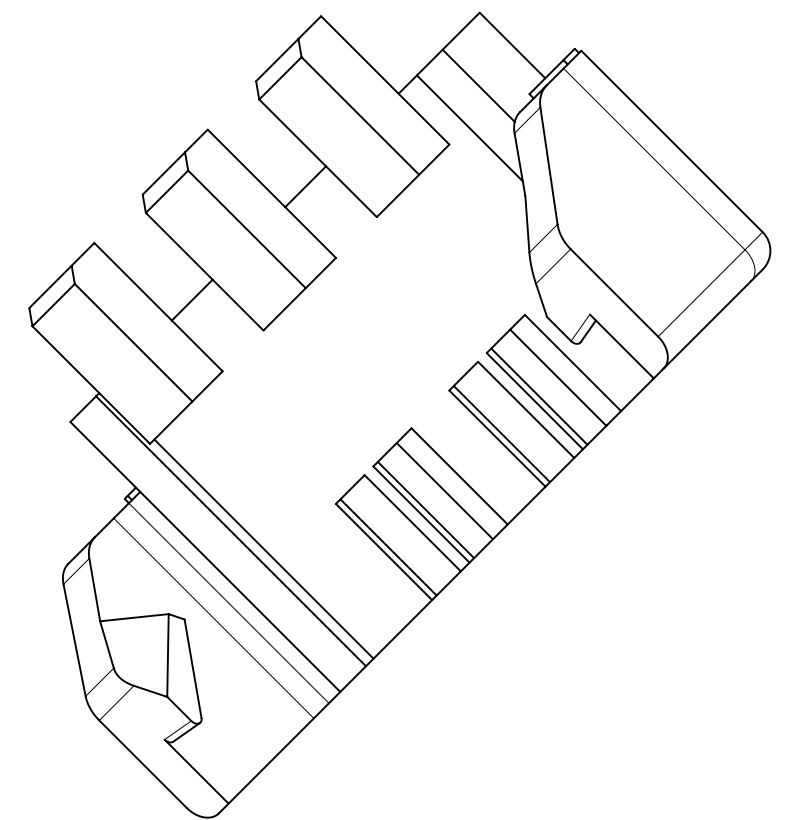


- NOTES:
- 1) MATERIAL:
UNFILLED NYLON, RATED UL94V-0 LOW HALOGEN, COLOR: NATURAL
 - 2) FINISH: NONE
 - 3) PRODUCT SPECIFICATION: PS-43045
 - 4) PACKAGING SPECIFICATION: BULK PER 1729530001-PK
 - 5) FOR USE WITH: 172952-XX01 RECEPTACLE OR 203632-XX0X PLUG HOUSINGS. NEVER USE WITHOUT TPA.
 - 6) THIS PART CONFORMS TO CLASS B REQUIREMENTS OF COSMETIC SPEC PS-45499-002
 - 7) TEXT ON PART IS FOR REFERENCE ONLY. TEXT AND TEXT LOCATION MAY VARY
 - 8 BOW 0.38 / .015 MAX PER 25.4 / 1.00 ON SURFACE C
 - 9 CIRCUIT SIZE INDICATES THE SIZE OF THE MATCHING DUAL-ROW HOUSING.
TWO TPA STRAPS ARE REQUIRED FOR EACH HOUSING.
 - 10) SEE SD-172952-001 (RECEPTACLE) OR 2036320000-SD (PLUG) FOR INSTALLATION INSTRUCTIONS.



172953-06* SHOWN



24	172953-2401	39.70 / 1.563	37.05 / 1.459
22	172953-2201	36.70 / 1.445	34.05 / 1.341
20	172953-2001	33.70 / 1.327	31.05 / 1.222
18	172953-1801	30.70 / 1.209	28.05 / 1.104
16	172953-1601	27.70 / 1.091	25.05 / .986
14	172953-1401	24.70 / .973	22.05 / .868
12	172953-1201	21.70 / .854	19.05 / .750
10	172953-1001	18.70 / .736	16.05 / .632
8	172953-0801	15.70 / .618	13.05 / .514
6	172953-0601	12.70 / .500	10.05 / .396
4	172953-0401	9.70 / .382	7.05 / .278
CKT SZ.	PART NUMBER	DIM ±0.51 A ±.020	DIM ±0.38 B ±.015
DOCUMENT STATUS	P1	RELEASE DATE	2018/09/20 15:49:06

SYMBOLS				THIS DRAWING CONTAINS INFORMATION THAT IS PROPRIETARY TO MOLEX ELECTRONIC TECHNOLOGIES, LLC AND SHOULD NOT BE USED WITHOUT WRITTEN PERMISSION			
▽ = 0	MM/IN	SCALE	10:1	CURRENT REV DESC: NOTE 5			
▽ = 0	GENERAL TOLERANCES (UNLESS SPECIFIED)			EC NO: 602458			
▽ = 0		MM	INCH	DRWN: SALHAMY 2018/07/19			
▽ = 0	4 PLACES	±	±	CHK'D: SSOUSEK 2018/09/12			
▽ = 0	3 PLACES	±	± 0.01	APPR: FSMITH 2018/09/20			
▽ = 0	2 PLACES	± 0.25	± 0.015	INITIAL REVISION:			
▽ = 0	1 PLACE	± 0.38	±	DRWN: BANDERSON 2015/01/13			
▽ = 0	0 PLACES	±	±	APPR: BPISZCZOR 2016/03/24			
▽ = 0	ANGULAR TOL ± 0.5 °			THIRD ANGLE PROJECTION			
▽ = 0	DRAFT WHERE APPLICABLE MUST REMAIN WITHIN DIMENSIONS			DRAWING SERIES			
▽ = 0				C-SIZE 172953			
DOCUMENT NUMBER		DOC TYPE		DOC PART		REVISION	
SD-172953-001		PSD		001		A3	
MATERIAL NUMBER		CUSTOMER		SHEET NUMBER			
SEE CHART		GENERAL MARKET		1 OF 1			