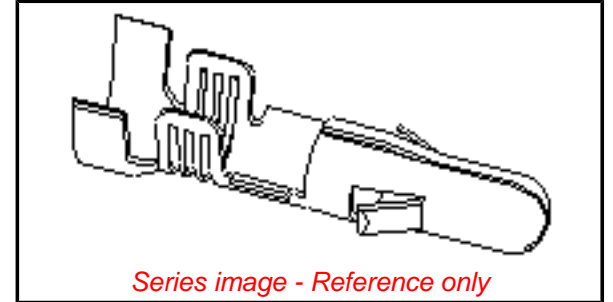


Part Number: [0018122222](#)

Status: **Active**

Description: 3.18mm (.125") Diameter HCS-125 Pin and Socket Crimp Terminal, Series 2046, Male, with Tin (Sn) Plated Brass Contact, 16-18 AWG, Bag



General

Product Family	Crimp Terminals
Series	<u>2046</u>
Product Name	HCS-125

Physical

Gender	Male
Material - Metal	Brass
Material - Plating Mating	Tin
Material - Plating Termination	Tin
Packaging Type	Bag
Plating min: Mating (µin)	20
Plating min: Mating (µm)	0.50
Plating min: Termination (µin)	20
Plating min: Termination (µm)	0.50
Termination Interface: Style	Crimp or Compression
Wire Insulation Diameter	3.05mm (.120") max.
Wire Size AWG	16
Wire Size AWG	18
Wire Size mm ²	N/A

Electrical

CSA	LR19980
-----	---------

Material Info

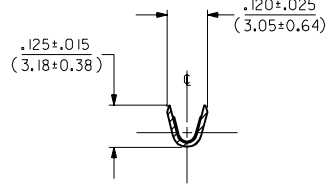
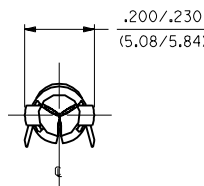
Old Part Number	2046-1(P901)L
-----------------	---------------

EU RoHS
ELV and RoHS
Compliant

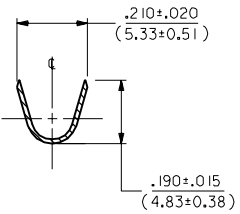
China RoHS



PART NO.	ENG. NO.
18-12-2222	2046-1(P90)IL
18-12-2221	2046-1(P90)I



SECT. "B-B"



SECT. "A-A"

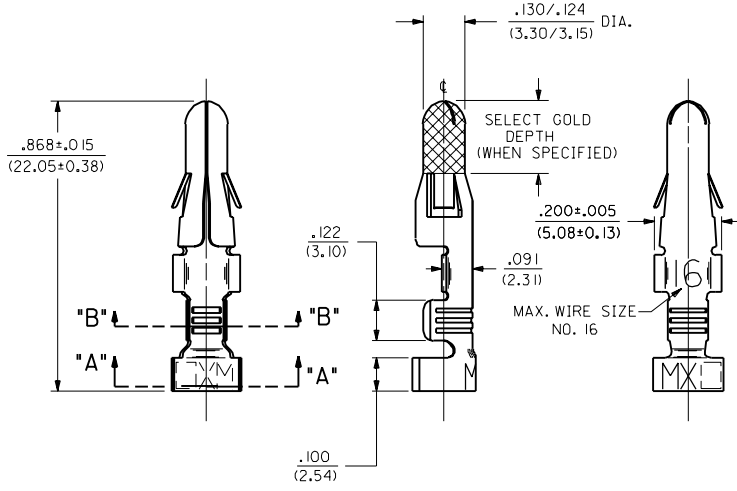
LEGEND

2046-1(****)*

- VERSION .120/(3.05) MAX. DIA. INSULATION
- FORM BLANK=CHAIN L=LOOSE
- P=PREPLATE BLANK=POSTPLATE
- FINISH CODE

- NOTES:
- TERMINAL FOR USE WITH .125/(3.17) SERIES HOUSINGS AND WILL ACCEPT 16 THRU 18 AWG WIRE HAVING A .120/(3.05) MAX. DIAMETER INSULATION.
 - INSERTION FORCE: 6.0 LBS. MAX. WHEN TERMINAL IS INSERTED INTO .125/(3.17) DIA. CORE HOLE.
 - PULL OUT FORCE: 30 LBS. MIN. RETENTION IN HOUSING .

FINISH CODES:
901 HOT TIN DIP .000020/(0.00051) MIN.



MATERIAL NOTES:
1. CARTRIDGE BRASS, ALLOY #C26000;
.013/(0.33) THICK, SPRING TEMPER

DI	REV.	DESCRIPTION
		OBS. - (K555) & - (K555)IL ECR U6 0379 9/21/95 RW
D		ADD SELECT AREA ECR UO 0230 3-5-90 RW
C		REVISE PER ECR U9 1189 11-28-89 TRM
B		REV. & REDRAWN ECR U8 1941 KBW 10-4-88 RW

DIMENSIONS SHOWN (METRIC) INCH UNLESS OTHERWISE SPECIFIED TOLERANCES: ANGULAR ± .04° TO		▽ = 0 ▼ = 0		REVISE ONLY ON CAD SYSTEM	
3 PLACE ± .010	METRIC --- ± 0.25	TITLE		CRIMP TERMINAL, MALE, .125/(3.17) DIA 16-18 AWG .120/(3.05) DIA. INSUL.	
2 PLACE ± .014	--- ± 0.35	PART NO.		SD-2046-1	
1 PLACE ---	---	DRAWING		DATE 10/4/88	
DRAFT WHERE APPLICABLE MUST REMAIN WITHIN DIMENSIONS		MOLE INCORPORATED U.S.A.		SHEET NO. 1 OF 1	
DRW: KBW	CHKD: RW	FILE NAME		SIZE	
APP'D: RAS	SCALE 4 : 1	SEE CHART		NO. P.S.	
THIS DRAWING CONTAINS INFORMATION THAT IS PROPRIETARY TO MOLEX INC. AND SHOULD NOT BE USED WITHOUT WRITTEN PERMISSION.					