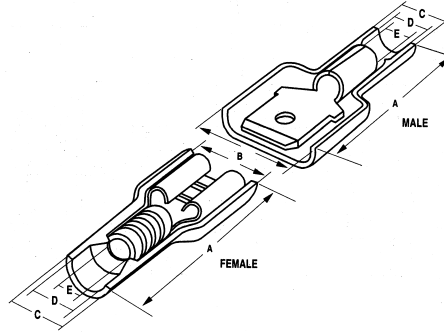


COUPLERS

These parts are available in 18 to 22 AWG through 10 to 12 AWG. These fully insulated nylon couplers are precision engineered, allowing the female terminal to fit precisely into the corresponding male housing, allowing a fully insulated in-line splice. This splice may be connected and disconnected without damage to the nylon insulation.

molex® Fully Insulated Quick Disconnects

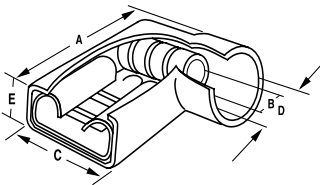
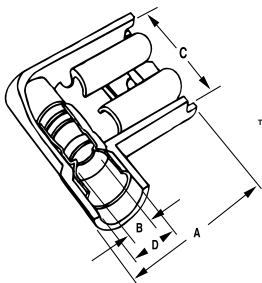


Fully Insulated Male Couplers											
Wire Range AWG (mm ²)	Tab Size (in.)	Loose Piece Order No.	Mylar Tape Order No.	Molded Strip Order No.	Color	Stock (in.)	Dimension (in.)				
							A Max.	B Max.	C Max. Dia.	D MWID	E Min.
18-22 (0.80-0.35)	.250 by .032	19004-0001	19004-0004		Red	.031	.970	.450	.230	.145	.056
14-16 (2.00-1.30)	.250 by .032	19004-0005	19004-0008		Blue	.031	.970	.450	.230	.170	.083
10-12 (5.00-3.30)	.250 by .032	19004-0009	19004-0012		Yellow	.031	1.120	.460	.340	.275	.145

Fully Insulated Female Couplers											
Wire Range AWG (mm ²)	Accepts Tab Size (in.)	Loose Piece Order No.	Mylar Tape Order No.	Molded Strip Order No.	Color	Stock (in.)	Dimension (in.)				
							A Max.	B Max.	C Max.	D MWID	E Min.
18-22 (0.80-0.35)	.250 by .032	19005-0001	19005-0004	19005-0003	Red	.018	.890	.380	.230	.165	.083
14-16 (2.00-1.30)	.250 by .032	19005-0005	19005-0009	19005-0008	Blue	.018	.890	.380	.230	.165	.083
10-12 (5.00-3.30)	.250 by .032	19005-0010	19005-0015	19005-0014	Yellow	.018	1.040	.380	.340	.275	.150

FLAGS, FULLY INSULATED

- Space saving design
- Available in insulated and uninsulated versions
- Because of the width mylar mounted tape parts are double spaced



Avikrimp® Fully Pre-Insulated Quick Disconnect Flags										
Wire Range AWG (mm ²)	Tab Size (in.)	Loose Piece Order No.	Mylar Tape Order No.	Metal Strip Order No.	Color	Stock (in.)	Dimension (in.)			
							A Max.	B Min.	C Max.	D MWID
18-22 (0.80-0.35)	.250 by .032	19006-0001	19006-0003	19006-0004	Red	.016	.635	.067	.390	.150
14-16 (2.00-1.30)	.250 by .032	19006-0011	19006-0013	19006-0014	Blue	.016	.635	.084	.390	.170
10-12 (5.00-3.30)	.250 by .032	19006-0019	19006-0020	19006-0070	Yellow	.016	.766	.128	.390	.248
18-22 (0.80-0.35)	.187 by .032	19006-0008	19006-0009	19006-0010	Red	.016	.635	.067	.390	.150
14-16 (2.00-1.30)	.187 by .032	19006-0017	19006-0018	19006-0024	Blue	.016	.635	.084	.390	.170
18-22 (0.80-0.35)	.187 by .020	19006-0005	19006-0006	19006-0007	Red	.016	.635	.067	.390	.150
14-16 (2.00-1.30)	.187 by .020	19006-0015	19006-0016	19006-0023	Blue	.016	.635	.084	.390	.170

Fully Insulated Flag Quick Disconnects (Standard Flare)											
Wire Range AWG (mm ²)	Tab Size (in.)	Loose Piece Order No.	Mylar Tape Order No.	Metal Strip Order No.	Color	Stock (in.)	Dimension (in.)				
							A Max.	B Min.	C Max.	D MWID	E Max.
18-22 (0.80-0.35)	.250 by .032	19007-0001	19007-0004	19007-0008	Red	.016	.630	.067	.390	.175	.200
14-16 (2.00-1.30)	.250 by .032	19007-0021	19007-0024	19007-0028	Blue	.016	.630	.089	.390	.200	.200
10-12 (5.00-3.30)	.250 by .032	19007-0040	19007-0053	19007-0041	Yellow	.016	.766	.127	.390	.262	.249
18-22 (0.80-0.35)	.187 by .032	19007-0015	19007-0016	19007-0020	Red	.016	.630	.067	.390	.175	.200
14-16 (2.00-1.30)	.187 by .032	19007-0035	19007-0036	19007-0039	Blue	.016	.630	.089	.390	.200	.200
18-22 (0.80-0.35)	.187 by .020	19007-0009	19007-0010	19007-0014	Red	.016	.630	.067	.390	.175	.200
14-16 (2.00-1.30)	.187 by .020	19007-0029	19007-0030	19007-0034	Blue	.016	.630	.089	.390	.200	.200

Fully Insulated Flag Quick Disconnects (Expanded Flare)											
Wire Range AWG (mm ²)	Tab Size (in.)	Loose Piece Order No.	Mylar Tape Order No.	Metal Strip Order No.	Color	Stock (in.)	Dimension (in.)				
							A Max.	B Min.	C Max.	D MWID	E Max.
18-22 (0.80-0.35)	.250 by .032	19007-0005	19007-0006	19007-0007	Red	.016	.660	.067	.390	.240	.200
14-16 (2.00-1.30)	.250 by .032	19007-0025	19007-0026	19007-0027	Blue	.016	.660	.089	.390	.265	.200
18-22 (0.80-0.35)	.187 by .032	19007-0017	19007-0018	19007-0019	Red	.016	.660	.067	.390	.240	.200
14-16 (2.00-1.30)	.187 by .032	19007-0037	19007-0038	19007-0060	Blue	.016	.660	.089	.390	.265	.200
18-22 (0.80-0.35)	.187 by .020	19007-0011	19007-0012	19007-0013	Red	.016	.660	.067	.390	.240	.200
14-16 (2.00-1.30)	.187 by .020	19007-0031	19007-0032	19007-0033	Blue	.016	.660	.089	.390	.265	.200

Note: Expanded flare not illustrated.