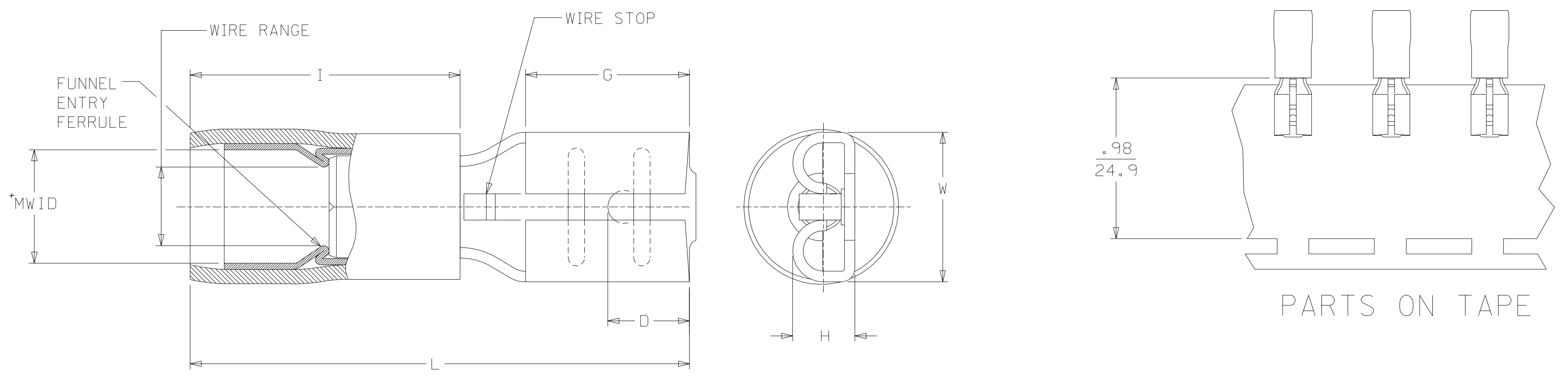


LOOSE PIECE		TAPE MOUNTED		SPECIFICATIONS											
MATERIAL NUMBER	ENGINEERING NUMBER	MATERIAL NUMBER	ENGINEERING NUMBER	INS. COLOR	WIRE AWG	RANGE MM ²	FITS MALE TAB SIZE	STOCK THICKNESS	"L" MAX.	"I" MAX.	"W" MAX.	"D" ±.01	"H" ±.01	"G" NOM.	MWID
190190012	AA-8140	190190013	AA-8140T	RED	22-18	0.25-1.5	.250x.032 (6.35X0.8)	1.016 (0.4)	1.865 (21.97)	1.41 (10.4)	1.301 (7.65)	1.56 (3.96)	1.03 (2.62)	1.31 (7.9)	1.15 (2.92)
190190031	BB-8141	190190033	BB-8141T	BLUE	16-14	1.0-2.5	.250x.032 (6.35X0.8)	1.016 (0.4)	1.865 (21.97)	1.41 (10.4)	1.301 (7.65)	1.56 (3.96)	1.03 (2.62)	1.31 (7.9)	1.38 (3.51)
190190052	P-8142	190190054	P-8142T	YELLOW	14-12	1.65-4.2	.250x.032 (6.35X0.8)	1.016 (0.4)	1.865 (21.97)	1.41 (10.4)	1.301 (7.65)	1.56 (3.96)	1.03 (2.62)	1.31 (7.9)	1.70 (4.32)
190190037	C-8143	190190038	C-8143T	YELLOW	10-12	4.0-6.0	.250x.032 (6.35X0.8)	1.018 (0.46)	1.011 (25.70)	1.011 (25.70)	1.305 (7.70)	1.56 (3.96)	1.11 (2.79)	1.31 (7.9)	2.25 (5.70) (B)
190190014	AA-8190	190190016	AA-8190T	RED	22-18	0.25-1.5	.205x.032 (5.21X0.8)	1.016 (0.4)	1.789 (20.04)	1.41 (10.4)	1.251 (6.38)	1.25 (3.18)	1.03 (2.62)	1.25 (6.4)	1.15 (2.92)
190190034	BB-8191	190190064	BB-8191T	BLUE	16-14	1.0-2.5	.205x.032 (5.21X0.8)	1.016 (0.4)	1.789 (20.04)	1.41 (10.4)	1.251 (6.38)	1.25 (3.18)	1.03 (2.62)	1.25 (6.4)	1.38 (3.51)
190190015	AA-8190-032	190190058	AA-8190-032T	RED	22-18	0.25-1.5	.205x.032 (5.21X0.8)	1.016 (0.4)	1.789 (20.04)	1.41 (10.4)	1.251 (6.38)	1.25 (3.18)	1.03 (2.62)	1.25 (6.4)	1.15 (2.92)
190190035	BB-8191-032	190190063	BB-8191-032T	BLUE	16-14	1.0-2.5	.205x.032 (5.21X0.8)	1.016 (0.4)	1.789 (20.04)	1.41 (10.4)	1.251 (6.38)	1.25 (3.18)	1.03 (2.62)	1.25 (6.4)	1.38 (3.51)
190190044	M-8136-032	190190045	M-8136-032T	YELLOW	26-24	0.1-0.3	.187x.032 (4.75X0.8)	1.016 (0.4)	1.694 (18.03)	1.31 (7.87)	1.238 (6.05)	1.25 (3.18)	1.03 (2.62)	1.25 (6.4)	1.072 (1.83)
190190008	AA-8137-032	190190009	AA-8137-032T	RED	22-18	0.25-1.5	.187x.032 (4.75X0.8)	1.016 (0.4)	1.789 (20.04)	1.41 (10.4)	1.238 (6.05)	1.25 (3.18)	1.03 (2.62)	1.25 (6.4)	1.15 (2.92)
190190028	BB-8138-032	190190029	BB-8138-032T	BLUE	16-14	1.0-2.5	.187x.032 (4.75X0.8)	1.016 (0.4)	1.789 (20.04)	1.41 (10.4)	1.238 (6.05)	1.25 (3.18)	1.03 (2.62)	1.25 (6.4)	1.38 (3.51)
190190049	P-8139-032	190190050	P-8139-032T	YELLOW	14-12	1.65-4.2	.187x.032 (4.75X0.8)	1.016 (0.4)	1.789 (20.04)	1.41 (10.4)	1.238 (6.05)	1.25 (3.18)	1.03 (2.62)	1.25 (6.4)	1.70 (4.32)
190190043	M-8136	190190046	M-8136T	YELLOW	26-24	0.1-0.3	.187x.020 (4.75X0.5)	1.016 (0.4)	1.694 (18.03)	1.31 (7.87)	1.238 (6.05)	1.25 (3.18)	0.86 (2.18)	1.25 (6.4)	1.072 (1.83)
190190006	AA-8137	190190011	AA-8137T	RED	22-18	0.25-1.5	.187x.020 (4.75X0.5)	1.016 (0.4)	1.789 (20.04)	1.41 (10.4)	1.238 (6.05)	1.25 (3.18)	0.86 (2.18)	1.25 (6.4)	1.15 (2.92)
190190027	BB-8138	190190030	BB-8138T	BLUE	16-14	1.0-2.5	.187x.020 (4.75X0.5)	1.016 (0.4)	1.789 (20.04)	1.41 (10.4)	1.238 (6.05)	1.25 (3.18)	0.86 (2.18)	1.25 (6.4)	1.38 (3.51)
190190048	P-8139	190190051	P-8139T	YELLOW	14-12	1.65-4.2	.187x.020 (4.75X0.5)	1.016 (0.4)	1.789 (20.04)	1.41 (10.4)	1.238 (6.05)	1.25 (3.18)	0.86 (2.18)	1.25 (6.4)	1.70 (4.32)
190190041	M-8133	190190042	M-8133T	YELLOW	26-24	0.1-0.3	.110x.032 (2.80X0.8)	1.012 (0.30)	1.694 (18.03)	1.31 (7.87)	1.163 (4.14)	1.210 (5.33)	0.80 (2.03)	1.25 (6.4)	1.072 (1.83)
190190004	AA-8134	190190005	AA-8134T	RED	22-18	0.25-1.5	.110x.032 (2.80X0.8)	1.012 (0.30)	1.789 (20.04)	1.41 (10.4)	1.163 (4.14)	1.210 (5.33)	0.80 (2.03)	1.25 (6.4)	1.15 (2.92)
190190025	BB-8135	190190026	BB-8135T	BLUE	16-14	1.0-2.5	.110x.032 (2.80X0.8)	1.012 (0.30)	1.789 (20.04)	1.41 (10.4)	1.163 (4.14)	1.210 (5.33)	0.80 (2.03)	1.25 (6.4)	1.38 (3.51)
190190039	M-8130	190190040	M-8130T	YELLOW	26-24	0.1-0.3	.110x.020 (2.80X0.8)	1.012 (0.30)	1.694 (18.03)	1.31 (7.87)	1.163 (4.14)	1.210 (5.33)	0.70 (1.78)	1.25 (6.4)	1.072 (1.83)
190190001	AA-8131	190190003	AA-8131T	RED	22-18	0.25-1.5	.110x.020 (2.80X0.8)	1.012 (0.30)	1.789 (20.04)	1.41 (10.4)	1.163 (4.14)	1.210 (5.33)	0.70 (1.78)	1.25 (6.4)	1.15 (2.92)
190190022	BB-8132	190190024	BB-8132T	BLUE	16-14	1.0-2.5	.110x.020 (2.80X0.8)	1.012 (0.30)	1.789 (20.04)	1.41 (10.4)	1.163 (4.14)	1.210 (5.33)	0.70 (1.78)	1.25 (6.4)	1.38 (3.51)



PARTS ON TAPE

- NOTES:
1. MATERIAL: BRASS
 2. FINISH: ELECTRO-TIN PLATING
 3. INSULATION: EXTRUDED NYLON
 - 4.*MWID=MAXIMUM WIRE INSULATION DIAMETER

DHD DIM'S EC NO. ETC2004-0154 DRWN: BRE 04/02/06 CHK: HEB 04/02/06 APPR: RWD 04/02/06	QUALITY SYMBOLS MAJOR $\nabla=0$ CRITICAL $\nabla c=0$	GENERAL TOLERANCES: (UNLESS SPECIFIED) 4 PLACES ±0. INCH 3 PLACES ±0. INCH 2 PLACES ±0.13 INCH 1 PLACE ±0.25 INCH	SCALE: NO: NE DESIGN UNITS: <input type="checkbox"/> mm <input checked="" type="checkbox"/> INCH THIRD ANGLE PROJECTION: <input checked="" type="checkbox"/> THIRD ANGLE	DIMENSIONS: <input type="checkbox"/> mm <input checked="" type="checkbox"/> INCH <input type="checkbox"/> mm ONLY SHT REV REVISE ON CAD ONLY
	DRAWN BY & DATE BRE 01/07/25	CHECKED BY & DATE HEB 01/07/25	APPROVED BY & DATE RWD 01/07/25	TITLE: QUICK DISCONNECT AVIKRIMP LOOSE PIECE & TAPE MOUNT
	CAD FILENAME SD-19019-001 .DGN	MATERIAL NO. SEE CHART	DRAWING NO. SD-19019-001	SHEET NO. 1 OF 1
	DRAFT WHERE APPLICABLE MUST REMAIN WITHIN DIMENSIONS			THIS DRAWING CONTAINS INFORMATION THAT IS PROPRIETARY TO MOLEX INCORPORATED AND SHOULD NOT BE USED WITHOUT WRITTEN PERMISSION.