

Distributed by:

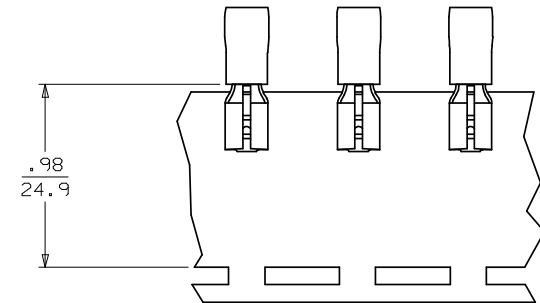
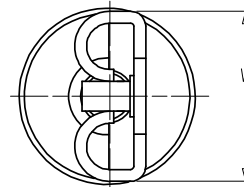
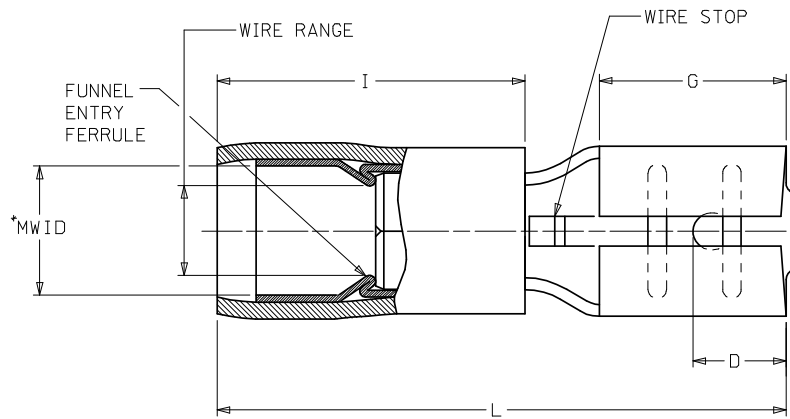
JAMECO[®]
ELECTRONICS

www.Jameco.com ♦ 1-800-831-4242

The content and copyrights of the attached
material are the property of its owner.

Jameco Part Number 1964071

LOOSE PIECE		TAPE MOUNTED		SPECIFICATIONS										
MATERIAL NUMBER	ENGINEERING NUMBER	MATERIAL NUMBER	ENGINEERING NUMBER	INS. COLOR	WIRE RANGE		FITS MALE TAB SIZE	STOCK THICKNESS	"L" MAX.	"I" MAX. (B1)	"W" MAX.	"D" ±.01	"G" NOM.	MWID
190190012	AA-8140	190190013	AA-8140T	RED	22-18	0.25-1.5	.250x.032 (6.35X0.81)	.016 (0.41)	.865 (21.97)	.43 (10.9)	.301 (7.65)	.156 (3.96)	.31 (7.9)	.115 (2.92)
190190031	BB-8141	190190033	BB-8141T	BLUE	16-14	1.0-2.5	.250x.032 (6.35X0.81)	.016 (0.41)	.865 (21.97)	.43 (10.9)	.301 (7.65)	.156 (3.96)	.31 (7.9)	.138 (3.51)
190190052	P-8142	190190054	P-8142T	YELLOW	14-12	1.65-4.2	.250x.032 (6.35X0.81)	.016 (0.41)	.865 (21.97)	.43 (10.9)	.301 (7.65)	.156 (3.96)	.31 (7.9)	.170 (4.32)
190190037	C-8143	190190038	C-8143T	YELLOW	10-12	4.0-6.0	.250x.032 (6.35X0.81)	.018 (0.46)	1.011 (25.68)	.57 (14.5)	.301 (7.65)	.156 (3.96)	.31 (7.9)	.225 (5.70)
190190014	AA-8190	190190016	AA-8190T	RED	22-18	0.25-1.5	.205x.020 (5.21X0.51)	.016 (0.41)	.789 (20.04)	.43 (10.9)	.251 (6.38)	.125 (3.18)	.25 (6.4)	.115 (2.92)
190190034	BB-8191	190190064	BB-8191T	BLUE	16-14	1.0-2.5	.205x.020 (5.21X0.51)	.016 (0.41)	.789 (20.04)	.43 (10.9)	.251 (6.38)	.125 (3.18)	.25 (6.4)	.138 (3.51)
190190015	AA-8190-032	190190058	AA-8190-032T	RED	22-18	0.25-1.5	.205x.032 (5.21X0.81)	.016 (0.41)	.789 (20.04)	.43 (10.9)	.251 (6.38)	.125 (3.18)	.25 (6.4)	.115 (2.92)
190190035	BB-8191-032	190190063	BB-8191-032T	BLUE	16-14	1.0-2.5	.205x.032 (5.21X0.81)	.016 (0.41)	.789 (20.04)	.43 (10.9)	.251 (6.38)	.125 (3.18)	.25 (6.4)	.138 (3.51)
190190044	M-8136-032	190190045	M-8136-032T	YELLOW	26-24	0.1-0.3	.187x.032 (4.75X0.81)	.016 (0.41)	.694 (18.03)	.31 (7.9)	.238 (6.05)	.125 (3.18)	.25 (6.4)	.072 (1.83)
190190008	AA-8137-032	190190009	AA-8137-032T	RED	22-18	0.25-1.5	.187x.032 (4.75X0.81)	.016 (0.41)	.789 (20.04)	.43 (10.9)	.238 (6.05)	.125 (3.18)	.25 (6.4)	.115 (2.92)
190190028	BB-8138-032	190190029	BB-8138-032T	BLUE	16-14	1.0-2.5	.187x.032 (4.75X0.81)	.016 (0.41)	.789 (20.04)	.43 (10.9)	.238 (6.05)	.125 (3.18)	.25 (6.4)	.138 (3.51)
190190049	P-8139-032	190190050	P-8139-032T	YELLOW	14-12	1.65-4.2	.187x.032 (4.75X0.81)	.016 (0.41)	.789 (20.04)	.43 (10.9)	.238 (6.05)	.125 (3.18)	.25 (6.4)	.170 (4.32)
190190043	M-8136	190190046	M-8136T	YELLOW	26-24	0.1-0.3	.187x.020 (4.75X0.51)	.016 (0.41)	.694 (18.03)	.31 (7.9)	.238 (6.05)	.125 (3.18)	.25 (6.4)	.072 (1.83)
190190006	AA-8137	190190011	AA-8137T	RED	22-18	0.25-1.5	.187x.020 (4.75X0.51)	.016 (0.41)	.789 (20.04)	.43 (10.9)	.238 (6.05)	.125 (3.18)	.25 (6.4)	.115 (2.92)
190190027	BB-8138	190190030	BB-8138T	BLUE	16-14	1.0-2.5	.187x.020 (4.75X0.51)	.016 (0.41)	.789 (20.04)	.43 (10.9)	.238 (6.05)	.125 (3.18)	.25 (6.4)	.138 (3.51)
190190048	P-8139	190190051	P-8139T	YELLOW	14-12	1.65-4.2	.187x.020 (4.75X0.51)	.016 (0.41)	.789 (20.04)	.43 (10.9)	.238 (6.05)	.125 (3.18)	.25 (6.4)	.170 (4.32)
190190041	M-8133	190190042	M-8133T	YELLOW	26-24	0.1-0.3	.110x.032 (2.80X0.81)	.012 (0.30)	.694 (18.03)	.31 (7.9)	.163 (4.14)	.210 (5.33)	.25 (6.4)	.072 (1.83)
190190004	AA-8134	190190005	AA-8134T	RED	22-18	0.25-1.5	.110x.032 (2.80X0.81)	.012 (0.30)	.789 (20.04)	.43 (10.9)	.163 (4.14)	.210 (5.33)	.25 (6.4)	.115 (2.92)
190190025	BB-8135	190190026	BB-8135T	BLUE	16-14	1.0-2.5	.110x.032 (2.80X0.81)	.012 (0.30)	.789 (20.04)	.43 (10.9)	.163 (4.14)	.210 (5.33)	.25 (6.4)	.138 (3.51)
190190039	M-8130	190190040	M-8130T	YELLOW	26-24	0.1-0.3	.110x.020 (2.80X0.51)	.012 (0.30)	.694 (18.03)	.31 (7.9)	.163 (4.14)	.210 (5.33)	.25 (6.4)	.072 (1.83)
190190001	AA-8131	190190003	AA-8131T	RED	22-18	0.25-1.5	.110x.020 (2.80X0.51)	.012 (0.30)	.789 (20.04)	.43 (10.9)	.163 (4.14)	.210 (5.33)	.25 (6.4)	.115 (2.92)
190190022	BB-8132	190190024	BB-8132T	BLUE	16-14	1.0-2.5	.110x.020 (2.80X0.51)	.012 (0.30)	.789 (20.04)	.43 (10.9)	.163 (4.14)	.210 (5.33)	.25 (6.4)	.138 (3.51)



PARTS ON TAPE

- NOTES:
 1. MATERIAL: BRASS
 2. FINISH: ELECTRO-TIN PLATING
 3. INSULATION: EXTRUDED NYLON
 4. *MWID=MAXIMUM WIRE INSULATION DIAMETER

FIX TEXT, CORRECT *DIM EC. NO: WNA 2008-0012 DRAWN: THRODAHL 2008/02/24 CHKD: JMACNEIL 2008/03/03 APPR: JMACNEIL 2008/03/03	QUALITY SYMBOLS	GENERAL TOLERANCES (UNLESS SPECIFIED)	DIMENSION STYLE	SCALE	DESIGN UNITS	THIRD ANGLE PROJECTION
	$\nabla=0$ $\nabla=0$	mm INCH 4 PLACES ± --- ± --- 3 PLACES ± --- ± .005 2 PLACES ± 0.13 ± .01 1 PLACE ± 0.25 ± --- ANGULAR ± ---°	IN/MM	---	INCH	
			DRAWN BY	DATE	TITLE	
			CHECKED BY	DATE	QUICK DISCONNECT AVIKRIMP LOOSE PIECE & TAPE MOUNT	
			APPROVED BY	DATE	MOLEX MOLEX INCORPORATED	
			RWD	2001/07/25	DOCUMENT NO.	SHEET NO.
		DRAFT WHERE APPLICABLE MUST REMAIN WITHIN DIMENSIONS	SEE CHART	SD-19019-001		1 OF 1
			SIZE	THIS DRAWING CONTAINS INFORMATION THAT IS PROPRIETARY TO MOLEX INCORPORATED AND SHOULD NOT BE USED WITHOUT WRITTEN PERMISSION		