

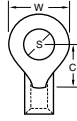
Distributed by:

JAMECO[®]
ELECTRONICS

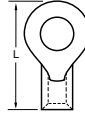
www.Jameco.com ♦ 1-800-831-4242

The content and copyrights of the attached
material are the property of its owner.

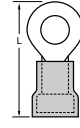
Jameco Part Number 743138



Material: Copper



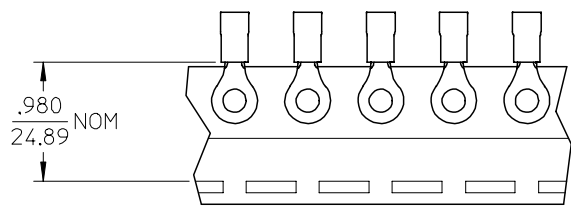
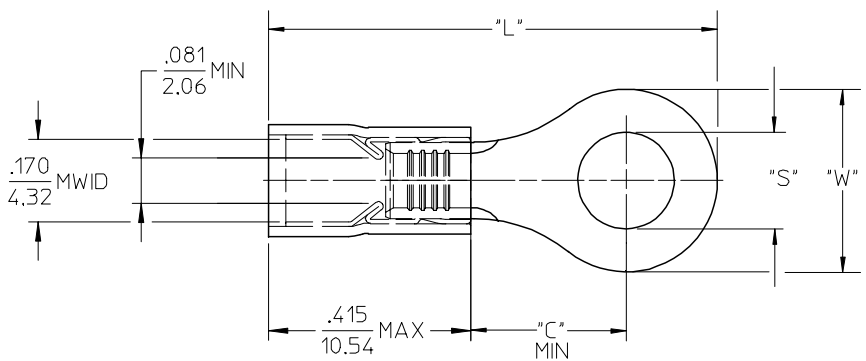
Versakrimp®



Avikrimp®
(Nylon Insulation)

Wire Range AWG	Stud Size S	Max. Width W	Min. Clearance C	Loose Piece Order No.	Mylar Tape Order No.	Max. Length L	Loose Piece Order No.	Mylar Tape Order No.	Max. Length L	
18-22 (0.80-0.35)	1-2 (2)	6.00 (.235)	3.90 (.157)				19073-0005	19073-0006	18.00 (.709)	
	3-4 (2.6)	5.00 (.197)	4.40 (.173)				19073-0003	19073-0004	18.20 (.715)	
		6.00 (.235)	3.90 (.157)	19193-0007	19193-0008	12.30 (.484)	19073-0007	19073-0008	18.00 (.709)	
		6.70 (.264)	6.10 (.240)				19073-0036	19073-0037	20.50 (.807)	
	5-6 (3-3.5)	6.00 (.235)	3.90 (.157)	19193-0009	19193-0011	12.30 (.484)	19073-0009	19073-0010	18.00 (.709)	
		6.70 (.264)	6.10 (.240)	19193-0034	19193-0035	14.80 (.582)	19073-0038	19073-0040	20.50 (.807)	
		8.20 (.322)	7.60 (.300)	19193-0012	19193-0013	17.00 (.671)	19073-0011	19073-0012	22.80 (.896)	
		6.70 (.264)	6.10 (.240)	19193-0036	19193-0037	14.80 (.582)	19073-0042	19073-0043	20.50 (.807)	
	8 (4)	8.20 (.322)	7.60 (.300)	19193-0014	19193-0015	17.00 (.671)	19073-0013	19073-0015	22.80 (.896)	
		7.20 (.283)	6.10 (.240)	19193-0041	19193-0042	15.00 (.591)	19073-0049	19073-0050	20.70 (.816)	
		8.20 (.322)	7.60 (.300)	19193-0016	19193-0017	17.00 (.671)	19073-0017	19073-0019	22.80 (.896)	
	10 (-)	12.10 (.477)	9.80 (.386)	19193-0021	19193-0022	21.20 (.835)	19073-0024	19073-0026	26.90 (1.060)	
		12.10 (.477)	9.80 (.386)	19193-0023	19193-0024	21.20 (.835)	19073-0027	19073-0028	26.90 (1.060)	
		13.80 (.544)	14.00 (.552)				19073-0032	19073-0033	31.90 (1.259)	
1-2 (2)		6.60 (.260)	5.30 (.209)	19193-0062	19193-0063	14.20 (.560)				
3-4 (2.6)		6.00 (.260)	5.30 (.209)				19073-0065	19073-0066	22.30 (.880)	
14-16 (2.00-1.30)	5-6 (3-3.5)	6.60 (.260)	5.30 (.209)				19073-0067	19073-0070	22.30 (.880)	
		8.20 (.322)	7.00 (.275)	19193-0078	19193-0079	16.30 (.640)	19073-0083	19073-0084	22.30 (.880)	
		6.60 (.260)	5.30 (.209)				19073-0072	19073-0073	22.30 (.880)	
	8 (4)	8.20 (.322)	7.00 (.275)	19193-0080	19193-0081	16.30 (.640)	19073-0085	19073-0086	22.30 (.880)	
		8.90 (.352)	7.90 (.310)	19193-0089	19193-0090	17.70 (.696)	19073-0094	19073-0096	23.80 (.936)	
		8.20 (.322)	7.00 (.275)	19193-0082	19193-0083	16.30 (.640)	19073-0087	19073-0088	22.30 (.880)	
	10 (-)	8.90 (.352)	7.90 (.310)	19193-0091	19193-0092	17.70 (.696)	19073-0097	19073-0099	23.80 (.936)	
		12.10 (.477)	9.90 (.388)				19073-0074	19073-0075	27.40 (1.077)	
		12.10 (.477)	9.90 (.388)	19193-0072	19193-0073	21.20 (.837)	19073-0076	19073-0077	27.40 (1.077)	
	5/16 (8)	12.10 (.477)	9.90 (.388)	19193-0074	19193-0075	21.20 (.837)	19073-0079	19073-0080	27.40 (1.077)	
		13.80 (.544)	13.60 (.535)				19073-0061	19073-0062	31.80 (1.250)	
		13.80 (.544)	13.60 (.535)	19193-0057	19193-0058	25.70 (1.010)	19073-0059	19073-0060	31.80 (1.250)	
	14-16 (2.00-1.30) Heavy Duty (Also suitable for 12 AWG)	8 (4)	9.80 (.385)	7.70 (.303)				19058-0041		27.70 (1.091)
			9.80 (.385)	7.70 (.303)				19058-0047	19058-0050	27.70 (1.091)
13.70 (.540)			10.00 (.393)					19058-0060	32.00 (1.258)	
1/4 (6)		13.70 (.540)	10.00 (.393)				19058-0063	19058-0068	32.00 (1.258)	
5/16 (8)		13.70 (.540)	10.00 (.393)				19058-0072	19058-0077	32.00 (1.258)	
3/8 (9)		15.20 (.598)	11.80 (.466)				19058-0117	19058-0119	34.60 (1.362)	
7/16 (11)		19.30 (.760)	15.50 (.611)				19058-0026		40.30 (1.586)	
1/2 (12)		19.30 (.760)	15.50 (.611)				19058-0016		40.30 (1.586)	

MATERIAL NUMBER	ENG. NO.	MATERIAL NUMBER TAPE MOUNTED	ENG. NO.	STUD SIZE	"S" ±.005	"W" MAX	"C" MIN	"L" MAX
190730081	BB-837-04	-----	-----	04	.119 (3.02)	.322 (8.18)	.285 (7.24)	.885 (22.48)
190730083	BB-837-06	190730084	BB-837-06T	06	.146 (3.71)			
190730085	BB-837-08	190730086	BB-837-08T	08	.173 (4.39)			
190730087	BB-837-10	190730088	BB-823-10T	10	.198 (5.03)			
190730302	BB-839-06	190730093	BB-839-06T	06	.146 (3.71)	.352 (8.94)	.310 (7.87)	.936 (23.77)
190730094	BB-839-08	190730096	BB-839-08T	08	.173 (4.39)			
190730097	BB-839-10	190730099	BB-839-10T	10	.198 (5.03)			



SALES DRAWING

- NOTES:
1. MATERIAL: COPPER (.031/0.79) THICK
PLATING: ELECTROPLATE TIN
 2. FERRULE: TIN-PLATED BRASS
 3. INSULATION: BLUE NYLON
 4. MWID=MAXIMUM WIRE INSULATION DIA.
 5. ALL DIMENSIONS IN INCHES (MM).
 6. WIRE SIZE: 16-14 AWG
1.0-2.5 MM²

EC NO: ETC2004-0123 DRWN:DMYRICK 2004/01/05 CHKD:SBEITZEL 2004/01/05 APPR:RDEROSS 2004/01/06	QUALITY SYMBOLS	GENERAL TOLERANCES (UNLESS SPECIFIED)		SCALE 4:1	DESIGN UNITS INCH	THIRD ANGLE PROJECTION	REVISE ON CAD ONLY			
	DESCRIPTION ▼ = 0 ▽ = 0		mm	INCH	DIMENSION STYLE IN/MM		TITLE	RING TONGUE TERMINAL AVIKRIMP, 800-SERIES 16-14 AWG		
		4 PLACES	± ---	± ---	DRAWN BY DMYRICK	DATE 03/12/15				
		3 PLACES	± ---	± .005	CHECKED BY SBEITZEL	DATE 03/12/15				
2 PLACES	± 0.13	± .01	ANGULAR ± 1 °		APPROVED BY RDEROSS	DATE 03/12/15	MATERIAL NO. SEE CHART	DOCUMENT NO. SD-19073-006	SHEET NO. 1 OF 1	
1 PLACE	± 0.25	± ---	DRAFT WHERE APPLICABLE		MOLEX INCORPORATED THIS DRAWING CONTAINS INFORMATION THAT IS PROPRIETARY TO MOLEX INCORPORATED AND SHOULD NOT BE USED WITHOUT WRITTEN PERMISSION					
		MUST REMAIN WITHIN DIMENSIONS								