

PLEASE CHECK WWW.MOLEX.COM FOR LATEST PART INFORMATION

Part Number: [19-09-1026](#)
Status: **Active**
Overview: Standard .093" Pin and Socket Connectors
Description: 2.36mm Diameter Standard .093" Pin and Socket Receptacle Housing with Positive Latch, UL 94V-0, 2 Circuits

Documents:

[3D Model](#) [Product Specification PS-42477 \(PDF\)](#)
[Drawing \(PDF\)](#) [RoHS Certificate of Compliance \(PDF\)](#)

Agency Certification

CSA LR19980
TUV R72081037
UL E29179

General

Product Family Crimp Housings
Series [3191](#)
Application Power, Wire-to-Board, Wire-to-Wire
Comments Polarized to Mating Part, without Mounting Ears
Overview [Standard .093" Pin and Socket Connectors](#)
Product Name Standard .093"
UPC 800753690233

Physical

Breakaway No
Circuits (maximum) 2
Color - Resin Natural
Flammability 94V-0
Gender Receptacle
Glow-Wire Compliant No
Keying to Mating Part None
Lock to Mating Part Yes
Material - Resin Nylon
Net Weight 2.182/g
Number of Rows 1
Packaging Type Bag
Panel Mount No
Pitch - Mating Interface 6.70mm
Polarized to Mating Part Yes
Stackable No
Temperature Range - Operating -40°C to +105°C

Electrical

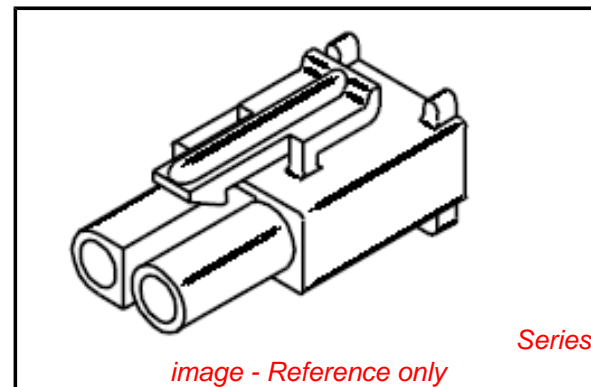
Current - Maximum per Contact 12A

Material Info

Old Part Number 3191-2R1-201

Reference - Drawing Numbers

Product Specification PS-42477
Sales Drawing SD-3191-2*



EU RoHS

ELV and RoHS Compliant
REACH SVHC Contains SVHC: No
Low-Halogen Status Low-Halogen

China RoHS



Need more information on product environmental compliance?

Email productcompliance@molex.com
For a multiple part number RoHS Certificate of Compliance, [click here](#)

Please visit the [Contact Us](#) section for any non-product compliance questions.

Search Parts in this Series

[3191Series](#)

Mates With

[19-09-2026](#) , [19-09-2027](#) , [19-09-2028](#) , [19-09-2029](#) , [5219](#)

Use With

[1189](#) Crimp Terminals, [1190](#) Crimp Terminals, [1380](#) Male Crimp Terminals, [1381](#) Female Crimp Terminals, [1433](#) Crimp Terminals, [1434](#) Male Crimp Terminals, [2605](#) , [2606](#) , [1973](#) , [2151](#) , [2273](#) , [2870](#) , [2871](#) , [4272](#)