

PLUG

| | | | | |
|------|-----|------|------|---|
| M | 3 | M | | |
| J | 2 | J | | |
| M | 1 | MI | | |
| MFG. | SH. | REV. | LTR. | REVISIONS |
| | | | | ADD RAMP LENGTH ECN #U4 0293 3-1-94 RW |
| | | | | REVISED PER ECR # U90659 KBW 07-25-89 RW |
| | | | | ADDED STANDOFFS PER ECR U8 2271 GEP 11-30-88 RW |
| | | | | REV. & FINAL REL. ECR U8 1710 GEP 7-14-88 RW |
| | | | | REVISED & REDRAWN PER ECR U8 0122 2-2-88 SCHAFFER |

| | |
|--|---------------|
| DIMENSIONS SHOWN (METRIC) INCH | |
| UNLESS OTHERWISE SPECIFIED TOLERANCES: ANGULAR ± 10° | |
| 3 PLACE | ± .010 --- |
| 2 PLACE | ± .014 ± 0.25 |
| 1 PLACE | --- ± 0.36 |
| DRAFT WHERE APPLICABLE MUST REMAIN WITHIN DIMENSIONS | |

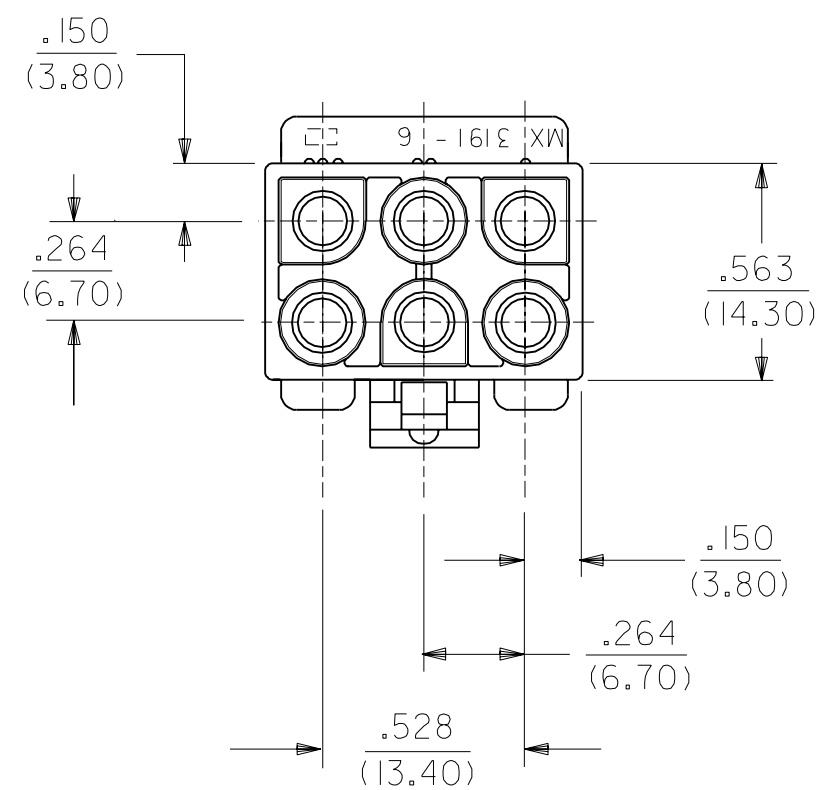
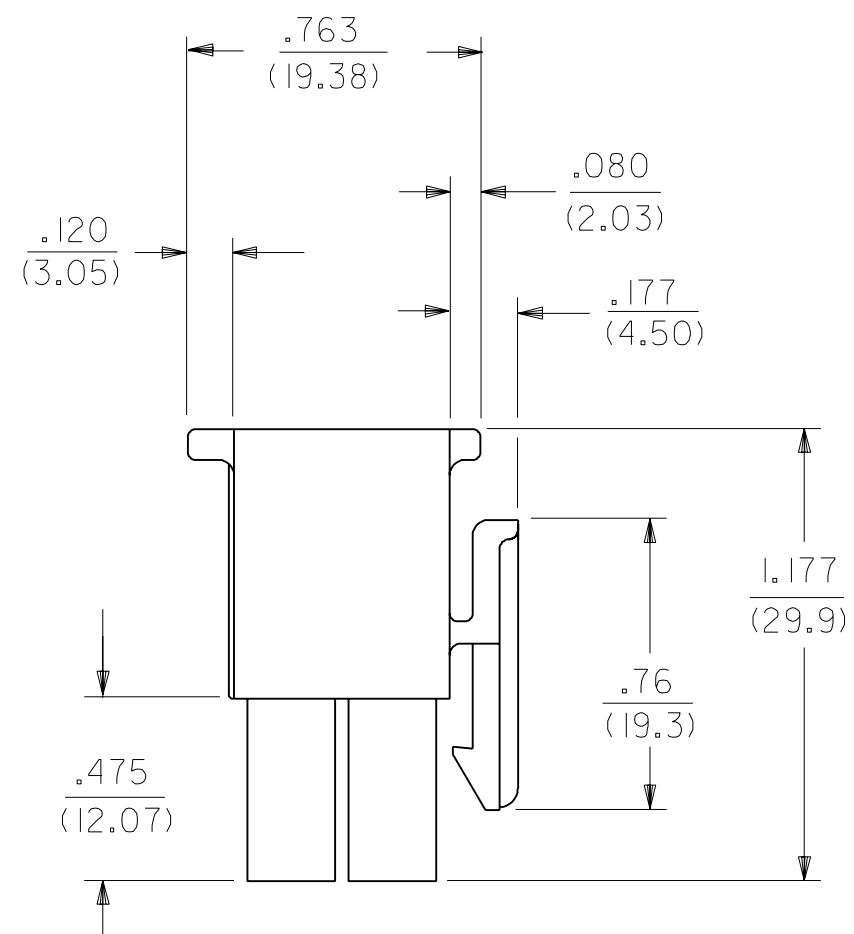
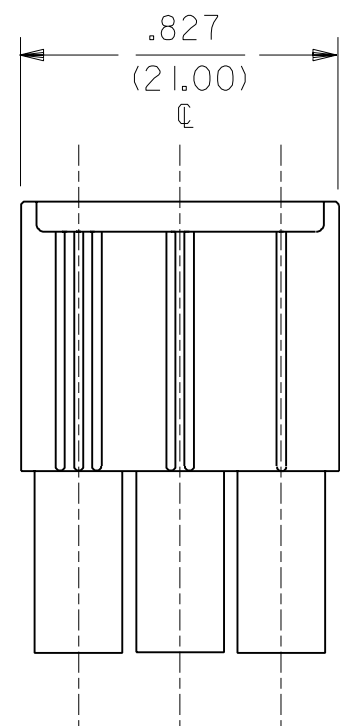
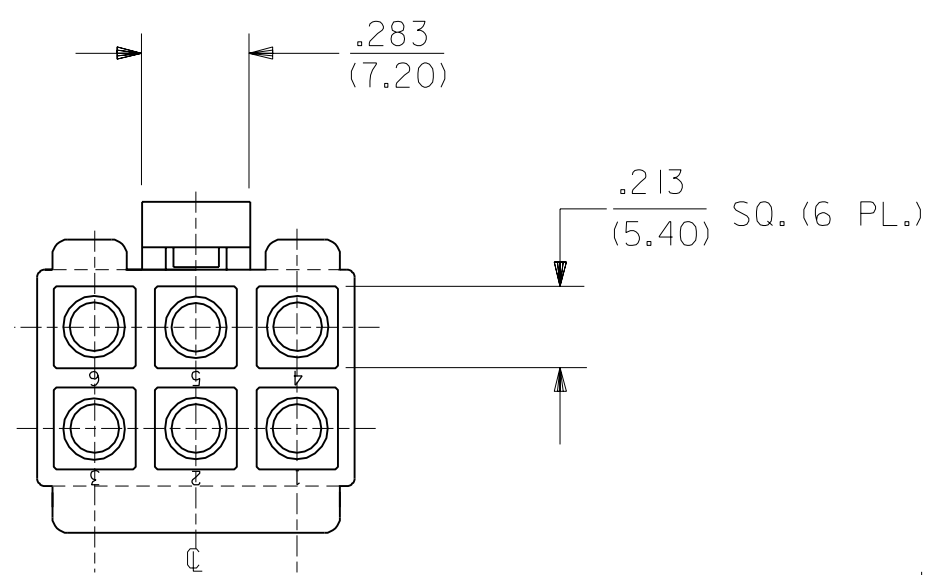
| | | |
|---|-------|----------------------------------|
| ▽ = 0 | ▼ = 0 | REVISE ONLY ON CAD SYSTEM |
| TITLE .093/(2.36) HOUSING PLUG AND RECEPTACLE 6 CKT. .264/(6.70) CTRS. | | |
| MOLEX INCORPORATED LITSE, ILL. 60532 U.S.A. | | SHEET NO. 1 OF 3 DATE 1/25/88 |
| PART NO. SEE CHART | | DRWG. NO. SD-3191-6* |

| | |
|----------------|---------------|
| DRWG. BY: JUS | CHK'D. BY: RW |
| APP'D. BY: RAS | SCALE: 2 : 1 |

| | | | |
|-------------------------|--|---------|--------|
| FILE NAME: S31916X1 DGN | THIS DRAWING CONTAINS INFORMATION THAT IS PROPRIETARY TO MOLEX INC. AND SHOULD NOT BE USED WITHOUT WRITTEN PERMISSION. | DIV. CP | SIZE C |
|-------------------------|--|---------|--------|

13 12 11 10 9 8 7 6 3191 4 3 2 1

J
I
H
G
F
E
D
C
B
A



RECEPTACLE

DIMENSIONS SHOWN (METRIC) INCH

UNLESS OTHERWISE SPECIFIED TOLERANCES: ANGULAR ± 10°

| | INCH | METRIC |
|---------|--------|--------|
| 3 PLACE | ± .010 | --- |
| 2 PLACE | ± .014 | ± 0.25 |
| 1 PLACE | --- | ± 0.36 |

DRAFT WHERE APPLICABLE MUST REMAIN WITHIN DIMENSIONS

▽ = ▼ = REVISE ONLY ON CAD SYSTEM

TITLE
 .093/(2.36) HOUSING
 PLUG AND RECEPTACLE
 6 CIRCUIT, .264/(6.70)CTRS

MOLEX INCORPORATED SHEET NO. 2 DATE 1/22/88
 LISLE, ILL. 60532 U.S.A.

SEE SHEET 3 SD-3191-6*

| LTR. | REVISIONS | LTR. | REVISIONS |
|------|-----------|------|-----------|
| | | J | SEE SHT 1 |

DRWG. BY JJS CHK'D. BY RW
 APP'D. BY RAS SCALE 2:1

THIS DRAWING CONTAINS INFORMATION THAT IS PROPRIETARY TO MOLEX INC. AND SHOULD NOT BE USED WITHOUT WRITTEN PERMISSION.

13 12 11 10 9 8 7 6 5 4 3 2 1

