

Distributed by:

JAMECO[®]
ELECTRONICS

www.Jameco.com ♦ 1-800-831-4242

The content and copyrights of the attached
material are the property of its owner.

Jameco Part Number 743197

FEATURES AND SPECIFICATIONS

Features and Benefits

- Positive lock
- Fully isolated terminals
- Polarized housing assures proper mating
- Male and female terminals may be used in receptacle housing

Reference Information

Packaging: Bag
 UL File No.: E29179
 CSA File No.: LR19980
 TUV License No.: R75107
 Mates With: [5219](#) header and [3191](#) plug
 Use With: Standard .093" terminal
 Designed In: Inches

Electrical

Voltage: 600V
 Current: 12.0A max.*
 Dielectric Withstanding Voltage: 5000V AC rms

Mechanical

Contact Retention to Housing: 20 lb min.

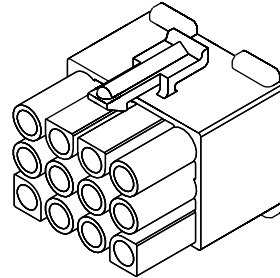
Physical

Housing: Nylon, UL 94V-0 or 94V-2
 Operating Temperature: -40 to +105°C

* Depending on circuit size and wire gauge; please refer to product specifications

molex® 6.71 mm (.264") Pitch .093" Pin and Socket Receptacle

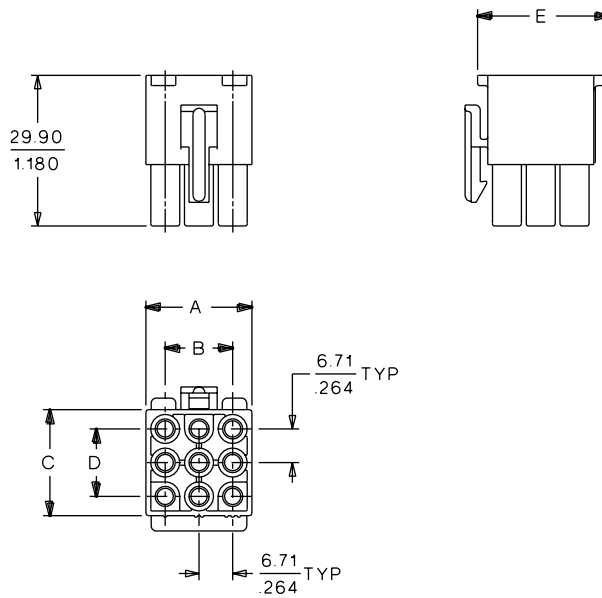
3191



Power Connectors

F

CATALOG DRAWING (FOR REFERENCE ONLY)

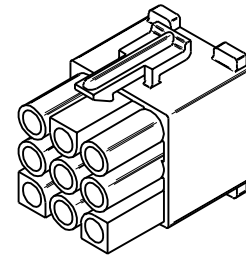
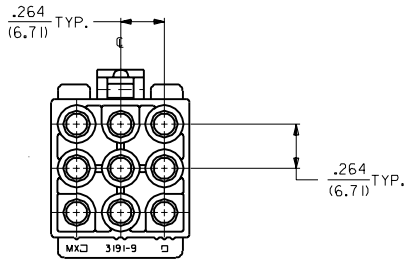
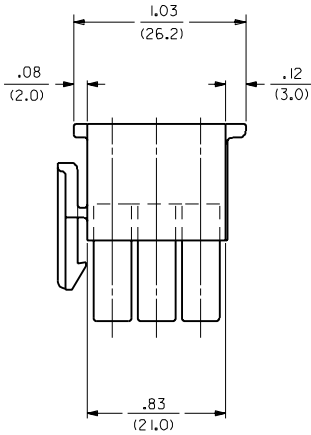
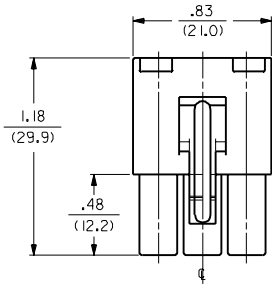
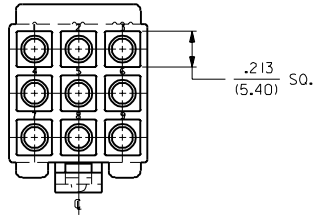


ORDERING INFORMATION AND DIMENSIONS

Circuits	Order No.		Amperes per Circuit	Dimension				
	94V-2	94V-0		A	B	C	D	E
1	• 19-09-1019	• 19-09-1016	12	7.60 (.300)		7.60 (.300)		10.62 (.418)
2	• 19-09-1029	• 19-09-1026	12	14.30 (.560)	6.71 (.264)	7.60 (.300)		12.70 (.500)
3	• 19-09-1039	• 19-09-1036	11	21.00 (.830)	13.42 (.528)	7.60 (.300)		12.70 (.500)
4	• 19-09-1049	• 19-09-1046	9	27.70 (1.090)	20.13 (.792)	7.60 (.300)		12.70 (.500)
6	• 19-09-1069	• 19-09-1066	9	21.00 (.830)	13.42 (.528)	14.30 (.560)	6.71 (.264)	19.38 (.763)
9	• 19-09-1099	• 19-09-1096	9	21.00 (.830)	13.42 (.528)	21.00 (.830)	13.42 (.528)	26.20 (1.030)
12	• 19-09-1129	• 19-09-1126	9	27.70 (1.090)	20.13 (.792)	21.00 (.830)	13.42 (.528)	26.20 (1.030)
15	• 19-09-1159	• 19-09-1156	9	34.40 (1.350)	26.84 (1.056)	21.00 (.830)	13.42 (.528)	26.20 (1.030)

• US Standard Product, available through Molex franchised distributors

13 12 11 10 9 8 7 6 3191 4 3 2 1



RECEPTACLE

DIMENSIONS SHOWN METRIC (INCH)

UNLESS OTHERWISE SPECIFIED TOLERANCES: ANGULAR ± .005° TO

	INCH	METRIC
3 PLACE	± .010	---
2 PLACE	± .014	± 0.25
1 PLACE	---	± 0.35

DRAFT WHERE APPLICABLE MUST REMAIN WITHIN DIMENSIONS

DRWG. BY: RAS
APP'D. BY: RAS

REVISIONS ONLY ON CAD SYSTEM

TITLE: .093/(2.36) HOUSING, PLUG AND RECEPTACLE, 9 CKT., .264/(6.70) CTRS.

MOLEX INCORPORATED
LITSEJLL. 60532 U.S.A.

SEE CHART

DRWG. NO. SD-3191-9

FILE NAME: 531919X2.DGN

SHEET NO. 2 DATE 8/2/89

DIV. CP SIZE

LTR.	REVISIONS	LTR.	REVISIONS
		J	SEE SHT. 1

13 12 11 10 9 8 7 6 5 4 3 2 1

PLUG		RECEPTACLE	
PART NO.	ENG. NO.	PART NO.	ENG. NO.
19-09-2098	3191-9P	19-09-1099	3191-9R1
19-09-2099	3191-9P1	19-09-1096	3191-9R1-201
19-09-2097	3191-9P-201		
19-09-2096	3191-9P1-201		

LEGEND:

3191-9****-*

CIRCUIT SIZE

P = PLUG

R = RECEPTACLE

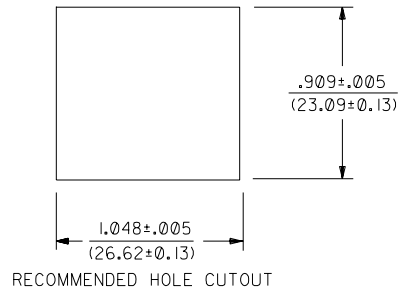
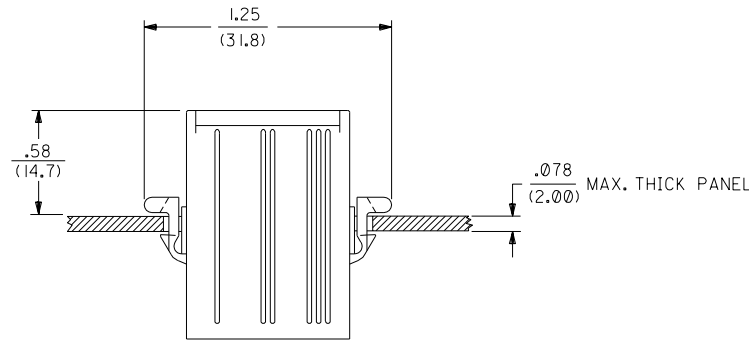
EARS: BLANK = WITH PREBENT EARS (PLUG ONLY)

I = WITHOUT EARS

COLOR: BLANK = NATURAL COLOR

AM=AMBER BK=BLACK BU=BLUE
 BN=BROWN GY=GRAY GN=GREEN
 OR=ORANGE RD=RED YW=YELLOW
 COLORS AVAILABLE ONLY IN 94V-2 MATERIAL

MATERIAL: BLANK=NYLON TYPE 6/6, 94V-2
 201=NYLON TYPE 6/6, 94V-0



NOTES:

I. THESE HOUSINGS FOR USE WITH MOLEX .093/(2.36) DIAMETER SERIES TERMINALS.

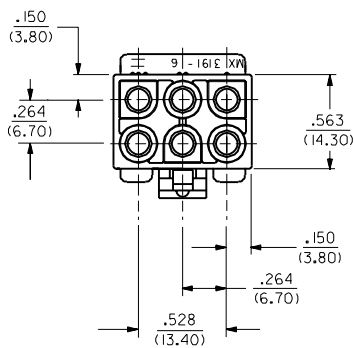
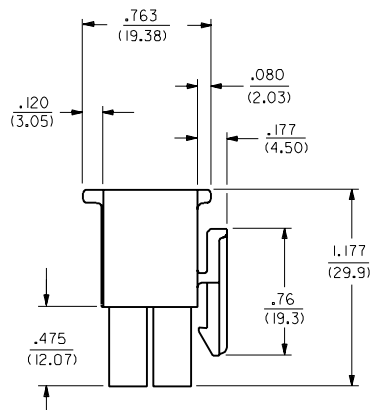
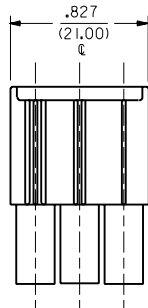
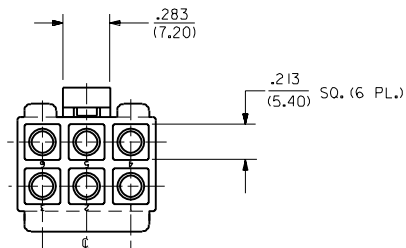
DIMENSIONS SHOWN (METRIC) INCH	
UNLESS OTHERWISE SPECIFIED TOLERANCES: ANGULAR ± .04° 10	
5 PLACE ± .010	---
2 PLACE ± .014	± 0.25
1 PLACE ---	± 0.35
DRAFT WHERE APPLICABLE MUST REMAIN WITHIN DIMENSIONS	
DRWG. BY: GEP	CHK'D. BY: RW
APP'D. BY: RAS	SCALE: --:--

▽ =	▼ =	REVISE ONLY ON CAD SYSTEM
TITLE: .093/(2.36) HOUSINGS PLUG AND RECEPTACLE 9 CKT., .264/(6.70) CTRS.		
FROM: MOLEX INCORPORATED L15E,ILL. 60532 U.S.A.	SHEET NO. 3	DATE 8/2/89
PART NO. SEE CHART	DRWG. NO. SD-3191-9*	
FILE NAME 531919X3 03	THIS DRAWING CONTAINS INFORMATION THAT IS PROPRIETARY TO MOLEX INC. AND SHOULD NOT BE USED WITHOUT WRITTEN PERMISSION.	
DRG. NO. CP	SIZE C	

LTR.	REVISIONS	LTR.	REVISIONS
		J	SEE SHT. I

3191

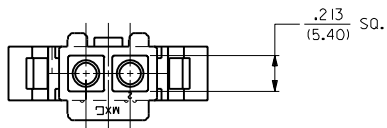
NO P.S.1



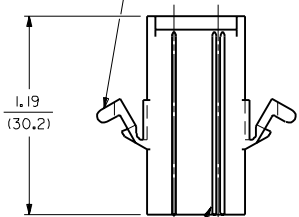
RECEPTACLE

DIMENSIONS SHOWN METRIC (INCH)		UNLESS OTHERWISE SPECIFIED TOLERANCES: ANGULAR ± .010		REVISIONS	
INCH	METRIC	FILE NO.	TITLE	SHEET NO.	DATE
3 PLACE ± .010	---	SEE SHEET 3	.093/(2.36) HOUSING PLUG AND RECEPTACLE 6 CIRCUIT, .264/(6.70)CTRS	2	1/22/88
2 PLACE ± .014	± 0.25	MOLEX INCORPORATED		DIV.	
1 PLACE ---	± 0.36	LITSE,ILL. 60532 U.S.A.		SIZE	
DRAFT WHERE APPLICABLE MUST REMAIN WITHIN DIMENSIONS		PART NO. SD-3191-6		C	
DRW. BY JJS	CHKD. BY RW	THIS DRAWING CONTAINS INFORMATION THAT IS PROPRIETARY TO MOLEX INC. AND SHOULD NOT BE USED WITHOUT WRITTEN PERMISSION.		SCALE 2:1	
APP'D. BY RAS	SCALE 2:1				

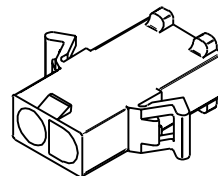
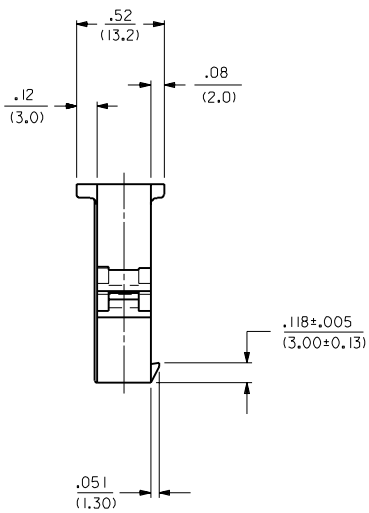
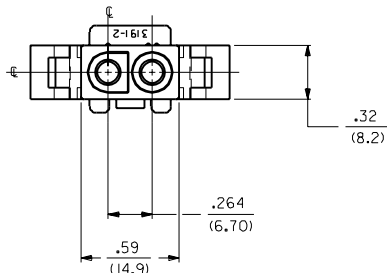
LTR.	REVISIONS	LTR.	REVISIONS
		J	SEE SHT 1



PREBENT MOUNTING EAR
(WHEN SPECIFIED)



CIRCUIT NUMBER
IDENTIFICATION RIBS



PLUG

3	E2	
2	D	
1	E4	
<input checked="" type="checkbox"/>	SH.	REV. LTR. REVISIONS

REVISIONS

E4	REVISED UCR 98-0148 WANG 98-04-15
E3	ADD RAMP DIM'S ECN #U4 0293 3-1-94 RW
E2	X-REMOVE ECR U3 0001 GC 12/30/92 RW
E1	REL. RED VERSIONS ECR U1 2167 GC 1/24/92 RW
E	REV. MATL. CODE ECR # U90901 KBW 01-25-89 RW
D	REV. & REDRAWN ECR UB 1858 GEP 11-21-88 RW

**PLUG AND RECEPTACLE,
2 CKT ± .264/(6.70) CTRS.**

MOLEX INCORPORATED LITTLE ROCK, ARK. U.S.A.

FILE NAME: S31912X1.DWG
SCALE: 2 : 1

DATE: 11/21/88
SHEET NO.: 1 OF 3

SEE CHART SD-3191-2*

NO P.S. 1

13 12 11 10 9 8 7 6 3191 4 3 2 1

PLUG		RECEPTACLE	
PART NO.	ENG. NO.	PART NO.	ENG. NO.
19-09-2028	3191-2P	19-09-1029	3191-2R1
19-09-2029	3191-2P1	19-09-1026	3191-2R1-201
19-09-2027	3191-2P-201	19-09-1020	3191-2R IRD
19-09-2026	3191-2P1-201	19-09-1021	3191-2R IBU
19-09-2020	3191-2P IRD		
19-09-2021	3191-2P IBU		

LEGEND:
 3191-2****-*

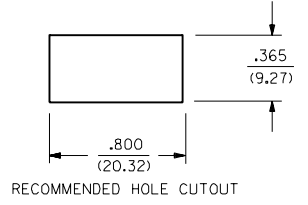
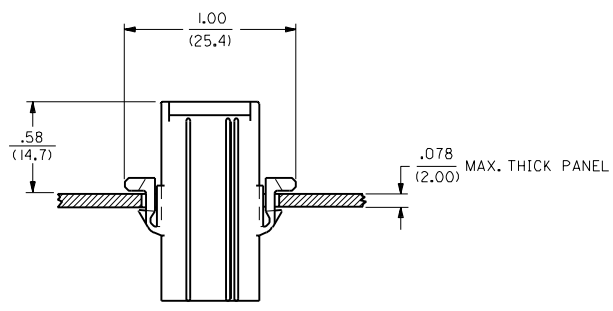
CIRCUIT SIZE

P = PLUG
 R = RECEPTACLE

EARS: BLANK = WITH PREBENT EARS (PLUG ONLY)
 I = WITHOUT EARS

COLOR: BLANK = NATURAL COLOR
 AM=AMBER BK=BLACK BU=BLUE
 BN=BROWN GY=GRAY GN=GREEN
 OR=ORANGE RD=RED YW=YELLOW

MATERIAL: BLANK=NYLON TYPE 6/6, 94V-2
 201=NYLON TYPE 6/6, 94V-0



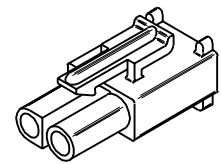
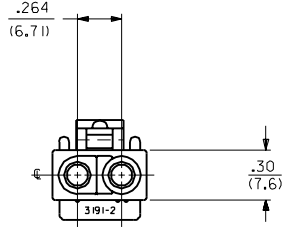
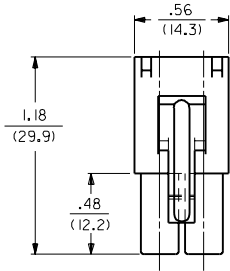
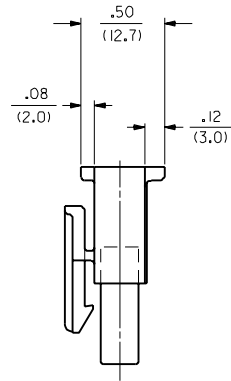
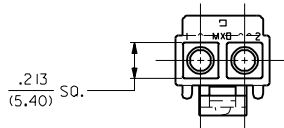
NOTES:
 1. THESE HOUSINGS FOR USE WITH MOLEX .093/(2.36) DIAMETER SERIES TERMINALS.

J
I
H
G
F
D
C
B
A

3191

DIMENSIONS SHOWN (METRIC) INCH UNLESS OTHERWISE SPECIFIED TOLERANCES: ANGLES .01°		▽=0 ▼=0	REVISE ONLY ON CAD SYSTEM
INCH METRIC		TITLE .093/(2.36) HOUSINGS PLUG AND RECEPTACLE 2 CKT., .264/(6.70) CTRS.	
3 PLACE ± .010 ---		MOLEX INCORPORATED LITTLE ROCK, AR 60532 U.S.A.	
2 PLACE ± .014 ± 0.25		SHEET NO. 3 DATE 11/21/88	
1 PLACE --- ± 0.35		PART NO. SD-3191-2*	
DRAFT WHERE APPLICABLE MUST REMAIN WITHIN DIMENSIONS		SEE CHART	
DRWG. BY: CEP	CHK'D. BY: RW	FILE NAME: 531912X3.DGN	
APP'D. BY: RAS	SCALE: --:--	THIS DRAWING CONTAINS INFORMATION THAT IS PROPRIETARY TO MOLEX INC. AND SHOULD NOT BE USED WITHOUT WRITTEN PERMISSION.	

13 12 11 10 9 8 7 6 5 4 3 2 NO P.S. 1



RECEPTACLE

DIMENSIONS SHOWN METRIC (INCH)		REVISIONS	
UNLESS OTHERWISE SPECIFIED TOLERANCES: ANGULAR ± .005° TO		D	
INCH METRIC		SEE SHT. 1	
3 PLACE ± .010	---	LTR.	REVISIONS
2 PLACE ± .014	± 0.25	LTR.	REVISIONS
1 PLACE ---	± 0.35	LTR.	REVISIONS
DRAFT WHERE APPLICABLE MUST REMAIN WITHIN DIMENSIONS		LTR.	
DRAWN: GEP		DATE: 11/21/88	
BY: RAS		DIV: CP	
SCALE: 2:1		SIZE: CP	

TITLE		REVISIONS	
.093/(2.36) HOUSING, PLUG AND RECEPTACLE, 2 CKT., .264/(6.70) CTRS.		D	
PART NO.		DATE	
MOLEX INCORPORATED		11/21/88	
LITSEJLL 60532 U.S.A.		SHEET NO. 2	
SEE CHART		SD-3191-2*	
THIS DRAWING CONTAINS INFORMATION THAT IS PROPRIETARY TO MOLEX INC. AND SHOULD NOT BE USED WITHOUT WRITTEN PERMISSION.		NO P.S. 1	

13 12 11 10 9 8 7 6 3191 4 3 2 1

PLUG		RECEPTACLE	
PART NO.	ENG. NO.	PART NO.	ENG. NO.
19-09-2028	3191-2P	19-09-1029	3191-2R1
19-09-2029	3191-2P1	19-09-1026	3191-2R1-201
19-09-2027	3191-2P-201	19-09-1020	3191-2R IRD
19-09-2026	3191-2P1-201	19-09-1021	3191-2R IBU
19-09-2020	3191-2P IRD		
19-09-2021	3191-2P IBU		

LEGEND:

3191-2****-*

CIRCUIT SIZE

P = PLUG

R = RECEPTACLE

EARS: BLANK = WITH PREBENT EARS (PLUG ONLY)

I = WITHOUT EARS

COLOR: BLANK = NATURAL COLOR

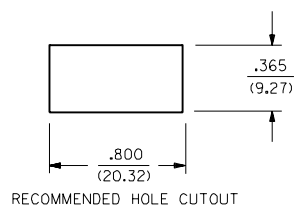
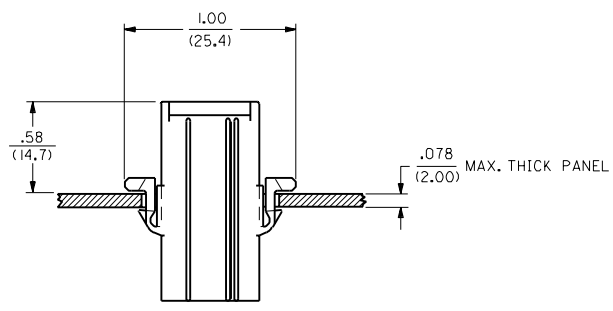
AM=AMBER BK=BLACK BU=BLUE

BN=BROWN GY=GRAY GN=GREEN

OR=ORANGE RD=RED YW=YELLOW

MATERIAL: BLANK=NYLON TYPE 6/6, 94V-2

201=NYLON TYPE 6/6, 94V-0



NOTES:

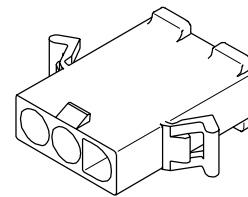
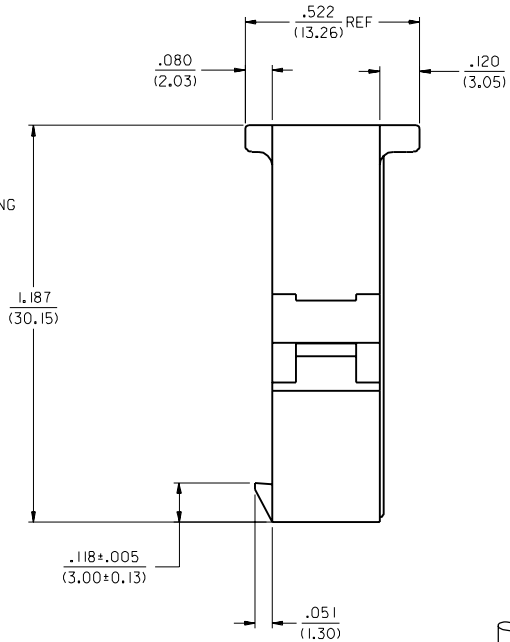
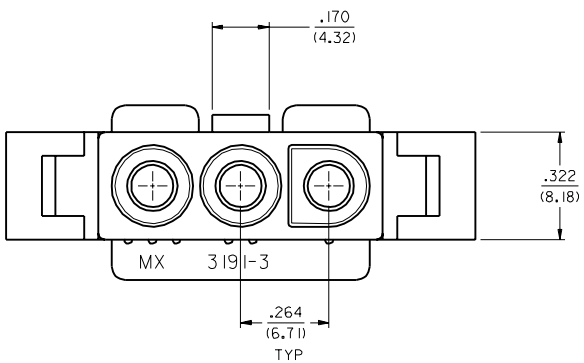
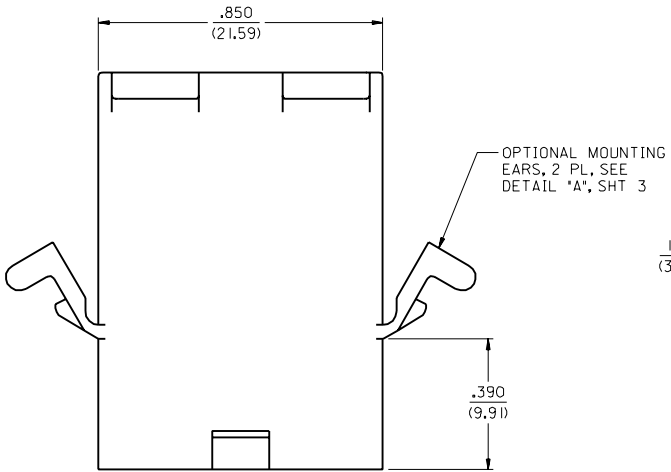
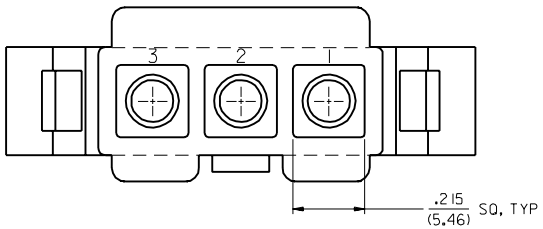
1. THESE HOUSINGS FOR USE WITH MOLEX .093/(2.36) DIAMETER SERIES TERMINALS.

J
I
H
G
F
E
D
C
B
A

3191

DIMENSIONS SHOWN (METRIC) INCH		▽=0 ▼=0		REVISE ONLY ON CAD SYSTEM	
UNLESS OTHERWISE SPECIFIED TOLERANCES: ANGLES .01°					
INCH		METRIC			
3 PLACE	± .010	---			
2 PLACE	± .014	± 0.25			
1 PLACE	---	± 0.35			
DRAFT WHERE APPLICABLE MUST REMAIN WITHIN DIMENSIONS					
DRWG. BY: CEP	CHK'D. BY: RW	FILE NAME: 531912X3		DATE: 11/21/88	
APP'D. BY: RAS	SCALE: --:--	SEE CHART		PART NO. SD-3191-2*	
LTR. REVISIONS		LTR. REVISIONS		THIS DRAWING CONTAINS INFORMATION THAT IS PROPRIETARY TO MOLEX INC. AND SHOULD NOT BE USED WITHOUT WRITTEN PERMISSION.	

13 12 11 10 9 8 7 6 5 4 3 2 NO P.S. 1



PLUG

3	J5			
2	J5	J5	REDRAWN ON CAD	
1	J5		ECR 1/8/96	RW

MMB, SH, REV, LTR, REVISIONS

DIMENSIONS SHOWN METRIC (INCH) UNLESS OTHERWISE SPECIFIED TOLERANCES: ANGULAR ± 1/2°

INCH	METRIC
3 PLACE ± .010	---
2 PLACE ± .015	± 0.25
1 PLACE ---	± 0.38

DRAFT WHERE APPLICABLE MUST REMAIN WITHIN DIMENSIONS

FILE NAME: SD-3191-3
 DRAWING NO.: 60532
 SHEET NO.: 1 of 3
 DATE: 1/ 8/96

MOLEX INCORPORATED
 LISLE, ILL. U.S.A.

SEE CHART

THIS DRAWING CONTAINS INFORMATION THAT IS PROPRIETARY TO MOLEX INC. AND SHOULD NOT BE USED WITHOUT WRITTEN PERMISSION.

PLUG		RECEPTACLE	
PART NO.	ENG. NO.	PART NO.	ENG. NO.
19-09-2038	3191-3P	19-09-1039	3191-3R1
19-09-2039	3191-3P1	19-09-1036	3191-3R1-201
19-09-2037	3191-3P-201	19-09-3030	3191-3R1RD
19-09-2036	3191-3P1-201		
19-09-1038	3191-3P1RD		
19-09-3032	3191-3PRD		
19-09-3033	3191-3PBU		

LEGEND

3191-3*****

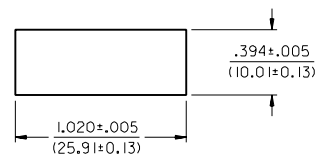
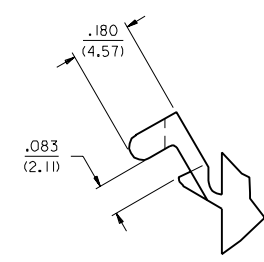
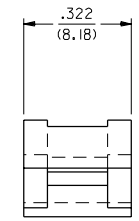
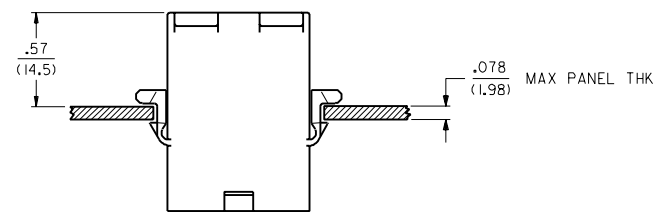
CIRCUIT SIZE

P = PLUG
R = RECEPTACLE

EARS: BLANK = WITH PREBENT EARS (PLUG ONLY)
I = WITHOUT EARS

COLOR: BLANK = NATURAL COLOR
AM=AMBER BK=BLACK BU=BLUE
BN=BROWN GY=GRAY GN=GREEN
OR=ORANGE RD=RED YW=YELLOW
COLORS AVAILABLE ONLY IN 94V-2 MATERIAL

MATERIAL: BLANK=NYLON TYPE 6/6,94V-2
201=NYLON TYPE 6/6, 94V-0



RECOMMENDED HOLE CUTOUT

DETAIL "A"
PREBENT MOUNTING EAR
(SCALE 4:1)

DIMENSIONS SHOWN (METRIC) INCH		▽ = 0	▼ = 0	REVISE ONLY ON CAD SYSTEM
UNLESS OTHERWISE SPECIFIED TOLERANCES ANGULAR ± 1/2°		TITLE		
		.093/(2.36) HOUSINGS		
		PLUG AND RECEPTACLE		
		3 CKT. ± .264/(6.71) CTRS.		
		MOLEX INCORPORATED		
		LITTLE,ILL. 60532 U.S.A. SHEET NO. 3 DATE 1/8/96		
		PART NO. SD-3191-3*		
		SEE CHART		
		THIS DRAWING CONTAINS INFORMATION THAT IS PROPRIETARY TO MOLEX INC. AND SHOULD NOT BE USED WITHOUT WRITTEN PERMISSION		
		CPIC		

13 12 11 10 9 8 7 6 3191 4 3 2 1

PLUG	
PART NO.	ENG. NO.
19-09-2038	3191-3P
19-09-2039	3191-3PI
19-09-2037	3191-3P-201
19-09-2036	3191-3PI-201
19-09-1038	3191-3PIRD
19-09-3032	3191-3PRD
19-09-3033	3191-3PBU

RECEPTACLE	
PART NO.	ENG. NO.
19-09-1039	3191-3RI
19-09-1036	3191-3RI-201
19-09-3030	3191-3RIRD

LEGEND

3191-3****-*

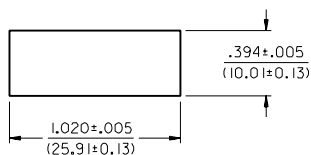
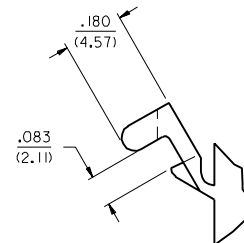
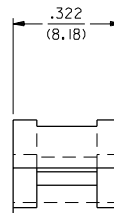
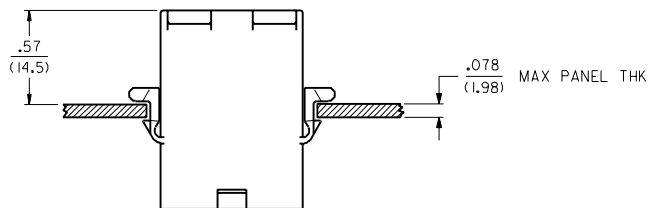
CIRCUIT SIZE

P = PLUG
R = RECEPTACLE

EARS: BLANK = WITH PREBENT EARS (PLUG ONLY)
I = WITHOUT EARS

COLOR: BLANK = NATURAL COLOR
AM=AMBER BK=BLACK BU=BLUE
BN=BROWN GY=GRAY GN=GREEN
OR=ORANGE RD=RED YW=YELLOW
COLORS AVAILABLE ONLY IN 94V-2 MATERIAL

MATERIAL: BLANK=NYLON TYPE 6/6,94V-2
201=NYLON TYPE 6/6, 94V-0

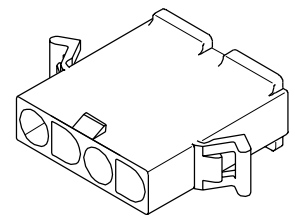
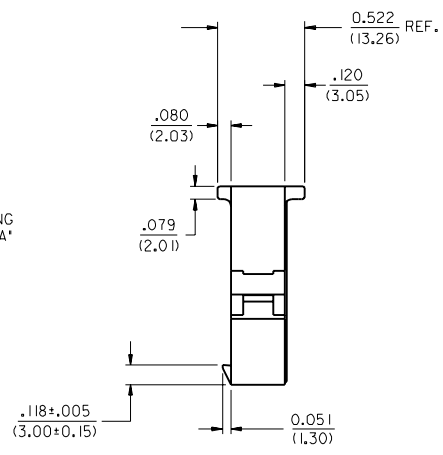
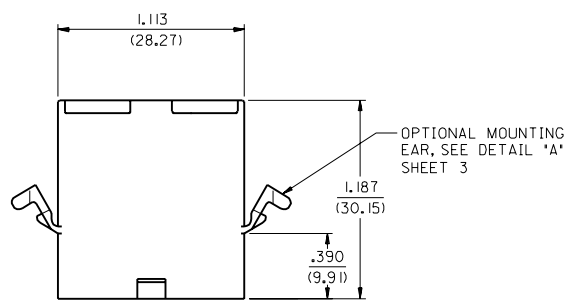
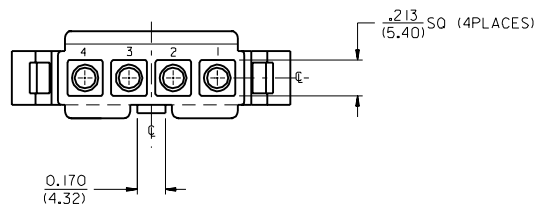


RECOMMENDED HOLE CUTOUT

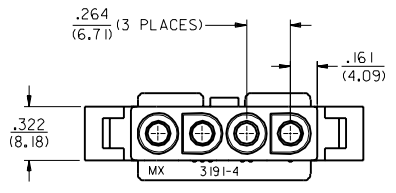
DETAIL "A"
PREBENT MOUNTING EAR
(SCALE 4:1)

DIMENSIONS SHOWN METRIC (INCH)		▽ = 0 ▼ = 0		REVISE ONLY ON CAD SYSTEM	
UNLESS OTHERWISE SPECIFIED TOLERANCES ANGULAR ± 1/2°		TITLE		.093/(2.36) HOUSINGS PLUG AND RECEPTACLE 3 CKT ±.264/(6.71) CTRS.	
INCH METRIC		MOLEX INCORPORATED		SHEET NO. 3 DATE 1/8/96	
3 PLACE ± .010	---	LITSEJLL 60532 U.S.A.		PART NO. SD-3191-3*	
2 PLACE ± .015	± 0.25	SEE CHART		DRWG. NO.	
1 PLACE ---	± 0.38	FILE NAME 531913X3.DWG		DIV. SIZE CP C	
DRAFT WHERE APPLICABLE MUST REMAIN WITHIN DIMENSIONS		APP'D. BY RAS		SCALE --:--	
DRWG. BY CAC		CHK'D. BY RW		THIS DRAWING CONTAINS INFORMATION THAT IS PROPRIETARY TO MOLEX INC. AND SHOULD NOT BE USED WITHOUT WRITTEN PERMISSION.	
LTR.	REVISIONS	LTR.	REVISIONS	NO P.S.	
		J5	SEE SHEET 1		

13 12 11 10 9 8 7 6 5 4 3 2 NO P.S. 1



PLUG HOUSING



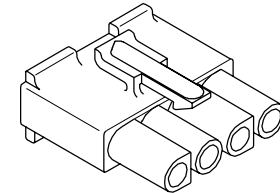
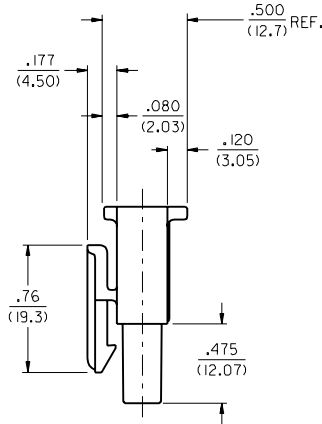
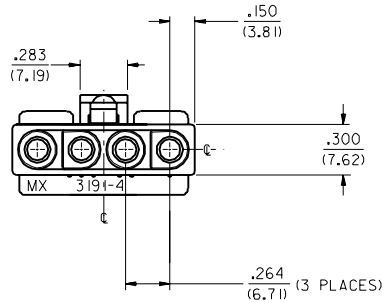
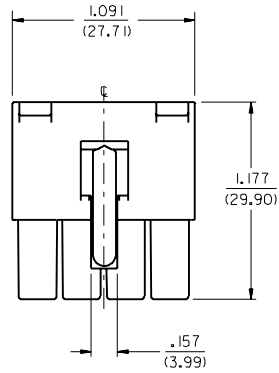
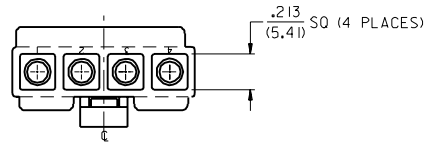
3	J3
2	J3
1	J3

REDRAWN ON CAD EC NO. UCR1998-0254 DRW: J. WANG 0006007 CHK: WIRKUS 0006007 APPR: R. EDGLEY 0006007	QUALITY SYMBOLS MAJOR $\blacktriangledown=0$ CRITICAL $\nabla=0$	GENERAL TOLERANCES: (UNLESS SPECIFIED)		SCALE 2 : 1	DESIGN UNITS <input type="checkbox"/> mm <input checked="" type="checkbox"/> INCH	THIRD ANGLE PROJECTION <input type="checkbox"/> mm <input checked="" type="checkbox"/> INCH <input type="checkbox"/> mm ONLY	DIMENSIONS: <input type="checkbox"/> mm <input checked="" type="checkbox"/> INCH <input type="checkbox"/> mm ONLY	SHT REV
		4 PLACES ±0.--- ±.---	3 PLACES ±0.--- ±.010	2 PLACES ±0.25 ±.015	1 PLACE ±0.38 ±.---			
J3		DESCRIPTION		DRAWN BY & DATE J. WANG 98/08/24		TITLE: .093/(2.36) HOUSINGS PLUG AND RECEPTACLE 4-CKTS, .264/(6.70) CTRS		REVISE ON CAD ONLY
REV		APPROVED BY & DATE R. EDGLEY 98/08/24		CAD FILENAME S3191401.DGN		MATERIAL NO. DRAWING NO. SEE SHT. 3 SD -3191 -4*		SHEET NO. 1 OF 3 SIZE C

13 12 11 10 9 8 7 6 5 4 3 2 3191

J
I
H
G
F
E
D
C
B
A

J
I
H
G
F
E
D
C
B
A



RECEPTACLE

EC NO. LCR1998-0254 DRWG: J.WANG 000607 CHK: B.WIRKUS 000607 APPR: R.EDGE 000607	QUALITY SYMBOLS MAJOR $\nabla=0$ CRITICAL $\nabla C=0$	GENERAL TOLERANCES: (UNLESS SPECIFIED)		SCALE 2 : 1	DESIGN UNITS <input type="checkbox"/> mm <input checked="" type="checkbox"/> INCH	THIRD ANGLE PROJECTION	DIMENSIONS: <input type="checkbox"/> mm <input checked="" type="checkbox"/> INCH <input type="checkbox"/> mm ONLY	SHT REVISE ON CAD ONLY
		DRAWN BY & DATE J.WANG 98/08/24	CHECKED BY & DATE B.WIRKUS 98/08/24	TITLE: .093/(2.36) HOUSINGS PLUG AND RECEPTACLE 4 CKT., .264/(6.70) CTRS		APPROVED BY & DATE R.EDGELEY 98/08/24	MATERIAL NO. SEE SHT.3	DRAWING NO. SD -3191 -4*
J3	REV	DRAFT WHERE APPLICABLE MUST REMAIN WITHIN DIMENSIONS		CAD FILENAME S3191402.DGN		THIS DRAWING CONTAINS INFORMATION THAT IS PROPRIETARY TO MOLEX INCORPORATED AND SHOULD NOT BE USED WITHOUT WRITTEN PERMISSION.		SIZE C

	13	12	11	10	9	8	7	6	5	4	3	2	3191
	PLUG		RECEPTACLE										
J	PART NO.	ENG. NO.	PART NO.	ENG. NO.									
	19-09-2048	3191-4P	19-09-1049	3191-4R1									
	19-09-2049	3191-4P1	19-09-1046	3191-4R1-A									
	19-09-2047	3191-4P-A											
	19-09-2046	3191-4P1-A											
I													
H													
G													
F													
E													
D													
C													
B													
A													

LEGEND

3191-4*****

CIRCUIT SIZE

P = PLUG
R = RECEPTACLE

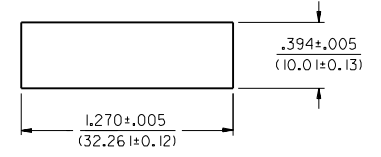
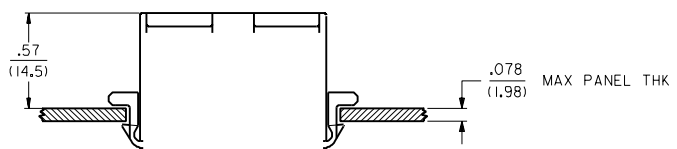
EARS: BLANK = WITH PREBENT EARS (PLUG ONLY)
I = WITHOUT EARS

COLOR: BLANK = NATURAL COLOR

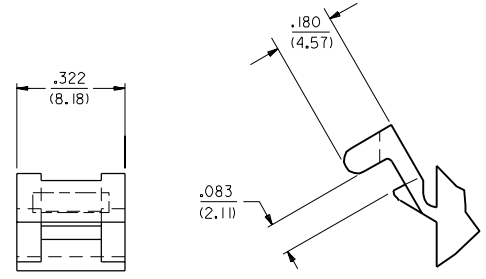
AM=AMBER BK=BLACK BU=BLUE
BN=BROWN GY=GRAY GN=GREEN
OR=ORANGE RD=RED YW=YELLOW

COLORS AVAILABLE ONLY IN 94V-2 MATERIAL

MATERIAL: BLANK=NYLON TYPE 6/6, 94V-2 COLOR:NATURAL
A=NYLON TYPE 6/6, 94V-0 COLOR:WHITE

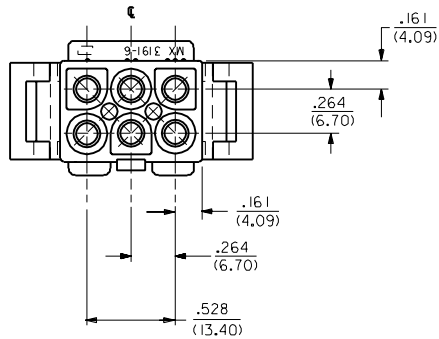
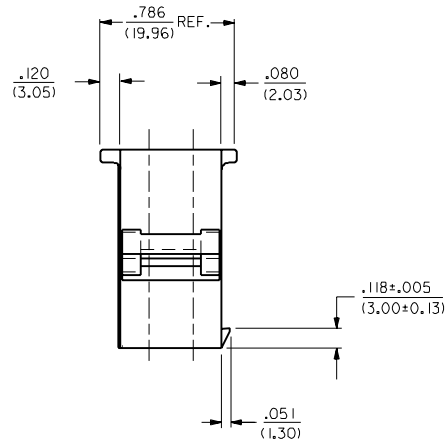
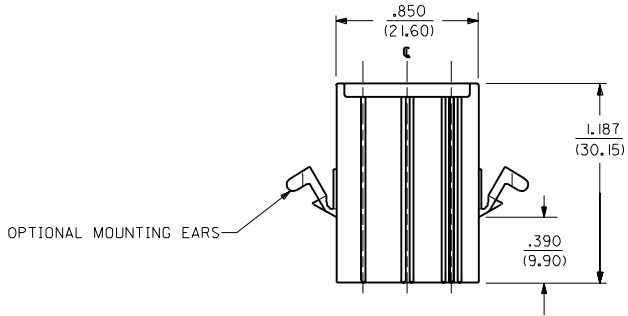
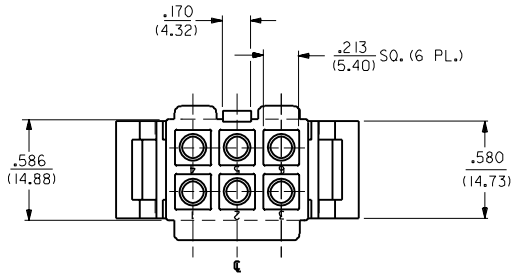


RECOMMENDED HOLE CUTOUT



DETAIL "A"
.093/(2.36) PREBENT MOUNTING EAR
(SCALE 4:1)

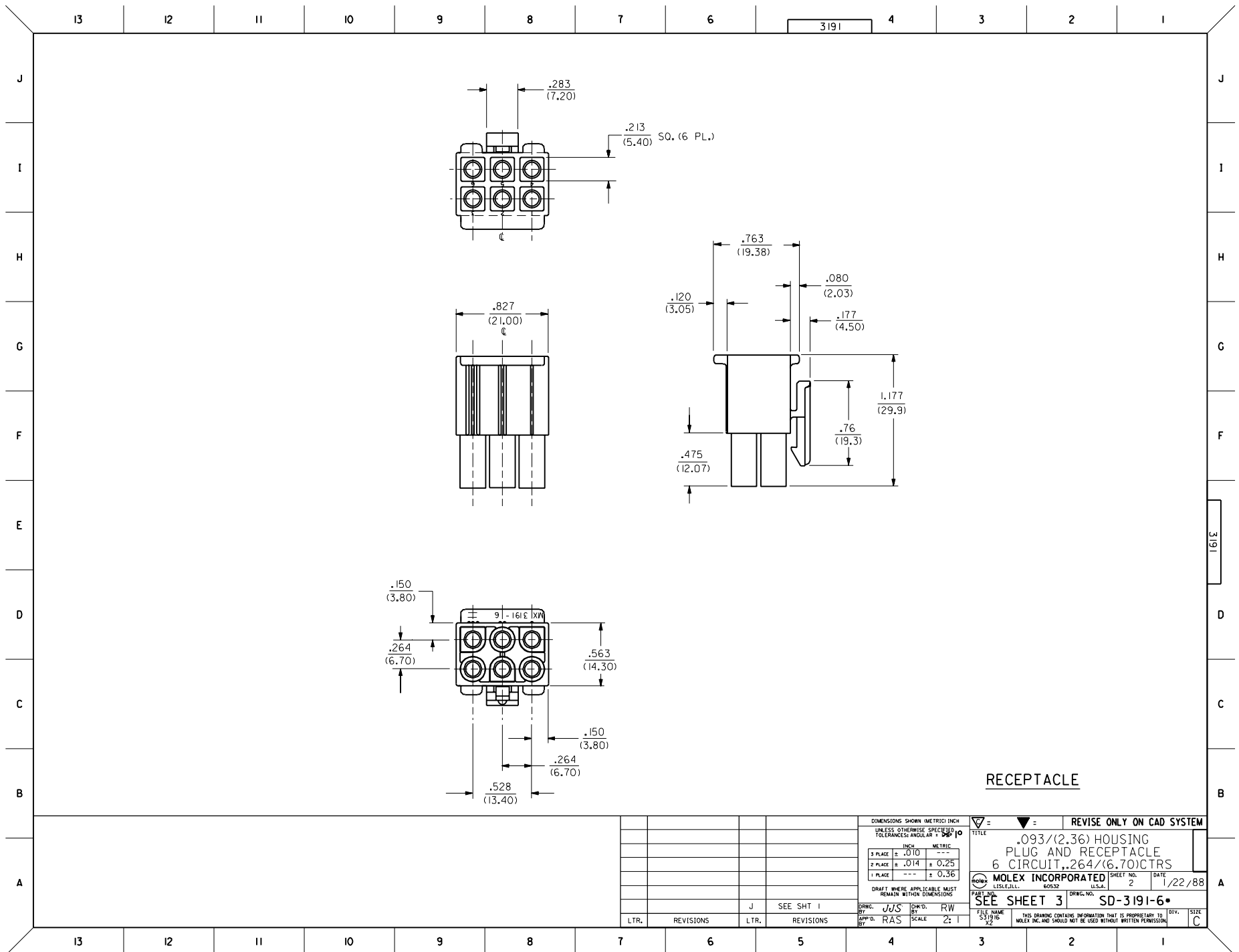
EC NO. LCR1998-0254 DRAWN BY J.WANG 000607 CHKD BY B.WIRKUS 000607 APPRD BY R.EDGLEY 000607	QUALITY SYMBOLS MAJOR $\nabla=0$ CRITICAL $\nabla C=0$	GENERAL TOLERANCES: (UNLESS SPECIFIED)		SCALE 2:1	DESIGN UNITS <input type="checkbox"/> mm <input checked="" type="checkbox"/> INCH	THIRD ANGLE PROJECTION	DIMENSIONS: <input type="checkbox"/> mm <input checked="" type="checkbox"/> INCH <input type="checkbox"/> mm ONLY	SHT	REV
		4 PLACES ±0.--- ±.--- 3 PLACES ±0.--- ±.010 2 PLACES ±0.25 ±.015 1 PLACE ±0.38 ±.---	mm	INCH	DRAWN BY & DATE J.WANG 98/08/18	CHECKED BY & DATE B.WIRKUS 98/08/18	TITLE: .093/(2.36) HOUSINGS PLUG AND RECEPTACLE 4-CKTS, .264/(6.70) CTRS		
J3	DESCRIPTION REV	ANGULAR: ±1 °		CAD FILENAME S3191403.DGN	MATERIAL NO. SEE SHT.3	DRAWING NO. SD -3191-4*	SHEET NO. 3		
		DRAFT WHERE APPLICABLE MUST REMAIN WITHIN DIMENSIONS		THIS DRAWING CONTAINS INFORMATION THAT IS PROPRIETARY TO MOLEX INCORPORATED AND SHOULD NOT BE USED WITHOUT WRITTEN PERMISSION.		MOLEX INCORPORATED		SIZE C	



PLUG

MI	ADD RAMP LENGTH ECN #U4 0293 3-1-94 RW
M	REVISED PER ECR # U90659 KBW 07-25-89 RW
L	ADDED STANDOFFS PER ECR UB 2271 GEP 11-30-88 RW
K	REV. & FINAL REL. ECR UB 1710 GEP 7-14-88 RW
J	REVISED & REDRAWN PER ECR UB 0122 2-2-88 SCHAFFER
MFG.	SH. REV. LTR. REVISIONS

DIMENSIONS SHOWN METRIC (INCH)		▽ = 0	▼ = 0	REVISE ONLY ON CAD SYSTEM
UNLESS OTHERWISE SPECIFIED TOLERANCES ANGULAR ± 0.1°		TITLE		
INCH METRIC		.093/(2.36) HOUSING PLUG AND RECEPTACLE 6 CKT. .264/(6.70) CTRS.		
3 PLACE ± .010	---	MOLEX INCORPORATED SHEET NO. DATE		
2 PLACE ± .014	± 0.25	L15LEJLL. 60532 U.S.A. 1 OF 3 1/25/88		
1 PLACE ---	± 0.36	PART NO. DRWG. NO.		
DRAFT WHERE APPLICABLE MUST REMAIN WITHIN DIMENSIONS		SEE CHART SD-3191-6*		
DRWG. BY JUS	CHKD. BY RW	FILE NAME	REV.	SIZE
APP'D. RAS	SCALE 2 : 1	S31916.X1		CP C
THIS DRAWING CONTAINS INFORMATION THAT IS PROPRIETARY TO MOLEX INC. AND SHOULD NOT BE USED WITHOUT WRITTEN PERMISSION.				



RECEPTACLE

DIMENSIONS SHOWN (METRIC) INCH
UNLESS OTHERWISE SPECIFIED
TOLERANCES ANGLES ARE IN MILLIMETERS

	INCH	METRIC
3 PLACE	$\pm .010$	---
2 PLACE	$\pm .014$	± 0.25
1 PLACE	---	± 0.36

DRAFT WHERE APPLICABLE MUST REMAIN WITHIN DIMENSIONS

REVISIONS		REVISE ONLY ON CAD SYSTEM	
TITLE .093/(2.36) HOUSING PLUG AND RECEPTACLE 6 CIRCUIT, .264/(6.70) CTRS			
PART NO. SEE SHEET 3		DATE 1/22/88	
DRAWING NO. SD-3191-6*		SHEET NO. 2	
FILE NAME S31916		THIS DRAWING CONTAINS INFORMATION THAT IS PROPRIETARY TO MOLEX INC. AND SHOULD NOT BE USED WITHOUT WRITTEN PERMISSION	
SCALE 2:1		DYN. SIZE C	

DRWG. BY JUS	CHK'D. BY RW
APP'D. BY RAS	SCALE 2:1
LTR.	REVISIONS
LTR.	REVISIONS
J	SEE SHT 1

13 12 11 10 9 8 7 6 3191 4 3 2 1

PLUG		RECEPTACLE	
PART NO.	ENG. NO.	PART NO.	ENG. NO.
19-09-2068	3191-6P	19-09-1069	3191-6R1
19-09-2069	3191-6P1	19-09-1066	3191-6R1-201
19-09-2067	3191-6P-201	19-09-6060	3191-6R IRD
19-09-2066	3191-6P1-201	19-09-6069	3191-6R IBK
19-09-7069	3191-6PRD		
19-09-7068	3191-6PBK		

LEGEND:

3191-6****-*

CIRCUIT SIZE

P = PLUG

R = RECEPTACLE

EARS: BLANK = WITH PREBENT EARS (PLUG ONLY)

I = WITHOUT EARS

COLOR: BLANK = NATURAL COLOR

AM=AMBER BK=BLACK BU=BLUE

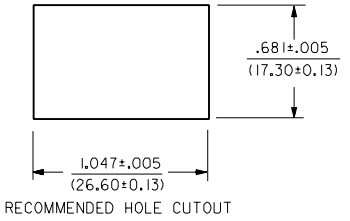
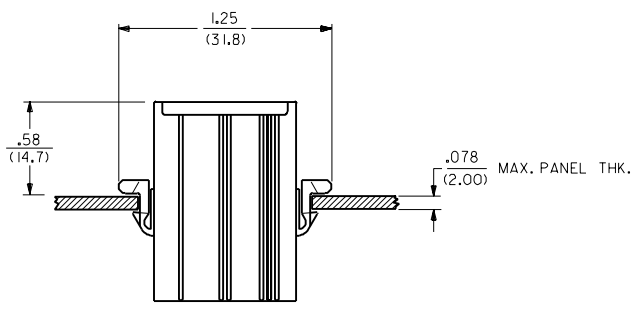
BN=BROWN GY=GRAY GN=GREEN

OR=ORANGE RD=RED YW=YELLOW

COLORS AVAILABLE ONLY IN 94V-2 MATERIAL

MATERIAL: BLANK=NYLON TYPE 6/6, 94V-2

201=NYLON TYPE 6/6, 94V-0



RECOMMENDED HOLE CUTOUT

MOUNTING HOLE DETAIL

3191

DIMENSIONS SHOWN (METRIC) INCH		UNLESS OTHERWISE SPECIFIED TOLERANCES ANGLES ARE ± DPM		REVISIONS ONLY ON CAD SYSTEM	
INCH		METRIC		TITLE	
3 PLACE	± .010	---	---	.093/(2.36) HOUSINGS	
2 PLACE	± .014	± 0.25	---	PLUG AND RECEPTACLE	
1 PLACE	---	± 0.36	---	6 CKT., .264/(6.70) CTRS.	
DRAFT WHERE APPLICABLE MUST REMAIN WITHIN DIMENSIONS				MOLEX INCORPORATED	
DRAWING BY: JUS				SHEET NO. 3	
APP'D. BY: RAS				DATE 1/22/88	
SCALE: --:--				PART NO. SD-3191-6*	
LTR. REVISIONS				THIS DRAWING CONTAINS INFORMATION THAT IS PROPRIETARY TO MOLEX INC. AND SHOULD NOT BE USED WITHOUT WRITTEN PERMISSION	

13 12 11 10 9 8 7 6 5 4 3 2 1