

Distributed by:

JAMECO[®]
ELECTRONICS

www.Jameco.com ♦ 1-800-831-4242

The content and copyrights of the attached
material are the property of its owner.

Jameco Part Number 743218

FEATURES AND SPECIFICATIONS

Features and Benefits

- Positive lock
- Fully isolated terminals
- Polarized housing assures proper mating
- Male and female terminals may be used in receptacle housing

Reference Information

Packaging: Bag
 UL File No.: E29179
 CSA File No.: LR19980
 TUV License No.: R75107
 Mates With: [5219](#) header and [3191](#) plug
 Use With: Standard .093" terminal
 Designed In: Inches

Electrical

Voltage: 600V
 Current: 12.0A max.*
 Dielectric Withstanding Voltage: 5000V AC rms

Mechanical

Contact Retention to Housing: 20 lb min.

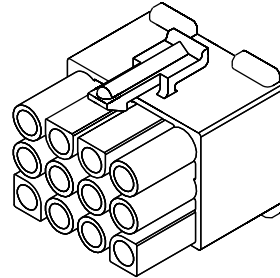
Physical

Housing: Nylon, UL 94V-0 or 94V-2
 Operating Temperature: -40 to +105°C

* Depending on circuit size and wire gauge; please refer to product specifications

molex® 6.71 mm (.264") Pitch .093" Pin and Socket Receptacle

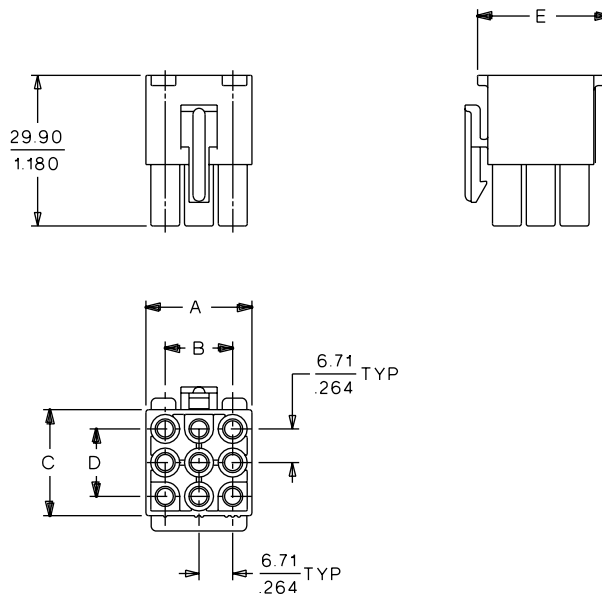
3191



Power Connectors

F

CATALOG DRAWING (FOR REFERENCE ONLY)



ORDERING INFORMATION AND DIMENSIONS

Circuits	Order No.		Amperes per Circuit	Dimension				
	94V-2	94V-0		A	B	C	D	E
1	• 19-09-1019	• 19-09-1016	12	7.60 (.300)		7.60 (.300)		10.62 (.418)
2	• 19-09-1029	• 19-09-1026	12	14.30 (.560)	6.71 (.264)	7.60 (.300)		12.70 (.500)
3	• 19-09-1039	• 19-09-1036	11	21.00 (.830)	13.42 (.528)	7.60 (.300)		12.70 (.500)
4	• 19-09-1049	• 19-09-1046	9	27.70 (1.090)	20.13 (.792)	7.60 (.300)		12.70 (.500)
6	• 19-09-1069	• 19-09-1066	9	21.00 (.830)	13.42 (.528)	14.30 (.560)	6.71 (.264)	19.38 (.763)
9	• 19-09-1099	• 19-09-1096	9	21.00 (.830)	13.42 (.528)	21.00 (.830)	13.42 (.528)	26.20 (1.030)
12	• 19-09-1129	• 19-09-1126	9	27.70 (1.090)	20.13 (.792)	21.00 (.830)	13.42 (.528)	26.20 (1.030)
15	• 19-09-1159	• 19-09-1156	9	34.40 (1.350)	26.84 (1.056)	21.00 (.830)	13.42 (.528)	26.20 (1.030)

• US Standard Product, available through Molex franchised distributors

PLUG		RECEPTACLE	
PART NO.	ENG. NO.	PART NO.	ENG. NO.
19-09-2098	3191-9P	19-09-1099	3191-9R1
19-09-2099	3191-9P1	19-09-1096	3191-9R1-201
19-09-2097	3191-9P-201		
19-09-2096	3191-9P1-201		

LEGEND:

3191-9****-*

CIRCUIT SIZE

P = PLUG

R = RECEPTACLE

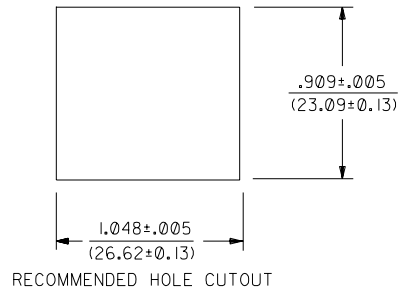
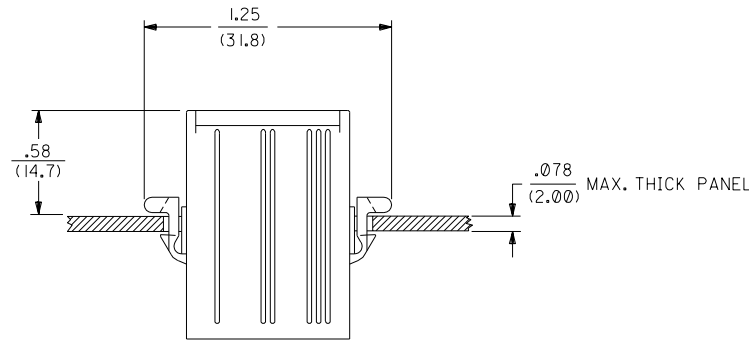
EARS: BLANK = WITH PREBENT EARS (PLUG ONLY)

I = WITHOUT EARS

COLOR: BLANK = NATURAL COLOR

AM=AMBER BK=BLACK BU=BLUE
 BN=BROWN GY=GRAY GN=GREEN
 OR=ORANGE RD=RED YW=YELLOW
 COLORS AVAILABLE ONLY IN 94V-2 MATERIAL

MATERIAL: BLANK=NYLON TYPE 6/6, 94V-2
 201=NYLON TYPE 6/6, 94V-0



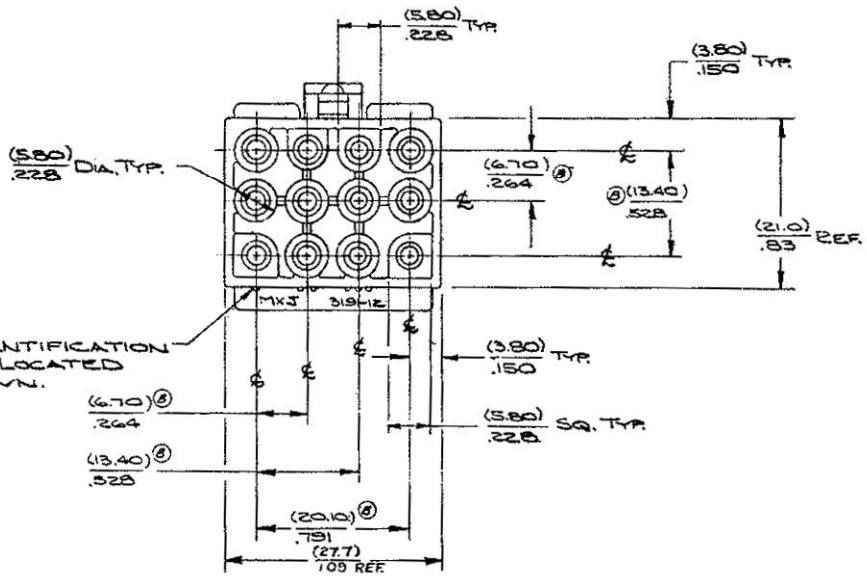
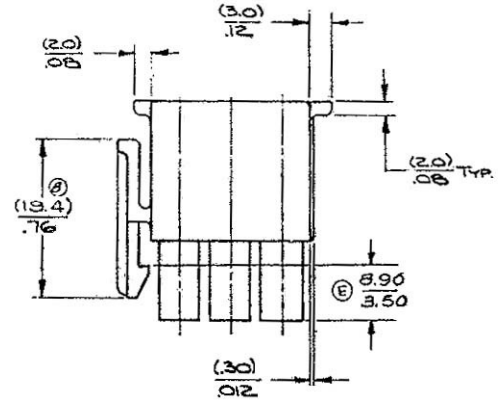
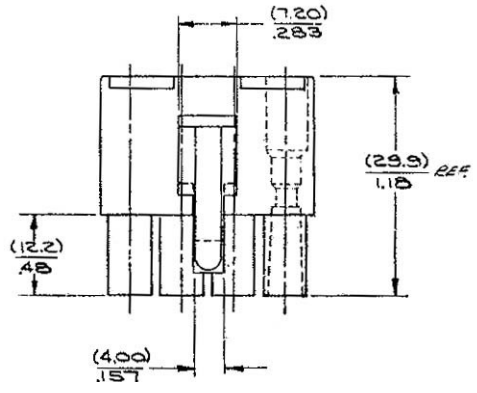
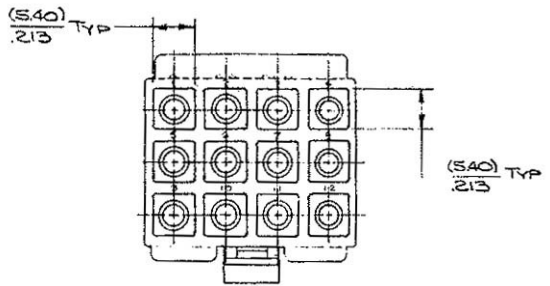
NOTES:

I. THESE HOUSINGS FOR USE WITH MOLEX .093/(2.36) DIAMETER SERIES TERMINALS.

DIMENSIONS SHOWN (METRIC) INCH	
UNLESS OTHERWISE SPECIFIED TOLERANCES: ANGULAR ± .04° 10	
5 PLACE ± .010	---
2 PLACE ± .014	± 0.25
1 PLACE ---	± 0.35
DRAFT WHERE APPLICABLE MUST REMAIN WITHIN DIMENSIONS	
DRWG. BY: GEP	CHK'D. BY: RW
APP'D. BY: RAS	SCALE: --:--

▽ =	▼ =	REVISE ONLY ON CAD SYSTEM
TITLE: .093/(2.36) HOUSINGS PLUG AND RECEPTACLE 9 CKT., .264/(6.70) CTRS.		
FROM: MOLEX INCORPORATED L15E,ILL. 60532 U.S.A.	SHEET NO. 3	DATE 8/2/89
PART NO. SEE CHART	DRWG. NO. SD-3191-9*	
FILE NAME: 531919X3.DWG	THIS DRAWING CONTAINS INFORMATION THAT IS PROPRIETARY TO MOLEX INC. AND SHOULD NOT BE USED WITHOUT WRITTEN PERMISSION.	
CP	IC	NO P.S.1

LTR.	REVISIONS	LTR.	REVISIONS
		J	SEE SHT. 1



19-09-112*
SD-3191-12R1-D

NOTE:
THIS HOUSING FOR USE WITH MOLEX
(236)/.093 DIA. FEMALE TERMINALS.

PART NO.	ENG. NO.	MATERIAL
NOT TOOLED	SDX-3191-12R1-D	NYLON 6/6, 94U-2 COLOR NATURAL.
19-09-3121	SD-3191-12R1-203	ASAHI CEONA FR-200 (-D INDICATES DYED)
NOT TOOLED	SDX-3191-12R1-202	MOD. NYLON 6/6 94U-2 DUPONT FE-3016
NOT TOOLED	SDX-3191-12R1-200	MOD. NYLON 6/6, 94U-0, MOUSANTO M340
19-09-1120	SD-3191-12R1-201	MOD. NYLON 6/6, 94U-0, WELLAMID FE2-PA
19-09-1129	SD-3191-12R1	NYLON 6/6, 94U-2

REV.	DATE	DESCRIPTION
1	11/21/78	INITIAL DESIGN
2	12/1/78	REVISED TO ADD DIMENSIONS
3	12/1/78	REVISED TO ADD DIMENSIONS
4	12/1/78	REVISED TO ADD DIMENSIONS
5	12/1/78	REVISED TO ADD DIMENSIONS
6	12/1/78	REVISED TO ADD DIMENSIONS
7	12/1/78	REVISED TO ADD DIMENSIONS
8	12/1/78	REVISED TO ADD DIMENSIONS
9	12/1/78	REVISED TO ADD DIMENSIONS
10	12/1/78	REVISED TO ADD DIMENSIONS
11	12/1/78	REVISED TO ADD DIMENSIONS
12	12/1/78	REVISED TO ADD DIMENSIONS
13	12/1/78	REVISED TO ADD DIMENSIONS

AGFO

MOLEX INCORPORATED

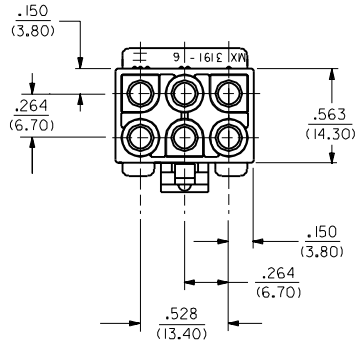
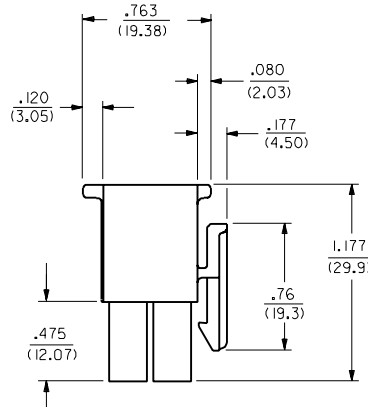
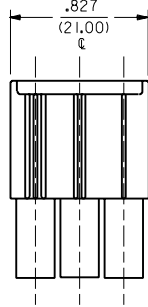
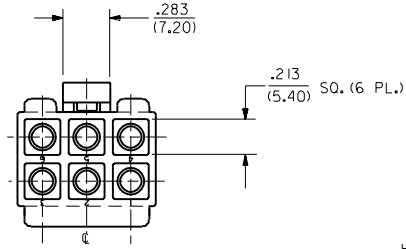
19-09-112* SD-3191-12R1-D

DATE: 10/21/78

AGFO

13 12 11 10 9 8 7 6 3191 4 3 2 1

J
I
H
G
F
E
D
C
B
A

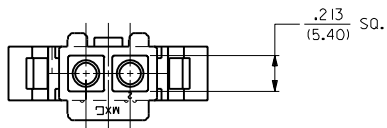


RECEPTACLE

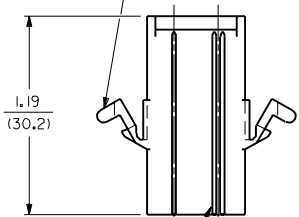
DIMENSIONS SHOWN METRIC (INCH)		UNLESS OTHERWISE SPECIFIED TOLERANCES: ANGULAR ± .010		REVISIONS	
INCH	METRIC	FILE NO.	TITLE	SHEET NO.	DATE
3 PLACE ± .010	---	SEE SHEET 3	.093/(2.36) HOUSING PLUG AND RECEPTACLE 6 CIRCUIT, .264/(6.70)CTRS	2	1/22/88
2 PLACE ± .014	± 0.25	MOLEX INCORPORATED		DIV.	
1 PLACE ---	± 0.36	LITSE,ILL. 60532 U.S.A.		SIZE	
DRAFT WHERE APPLICABLE MUST REMAIN WITHIN DIMENSIONS		PART NO. SD-3191-6		C	
DRW. BY JJS	CHKD. BY RW	THIS DRAWING CONTAINS INFORMATION THAT IS PROPRIETARY TO MOLEX INC. AND SHOULD NOT BE USED WITHOUT WRITTEN PERMISSION.		SCALE 2:1	
APP'D. BY RAS	SCALE 2:1				

LTR.	REVISIONS	LTR.	REVISIONS
		J	SEE SHT 1

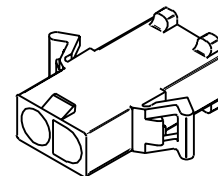
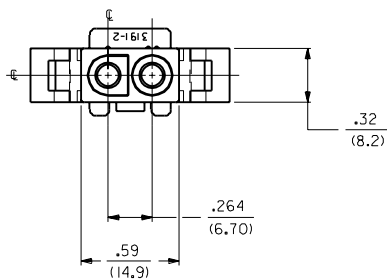
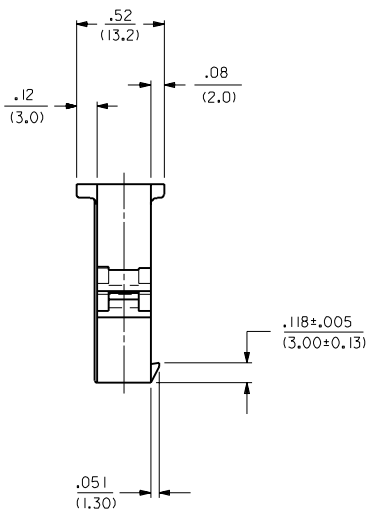
13 12 11 10 9 8 7 6 5 4 3 2 1



PREBENT MOUNTING EAR
(WHEN SPECIFIED)



CIRCUIT NUMBER
IDENTIFICATION RIBS



PLUG

3	E2	
2	D	
1	E4	
<input checked="" type="checkbox"/>	SH.	REV. LTR. REVISIONS

DIMENSIONS SHOWN METRIC (INCH)		UNLESS OTHERWISE SPECIFIED TOLERANCES: ANGULAR ± .001 TO	
3 PLACE	± .010	---	---
2 PLACE	± .014	± 0.25	---
1 PLACE	---	± 0.35	---
DRAFT WHERE APPLICABLE MUST REMAIN WITHIN DIMENSIONS			
DRWG. BY: RAS	CHKD. BY: RW	FILE NAME: S31912X1.DWG	DATE: 11/21/88
APP'D. BY: RAS	SCALE: 2 : 1	PART NO. SEE CHART DRWG. NO. SD-3191-2*	

TITLE		REVISED	
.093/(2.36) HOUSING, PLUG AND RECEPTACLE, 2 CKT ±.264/(6.70) CTRS.		UCR 98-0148 WANG 98-04-15	
MOLEX INCORPORATED		ADD RAMP DIM'S ECN #U4 0293 3-1-94 RW	
LITTLE ROCK, ARK. 72652 U.S.A.		X-REMOVE ECR #U3 0001 12/30/92 RW	
SHEET NO. 1 OF 3		REL. REV. VERSIONS ECR #U1 2167 1/24/92 RW	
DATE 11/21/88		REV. MATL. CODE ECR # U90901 KBW 01-25-89 RW	
REV. & REDRAWN ECR # UB 1858 GEP 11-21-88 RW			

NO P.S. 1

13 12 11 10 9 8 7 6 3191 4 3 2 1

PLUG		RECEPTACLE	
PART NO.	ENG. NO.	PART NO.	ENG. NO.
19-09-2028	3191-2P	19-09-1029	3191-2R1
19-09-2029	3191-2P1	19-09-1026	3191-2R1-201
19-09-2027	3191-2P-201	19-09-1020	3191-2R IRD
19-09-2026	3191-2P1-201	19-09-1021	3191-2R IBU
19-09-2020	3191-2P IRD		
19-09-2021	3191-2P IBU		

LEGEND:
 3191-2****-*

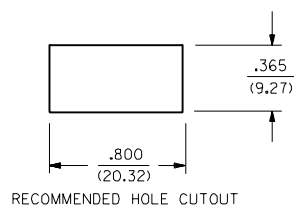
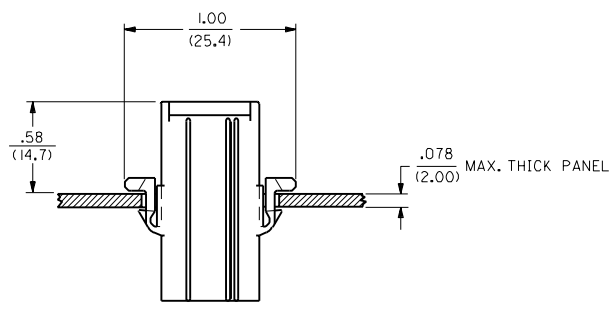
CIRCUIT SIZE

P = PLUG
 R = RECEPTACLE

EARS: BLANK = WITH PREBENT EARS (PLUG ONLY)
 I = WITHOUT EARS

COLOR: BLANK = NATURAL COLOR
 AM=AMBER BK=BLACK BU=BLUE
 BN=BROWN GY=GRAY GN=GREEN
 OR=ORANGE RD=RED YW=YELLOW

MATERIAL: BLANK=NYLON TYPE 6/6, 94V-2
 201=NYLON TYPE 6/6, 94V-0



NOTES:
 1. THESE HOUSINGS FOR USE WITH MOLEX .093/(2.36) DIAMETER SERIES TERMINALS.

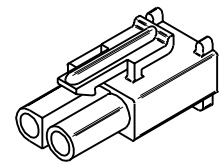
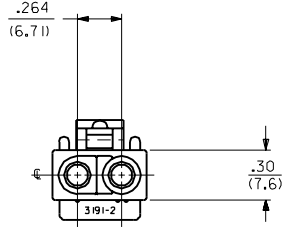
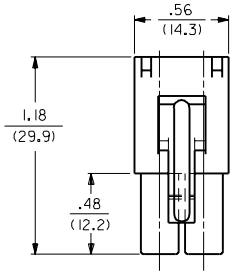
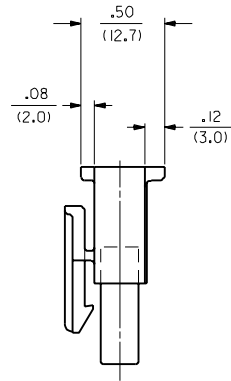
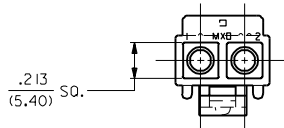
J
I
H
G
F
E
D
C
B
A

3191

J
I
H
G
F
E
D
C
B
A

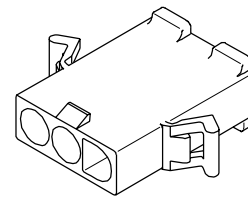
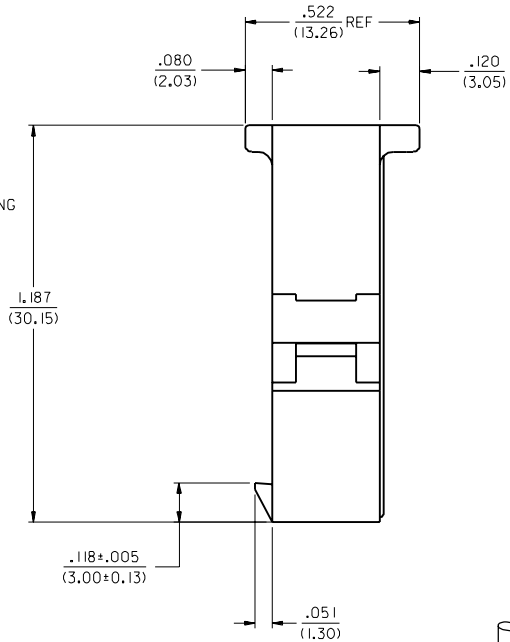
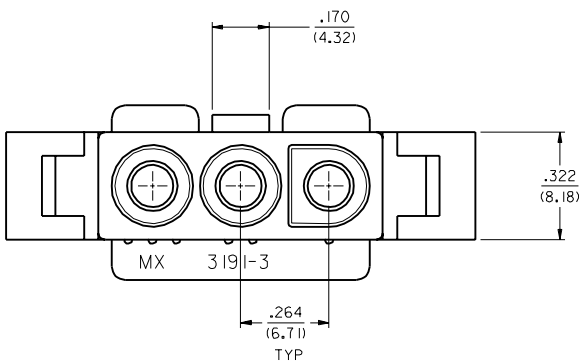
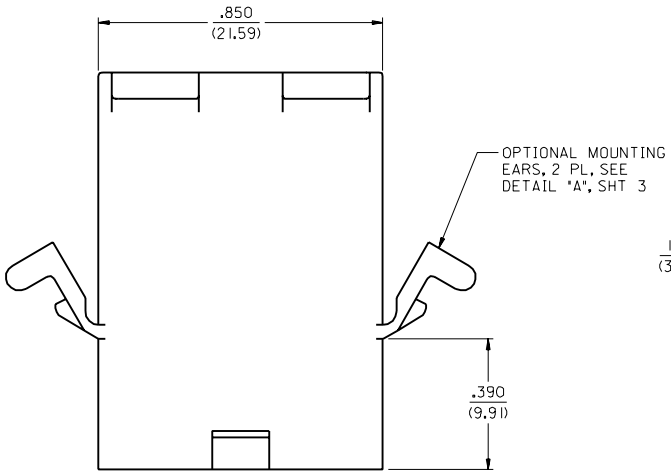
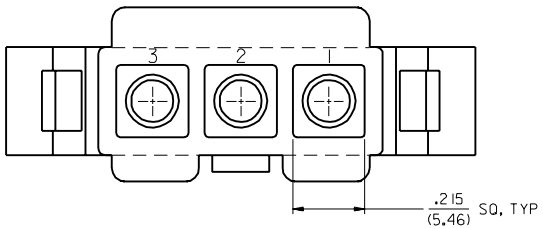
DIMENSIONS SHOWN (METRIC) INCH UNLESS OTHERWISE SPECIFIED TOLERANCES: ANGLES .015°		▽=0	▽=0	REVISE ONLY ON CAD SYSTEM
INCH METRIC		TITLE .093/(2.36) HOUSINGS PLUG AND RECEPTACLE 2 CKT., .264/(6.70) CTRS.		
3 PLACE ± .010 ---		MOLEX INCORPORATED LITTLE ROCK, AR 60532 U.S.A.		
2 PLACE ± .014 ± 0.25		SHEET NO. 3 DATE 11/21/88		
1 PLACE --- ± 0.35		PART NO. SD-3191-2*		
DRAFT WHERE APPLICABLE MUST REMAIN WITHIN DIMENSIONS		SEE CHART		
DRWG. BY: CEP	CHK'D. BY: RW	FILE NAME: 531912X3.DGN		
APP'D. BY: RAS	SCALE: --:--	THIS DRAWING CONTAINS INFORMATION THAT IS PROPRIETARY TO MOLEX INC. AND SHOULD NOT BE USED WITHOUT WRITTEN PERMISSION.		
LTR. REVISIONS	LTR. REVISIONS	NO P.S. 1		

13 12 11 10 9 8 7 6 5 4 3 2 NO P.S. 1



RECEPTACLE

DIMENSIONS SHOWN METRIC (INCH)		REVISIONS	
UNLESS OTHERWISE SPECIFIED TOLERANCES: ANGULAR ± .005° TO		D	
INCH METRIC		SEE SHT. 1	
3 PLACE ± .010	---	LTR.	REVISIONS
2 PLACE ± .014	± 0.25		
1 PLACE ---	± 0.35		
DRAFT WHERE APPLICABLE MUST REMAIN WITHIN DIMENSIONS			
DRAWN: GEP		APP'D. RAS	
CHK'D. RW		SCALE 2 : 1	
FILE NAME S31912X2		DIV. CP	
TITLE		SIZE	
.093/(2.36) HOUSING, PLUG AND RECEPTACLE, 2 CKT., .264/(6.70) CTRS.		NO P.S. 1	
MOLEX INCORPORATED		PART NO. SD-3191-2*	
LITSEJLL 60532 U.S.A.		SHEET NO. 2	
DATE 11/21/88		DRWG. NO.	



PLUG

3	J5			
2	J5	J5	REDRAWN ON CAD	
1	J5		ECR U6 0734	RW
			CK 1/8/96	

MMB, SH, REV, LTR, REVISIONS

DIMENSIONS SHOWN METRIC (INCH)		▽ = 0	▼ = 0	REVISE ONLY ON CAD SYSTEM	
UNLESS OTHERWISE SPECIFIED TOLERANCES: ANGULAR ± 1/2°		TITLE		.093/(2.36) HOUSING	
				PLUG AND RECEPTACLE	
				3 CKT., .264/(6.71) CTRS.	
		MOLEX INCORPORATED		SHEET NO.	DATE
		L15LEJLL		1 of 3	1/ 8/96
		SEE CHART		SD-3191-3•	
DRWG. BY: RAS	CHKD. BY: RW	FILE NAME: S31913X1.DGN	SCALE: 4 : 1	DIV.:	SIZE: CP C

PLUG		RECEPTACLE	
PART NO.	ENG. NO.	PART NO.	ENG. NO.
19-09-2038	3191-3P	19-09-1039	3191-3R1
19-09-2039	3191-3P1	19-09-1036	3191-3R1-201
19-09-2037	3191-3P-201	19-09-3030	3191-3R1RD
19-09-2036	3191-3P1-201		
19-09-1038	3191-3P1RD		
19-09-3032	3191-3PRD		
19-09-3033	3191-3PBU		

LEGEND

3191-3*****

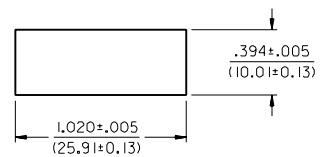
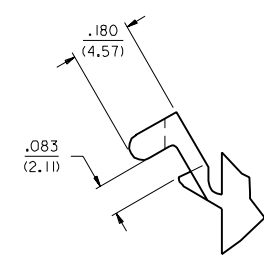
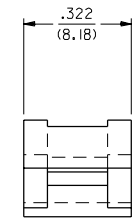
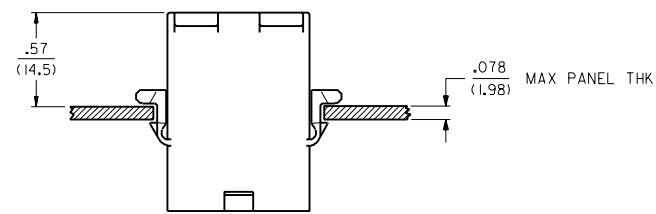
CIRCUIT SIZE

P = PLUG
R = RECEPTACLE

EARS: BLANK = WITH PREBENT EARS (PLUG ONLY)
I = WITHOUT EARS

COLOR: BLANK = NATURAL COLOR
AM=AMBER BK=BLACK BU=BLUE
BN=BROWN GY=GRAY GN=GREEN
OR=ORANGE RD=RED YW=YELLOW
COLORS AVAILABLE ONLY IN 94V-2 MATERIAL

MATERIAL: BLANK=NYLON TYPE 6/6,94V-2
201=NYLON TYPE 6/6, 94V-0



RECOMMENDED HOLE CUTOUT

DETAIL "A"
PREBENT MOUNTING EAR
(SCALE 4:1)

DIMENSIONS SHOWN (METRIC) INCH		▽=0	▼=0	REVISE ONLY ON CAD SYSTEM
UNLESS OTHERWISE SPECIFIED TOLERANCES ANGULAR ± 1/2°		TITLE		
		.093/(2.36) HOUSINGS		
		PLUG AND RECEPTACLE		
		3 CKT. ±.264/(6.71) CTRS.		
		MOLEX INCORPORATED		
		LITTLE,ILL. 60532 U.S.A. SHEET NO. 3 DATE 1/ 8/96		
		PART NO. SD-3191-3*		
		SEE CHART		
		THIS DRAWING CONTAINS INFORMATION THAT IS PROPRIETARY TO MOLEX INC. AND SHOULD NOT BE USED WITHOUT WRITTEN PERMISSION		
		CPIC		

13 12 11 10 9 8 7 6 3191 4 3 2 1

PLUG

RECEPTACLE

PART NO.	ENG. NO.
19-09-2038	3191-3P
19-09-2039	3191-3PI
19-09-2037	3191-3P-201
19-09-2036	3191-3PI-201
19-09-1038	3191-3PIRD
19-09-3032	3191-3PRD
19-09-3033	3191-3PBU

PART NO.	ENG. NO.
19-09-1039	3191-3RI
19-09-1036	3191-3RI-201
19-09-3030	3191-3IRD

LEGEND

3191-3****-*

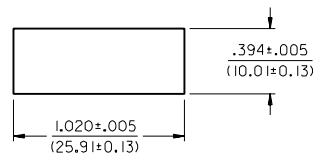
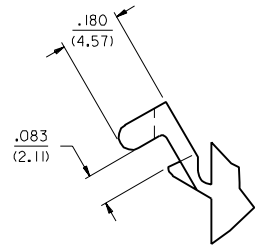
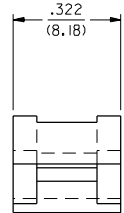
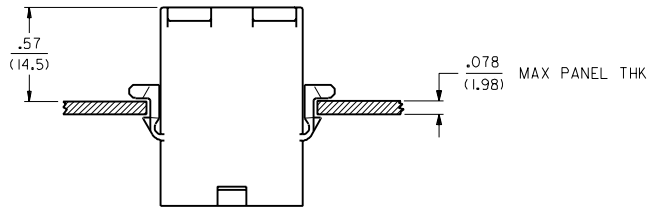
CIRCUIT SIZE ————

P = PLUG
R = RECEPTACLE

EARS: BLANK = WITH PREBENT EARS (PLUG ONLY)
I = WITHOUT EARS

COLOR: BLANK = NATURAL COLOR
AM=AMBER BK=BLACK BU=BLUE
BN=BROWN GY=GRAY GN=GREEN
OR=ORANGE RD=RED YW=YELLOW
COLORS AVAILABLE ONLY IN 94V-2 MATERIAL

MATERIAL: BLANK=NYLON TYPE 6/6,94V-2
201=NYLON TYPE 6/6, 94V-0

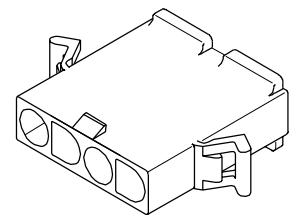
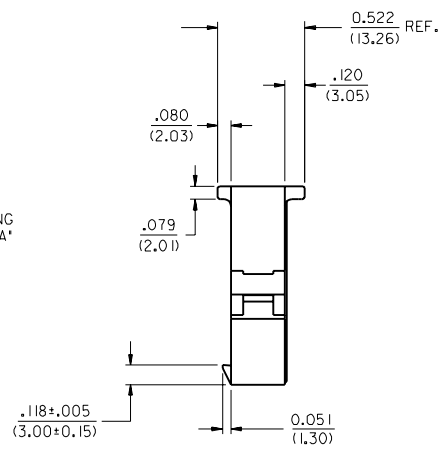
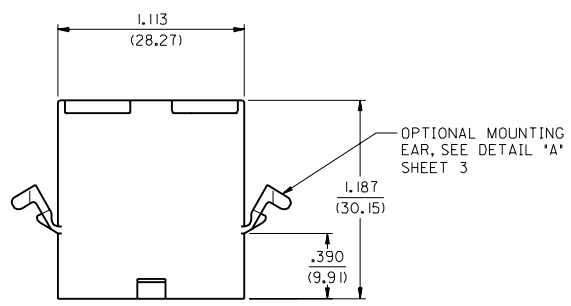
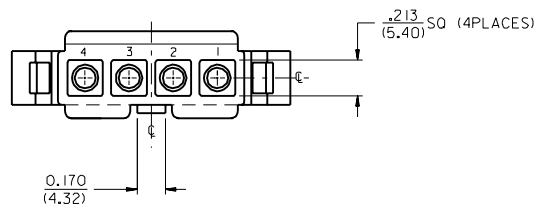


RECOMMENDED HOLE CUTOUT

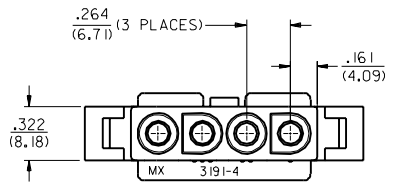
DETAIL "A"
PREBENT MOUNTING EAR
(SCALE 4:1)

DIMENSIONS SHOWN (METRIC) INCH		▽ = 0 ▼ = 0		REVISE ONLY ON CAD SYSTEM	
UNLESS OTHERWISE SPECIFIED TOLERANCES ANGULAR ± 1/2°		TITLE		.093/(2.36) HOUSINGS PLUG AND RECEPTACLE 3 CKT ±.264/(6.71) CTRS.	
INCH METRIC		MOLEX INCORPORATED		SHEET NO. 3 DATE 1/8/96	
3 PLACE ± .010	---	LITSE,ILL. 60532 U.S.A.		PART NO. SD-3191-3*	
2 PLACE ± .015	± 0.25	SEE CHART		DRWG. NO.	
1 PLACE ---	± 0.38	FILE NAME 531913X3.DWG		DIV. SIZE CP C	
DRAFT WHERE APPLICABLE MUST REMAIN WITHIN DIMENSIONS		APP'D. BY RAS		SCALE --:--	
DRWG. BY CAC		CHK'D. BY RW		LTR. REVISIONS	
J5 SEE SHEET 1				NO P.S. 1	

13 12 11 10 9 8 7 6 5 4 3 2 NO P.S. 1



PLUG HOUSING



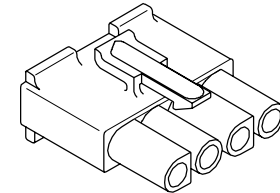
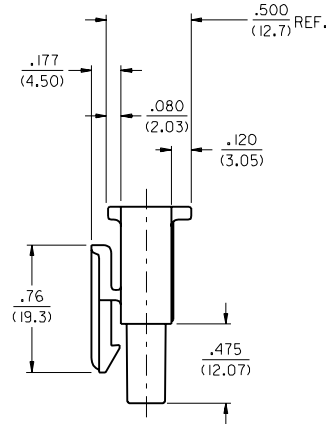
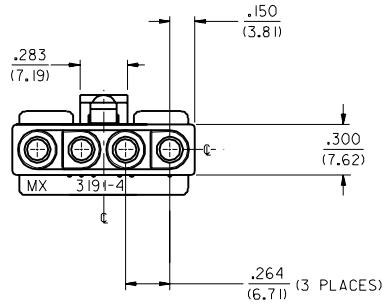
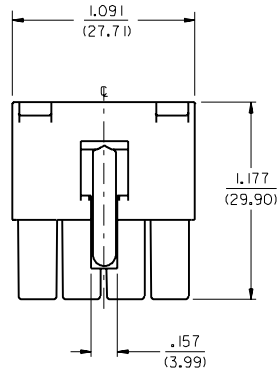
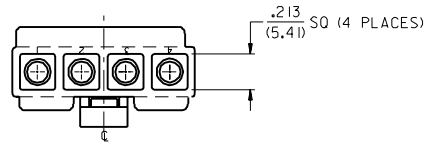
3	J3
2	J3
1	J3

REDRAWN ON CAD EC NO. UCR1998-0254 DRW: J. WANG 000607 CHK: WIRKUS 000607 APPR: R. EDGLEY 000607	QUALITY SYMBOLS MAJOR \blacktriangledown = 0 CRITICAL ∇ = 0	GENERAL TOLERANCES: (UNLESS SPECIFIED)		SCALE 2 : 1	DESIGN UNITS <input type="checkbox"/> mm <input checked="" type="checkbox"/> INCH	THIRD ANGLE PROJECTION <input type="checkbox"/> mm <input checked="" type="checkbox"/> INCH <input type="checkbox"/> mm ONLY	DIMENSIONS: <input type="checkbox"/> mm <input checked="" type="checkbox"/> INCH <input type="checkbox"/> mm ONLY	SHT REV
		4 PLACES ±0.--- ±.---	3 PLACES ±0.--- ±.010	2 PLACES ±0.25 ±.015	1 PLACE ±0.38 ±.---			
DRAWN BY & DATE J. WANG 98/08/24		CHECKED BY & DATE WIRKUS 98/08/24		APPROVED BY & DATE R. EDGLEY 98/08/24		TITLE: .093/(2.36) HOUSINGS PLUG AND RECEPTACLE 4-CKTS, .264/(6.70) CTRS		SHEET NO. 1 OF 3
CAD FILENAME S3191401.DGN		MATERIAL NO. SEE SHT. 3		DRAWING NO. SD -3191 -4*		MOLEX INCORPORATED		

13 12 11 10 9 8 7 6 5 4 3 2 3191

J
I
H
G
F
E
D
C
B
A

J
I
H
G
F
E
D
C
B
A



RECEPTACLE

EC NO. LCR1998-0254 DRWG: J.WANG 000607 CHK: B.WIRKUS 000607 APPR: R.EDGE 000607	QUALITY SYMBOLS MAJOR $\nabla=0$ CRITICAL $\nabla C=0$	GENERAL TOLERANCES: (UNLESS SPECIFIED)		SCALE 2 : 1	DESIGN UNITS <input type="checkbox"/> mm <input checked="" type="checkbox"/> INCH	DIMENSIONS: <input type="checkbox"/> mm <input checked="" type="checkbox"/> INCH <input type="checkbox"/> mm ONLY	SHT REV
		4 PLACES $\pm 0, - - -$ $\pm, - - -$ 3 PLACES $\pm 0, - - -$ $\pm, 0 10$ 2 PLACES $\pm 0, 25$ $\pm, 0 15$ 1 PLACE $\pm 0, 38$ $\pm, - - -$	DRAWN BY & DATE J.WANG 98/08/24 CHECKED BY & DATE B.WIRKUS 98/08/24 APPROVED BY & DATE R.EDGELEY 98/08/24	TITLE: .093/(2.36) HOUSINGS PLUG AND RECEPTACLE 4 CKT., .264/(6.70) CTRS		MATERIAL NO. SEE SHT.3	DRAWING NO. SD -3191 -4*
DRAFT WHERE APPLICABLE MUST REMAIN WITHIN DIMENSIONS	CAD FILENAME S3191402.DGN	THIS DRAWING CONTAINS INFORMATION THAT IS PROPRIETARY TO MOLEX INCORPORATED AND SHOULD NOT BE USED WITHOUT WRITTEN PERMISSION.					

	13	12	11	10	9	8	7	6	5	4	3	2	3191
	PLUG		RECEPTACLE										
J	PART NO.	ENG. NO.	PART NO.	ENG. NO.									
	19-09-2048	3191-4P	19-09-1049	3191-4R1									
	19-09-2049	3191-4P1	19-09-1046	3191-4R1-A									
	19-09-2047	3191-4P-A											
	19-09-2046	3191-4P1-A											
I													
H													
G													
F													
E													
D													
C													
B													
A													

LEGEND

3191-4*****

CIRCUIT SIZE

P = PLUG
R = RECEPTACLE

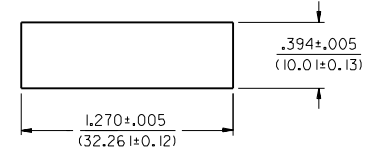
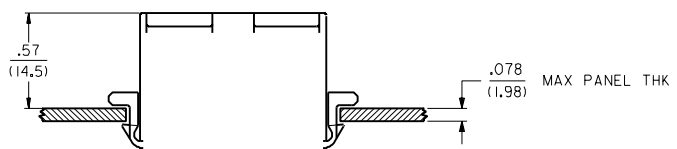
EARS: BLANK = WITH PREBENT EARS (PLUG ONLY)
I = WITHOUT EARS

COLOR: BLANK = NATURAL COLOR

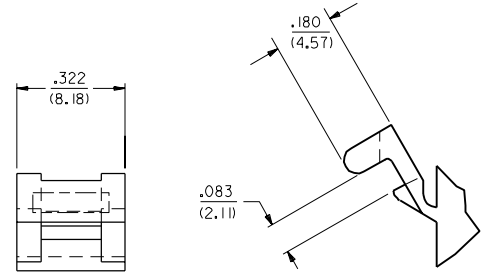
AM=AMBER BK=BLACK BU=BLUE
BN=BROWN GY=GRAY GN=GREEN
OR=ORANGE RD=RED YW=YELLOW

COLORS AVAILABLE ONLY IN 94V-2 MATERIAL

MATERIAL: BLANK=NYLON TYPE 6/6, 94V-2 COLOR:NATURAL
A=NYLON TYPE 6/6, 94V-0 COLOR:WHITE

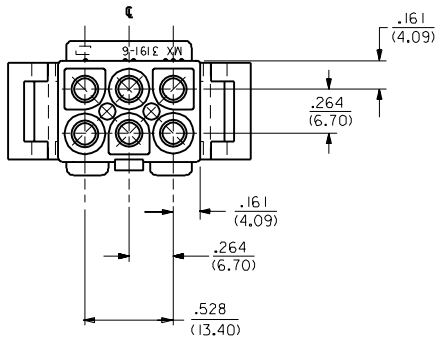
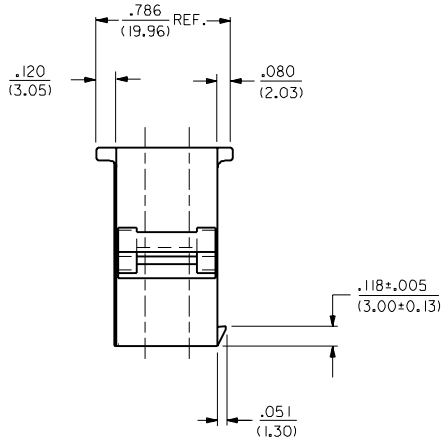
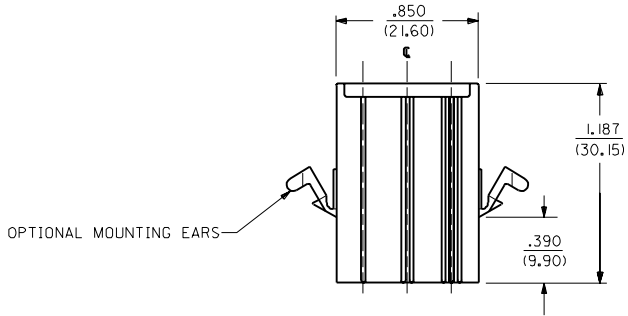
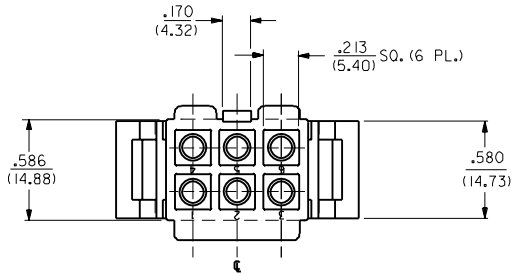


RECOMMENDED HOLE CUTOUT



DETAIL "A"
.093/(2.36) PREBENT MOUNTING EAR
(SCALE 4:1)

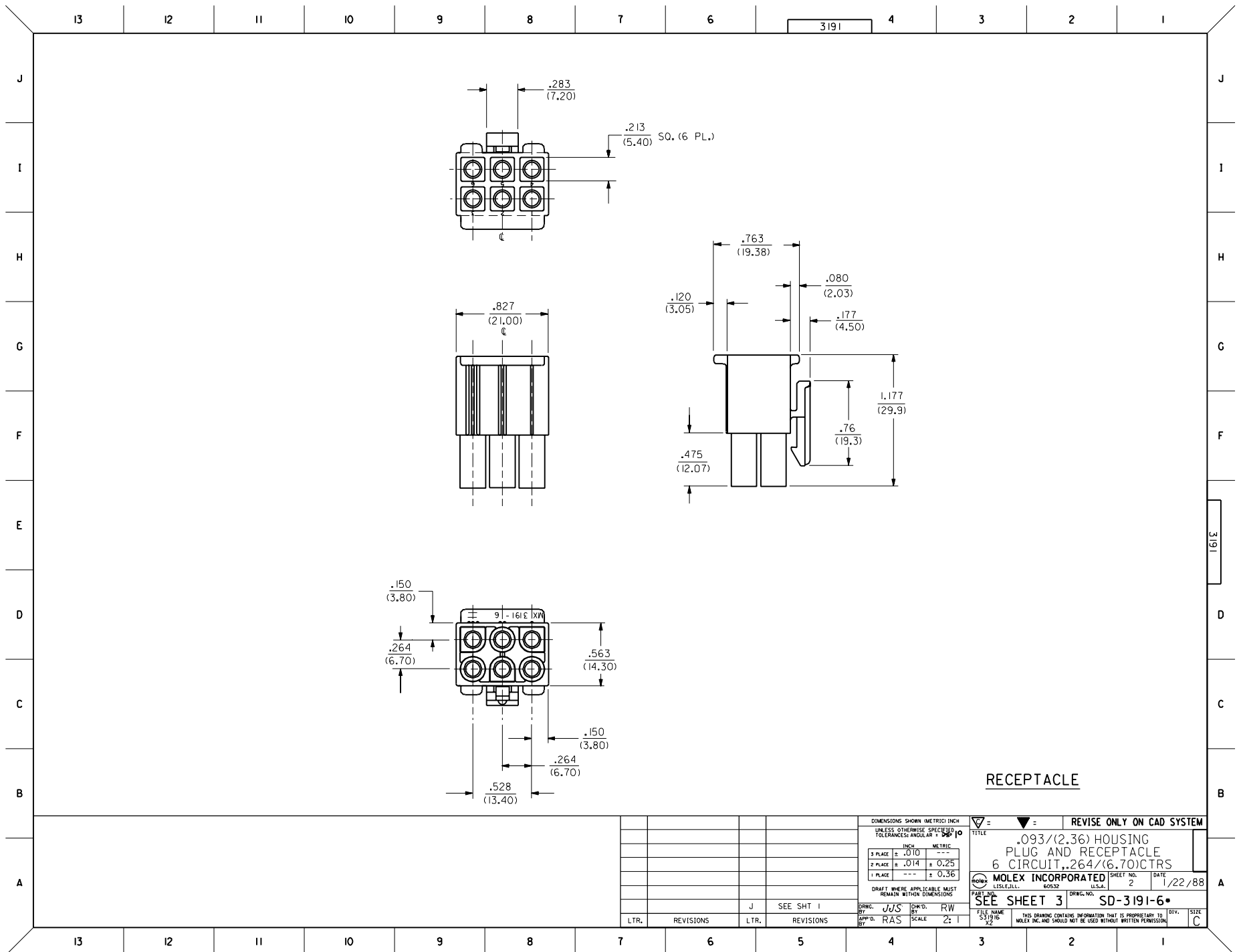
EC NO. LCR1998-0254 DRAWN BY J.WANG 000607 CHKD BY B.WIRKUS 000607 APPRD BY R.EDGLEY 000607	QUALITY SYMBOLS MAJOR = 0 CRITICAL = 0	GENERAL TOLERANCES: (UNLESS SPECIFIED)		SCALE 2 : 1	DESIGN UNITS <input type="checkbox"/> mm <input checked="" type="checkbox"/> INCH	THIRD ANGLE PROJECTION	DIMENSIONS: <input type="checkbox"/> mm <input checked="" type="checkbox"/> INCH <input type="checkbox"/> mm ONLY	SHT	REV
		4 PLACES ±0.--- ±.--- 3 PLACES ±0.--- ±.010 2 PLACES ±0.25 ±.015 1 PLACE ±0.38 ±.---	mm	INCH	DRAWN BY & DATE J.WANG 98/08/18	CHECKED BY & DATE B.WIRKUS 98/08/18	TITLE: .093/(2.36) HOUSINGS PLUG AND RECEPTACLE 4-CKTS, .264/(6.70) CTRS		
J3	DESCRIPTION REV	ANGULAR: ± 1 °		CAD FILENAME S3191403.DGN	MATERIAL NO. SEE SHT.3	DRAWING NO. SD -3191-4*	SHEET NO. 3		
		DRAFT WHERE APPLICABLE MUST REMAIN WITHIN DIMENSIONS		THIS DRAWING CONTAINS INFORMATION THAT IS PROPRIETARY TO MOLEX INCORPORATED AND SHOULD NOT BE USED WITHOUT WRITTEN PERMISSION.		MOLEX INCORPORATED		SIZE C	



PLUG

MI	ADD RAMP LENGTH ECN #U4 0293 3-1-94 RW
M	REVISED PER ECR # U90659 KBW 07-25-89 RW
L	ADDED STANDOFFS PER ECR UB 2271 GEP 11-30-88 RW
K	REV. & FINAL REL. ECR UB 1710 GEP 7-14-88 RW
J	REVISED & REDRAWN PER ECR UB 0122 2-2-88 SCHAFFER
MFG.	SH. REV. LTR. REVISIONS

DIMENSIONS SHOWN METRIC (INCH)		▽ = 0	▼ = 0	REVISE ONLY ON CAD SYSTEM
UNLESS OTHERWISE SPECIFIED TOLERANCES ANGULAR ± .04°		TITLE		
INCH METRIC		.093/(2.36) HOUSING PLUG AND RECEPTACLE 6 CKT. .264/(6.70) CTRS.		
3 PLACE ± .010	---	MOLEX INCORPORATED SHEET NO. DATE 1151EJLL 60532 U.S.A. 1 OF 3 1/25/88		
2 PLACE ± .014	± 0.25	PART NO. DRWG. NO.		
1 PLACE ---	± 0.36	SEE CHART SD-3191-6*		
DRAFT WHERE APPLICABLE MUST REMAIN WITHIN DIMENSIONS		FILE NAME S31916.X1 1/25/88		
DRWG. BY JUS	CHKD. BY RW	THIS DRAWING CONTAINS INFORMATION THAT IS PROPRIETARY TO MOLEX INC. AND SHOULD NOT BE USED WITHOUT WRITTEN PERMISSION.		
APP'D. RAS	SCALE 2 : 1	SIZE CP C		



RECEPTACLE

DIMENSIONS SHOWN (METRIC) INCH
UNLESS OTHERWISE SPECIFIED
TOLERANCES ANGLES ARE IN MILLIMETERS

	INCH	METRIC
3 PLACE	$\pm .010$	---
2 PLACE	$\pm .014$	± 0.25
1 PLACE	---	± 0.36

DRAFT WHERE APPLICABLE MUST REMAIN WITHIN DIMENSIONS

REVISIONS		REVISE ONLY ON CAD SYSTEM	
TITLE .093/(2.36) HOUSING PLUG AND RECEPTACLE 6 CIRCUIT, .264/(6.70) CTRS			
PART NO. SEE SHEET 3		DATE 1/22/88	
DRAWING NO. SD-3191-6*		SHEET NO. 2	
FILE NAME S31916		THIS DRAWING CONTAINS INFORMATION THAT IS PROPRIETARY TO MOLEX INC. AND SHOULD NOT BE USED WITHOUT WRITTEN PERMISSION	
SCALE 2:1		DYN. SIZE C	

DRWG. BY JUS	CHK'D. BY RW
APP'D. BY RAS	SCALE 2:1
LTR.	REVISIONS
LTR.	REVISIONS
J	SEE SHT 1

3191

PLUG		RECEPTACLE	
PART NO.	ENG. NO.	PART NO.	ENG. NO.
19-09-2068	3191-6P	19-09-1069	3191-6R1
19-09-2069	3191-6P1	19-09-1066	3191-6R1-201
19-09-2067	3191-6P-201	19-09-6060	3191-6R IRD
19-09-2066	3191-6P1-201	19-09-6069	3191-6R IBK
19-09-7069	3191-6PRD		
19-09-7068	3191-6PBK		

LEGEND:

3191-6****-*

CIRCUIT SIZE

P = PLUG

R = RECEPTACLE

EARS: BLANK = WITH PREBENT EARS (PLUG ONLY)

I = WITHOUT EARS

COLOR: BLANK = NATURAL COLOR

AM=AMBER BK=BLACK BU=BLUE

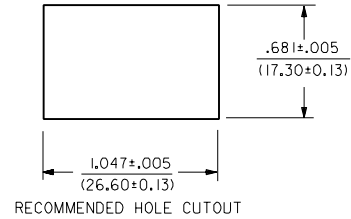
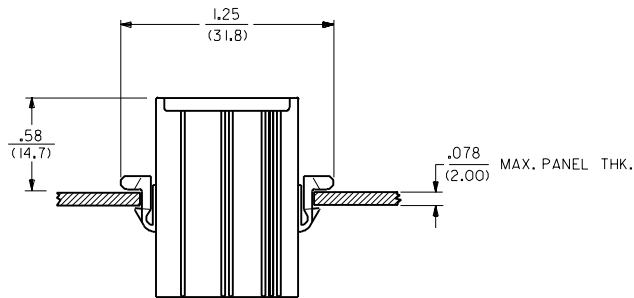
BN=BROWN GY=GRAY GN=GREEN

OR=ORANGE RD=RED YW=YELLOW

COLORS AVAILABLE ONLY IN 94V-2 MATERIAL

MATERIAL: BLANK=NYLON TYPE 6/6, 94V-2

201=NYLON TYPE 6/6, 94V-0



MOUNTING HOLE DETAIL

3191

DIMENSIONS SHOWN (METRIC) INCH		UNLESS OTHERWISE SPECIFIED TOLERANCES: ANGLES .015 + .005		REVISIONS		REVISIONS		REVISIONS		REVISIONS		REVISIONS		REVISIONS		REVISIONS		REVISIONS		REVISIONS	
3 PLACE	± .010	---		M	SEE SHEET 1	L	SEE SHT. 1	K	SEE SHT. 1	J	SEE SHT. 1										
2 PLACE	± .014	± 0.25																			
1 PLACE	---	± 0.36																			
DRAFT WHERE APPLICABLE MUST REMAIN WITHIN DIMENSIONS				DRWG. BY: JUS		CHK'D. BY: RW		APP'D. BY: RAS		SCALE: --:--		FILE NAME: S31916X3.DGN		MOLEX INCORPORATED		SHEET NO. 3		DATE 1/22/88		PART NO. SD-3191-6*	
SEE CHART												THIS DRAWING CONTAINS INFORMATION THAT IS PROPRIETARY TO MOLEX INC. AND SHOULD NOT BE USED WITHOUT WRITTEN PERMISSION									

TITLE: .093/(2.36) HOUSINGS PLUG AND RECEPTACLE 6 CKT., .264/(6.70) CTRS.

MOLEX INCORPORATED

SEE CHART SD-3191-6*

THIS DRAWING CONTAINS INFORMATION THAT IS PROPRIETARY TO MOLEX INC. AND SHOULD NOT BE USED WITHOUT WRITTEN PERMISSION