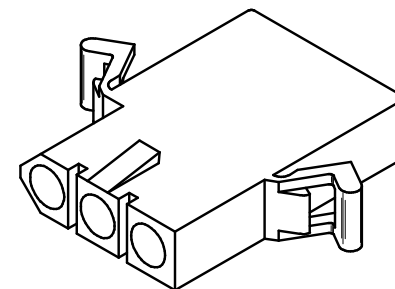
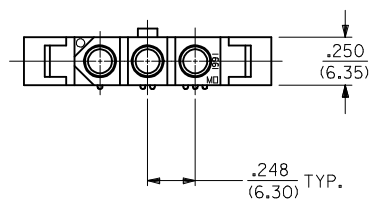
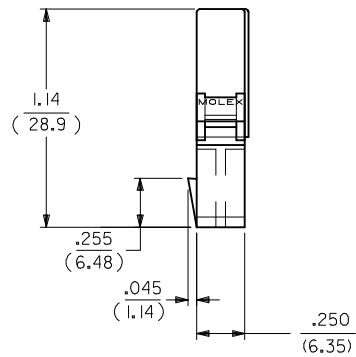
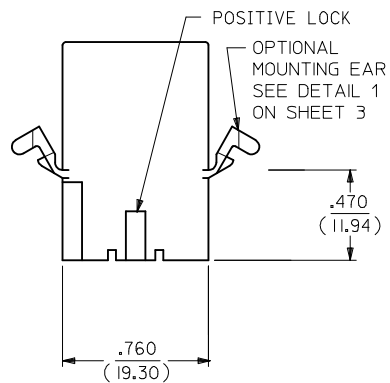
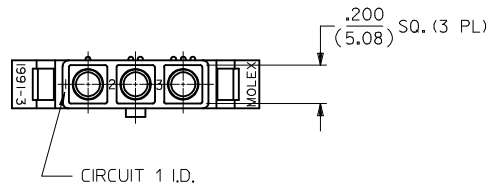


PLUG HOUSING

REMOVE OBSOLETE IEC NO: UCP2014-3949 DRWN:MKIPPER 2014/05/06 CHKD:HANDERSON 2014/05/06 APPR:FSMITH 2014/06/10	QUALITY SYMBOLS 	GENERAL TOLERANCES (UNLESS SPECIFIED)		DIMENSION STYLE	SCALE	DESIGN UNITS	THIRD ANGLE PROJECTION	
				IN/MM	2:1	INCH		
				DRAWN BY	DATE	TITLE		
				CHECKED BY	DATE	.093/(2.36) HOUSINGS, PLUG AND RECEPTACLE, 3 CKT, .248/(6.30) CTRS		
X1	DESCRIPTION REV	4 PLACES ± --- ± ---	mm	INCH	DATE	molex		
		3 PLACES ± --- ± .005			DATE	DOCUMENT NO.	SHEET NO.	
		2 PLACES ± 0.13 ± .010			DATE	SD-1991-3*	1 OF 3	
		1 PLACE ± 0.25 ± ---			APPROVED BY	THIS DRAWING CONTAINS INFORMATION THAT IS PROPRIETARY TO MOLEX INCORPORATED AND SHOULD NOT BE USED WITHOUT WRITTEN PERMISSION		
		0 PLACE ± --- ± ---			DATE			
		ANGULAR ± 1 °		MATERIAL NO.				
		DRAFT WHERE APPLICABLE MUST REMAIN WITHIN DIMENSIONS		SEE CHART				



RECEPTACLE HOUSING

SEE SHEET 1 EC NO: UCP2014-3949 DRWN:KIPPER 2014/05/06 CHKD:ANDERSON 2014/05/06 APPR:FSMITH 2014/06/10	QUALITY SYMBOLS ▽=0 ▽=0 ▽=0	GENERAL TOLERANCES (UNLESS SPECIFIED)		DIMENSION STYLE IN/MM	SCALE 2:1	DESIGN UNITS INCH	THIRD ANGLE PROJECTION	
		4 PLACES ± --- ± ---	3 PLACES ± --- ± .005	DRAWN BY GEP	DATE 1988/03/07	TITLE .093/(2.36) HOUSINGS, PLUG AND RECEPTACLE, 3 CKT, .248/(6.30) CTRS		
		2 PLACES ± 0.13 ± .010	1 PLACE ± 0.25 ± ---	CHECKED BY RW	DATE 1988/03/07	APPROVED BY molex		
		0 PLACE ± --- ± ---	ANGULAR ± 1°	APPROVED BY FSMITH	DATE 2014/06/10	MATERIAL NO. SEE CHART	DOCUMENT NO. SD-1991-3*	SHEET NO. 2 OF 3
X1	DRAFT WHERE APPLICABLE MUST REMAIN WITHIN DIMENSIONS	SIZE C		THIS DRAWING CONTAINS INFORMATION THAT IS PROPRIETARY TO MOLEX INCORPORATED AND SHOULD NOT BE USED WITHOUT WRITTEN PERMISSION				

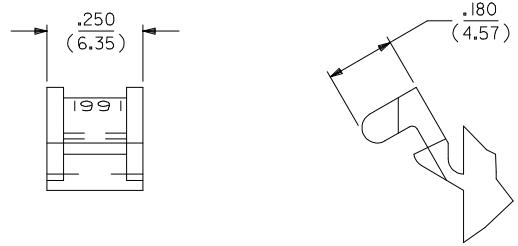
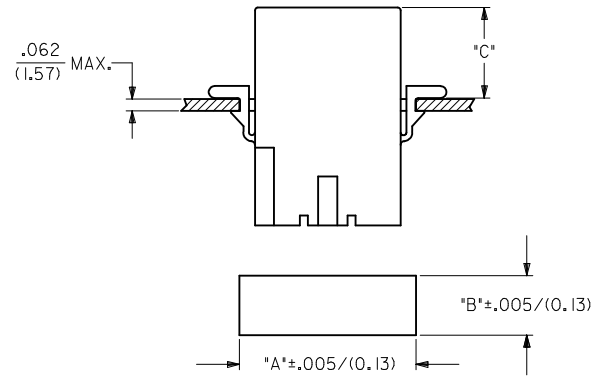
PLUG		
PART NO.	ENG. NO.	PKG. INFORMATION
19-09-2031	1991-3P	PK-1991-001
19-09-7031	1991-3PBK	PK-1991-001
19-09-7032	1991-3PIBK	PK-1991-001
19-09-2032	1991-3PI	PK-1991-002
19-09-7034	1991-3PIOR	PK-1991-001

RECEPTACLE		
PART NO.	ENG. NO.	PKG. INFORMATION
19-09-1032	1991-3RI	PK-1991-001
19-09-6031	1991-3RBK	PK-1991-001
19-09-6032	1991-3RIBK	PK-1991-001

LEGEND:

1991-3****
 CIRCUIT SIZE
 P = PLUG
 R = RECEPTACLE
 BLANK = PREBENT EARS
 PER DETAIL I
 I = WITHOUT EARS

COLOR: BLANK=NATURAL COLOR
 AM=AMBER BK=BLACK BU=BLUE
 BN=BROWN GY=GRAY GN=GREEN
 OR=ORANGE RD=RED YW=YELLOW



HOUSING	DIM. "A"	DIM. "B"	DIM. "C" STD. EAR	DIM. "C" PREBENT
PLUG	1.022/(25.96)	.365/(9.27)	.48/(12.2)	.52/(13.2)
RECEPTACLE	.920/(23.37)	.311/(7.90)	.47/(11.9)	.51/(12.9)

DETAIL I
 PREBENT MOUNTING EAR
 (SCALE 4:1)

- NOTES:
1. MATERIAL: NYLON TYPE 6/6, 94V-2.
 2. FINISH: NOT APPLICABLE
 3. PRODUCT SPECIFICATION: PS-02-09
 4. PACKAGING SPECIFICATION: SEE CHART
 5. ACCEPTS MOLEX .093/(2.36) SERIES TERMINALS.
 6. PARTS CONFORM TO CLASS B REQUIREMENTS OF COSMETIC SPECIFICATION PS-45499-002.

SEE SHEET 1 EC NO: UCP2014-3949 DRWN:KIPPER 2014/05/06 CHKD:ANDERSON 2014/05/06 APPR:FSMITH 2014/06/10	QUALITY SYMBOLS	GENERAL TOLERANCES (UNLESS SPECIFIED)	DIMENSION STYLE	SCALE	DESIGN UNITS	THIRD ANGLE PROJECTION
	▽=0	mm INCH	IN/MM	2:1	INCH	
	▽=0	4 PLACES ± --- ± ---	DRAWN BY DATE	.093/(2.36) HOUSINGS, PLUG AND RECEPTACLE, 3 CKT, .248/(6.30) CTRS molex		
	▽=0	3 PLACES ± --- ±.005	GEP 1988/03/07			
	2 PLACES ±0.13 ±.010	CHECKED BY DATE	SD-1991-3* 3 OF 3			
	1 PLACE ±0.25 ± ---	RW 1988/03/07				
	0 PLACE ± --- ± ---	APPROVED BY DATE	THIS DRAWING CONTAINS INFORMATION THAT IS PROPRIETARY TO MOLEX INCORPORATED AND SHOULD NOT BE USED WITHOUT WRITTEN PERMISSION			
		FSMITH 2014/06/10				
	ANGULAR ± 1°	MATERIAL NO.	DOCUMENT NO.			SHEET NO.
	DRAFT WHERE APPLICABLE MUST REMAIN WITHIN DIMENSIONS	SEE CHART	SD-1991-3*			3 OF 3